

SSC6 Six-Inch Round Seamless Indoor Cylinder

Integral Driver and Battery Backup



FEATURES

- Up to 4000 lumens (4000K)
- No visible seams or fasteners
- Tool-less field interchangeable optics
- Integral battery backup and integral driver
- Multiple housing colors
- 93 CRI with 2 SDCM

PERFORMANCE

Beam Spread: 15°, 25°, 40°, 50°, 72°, Wall Wash
CCT Options: 2700K, 3000K, 3500K, 4000K, 5700K
CRI: 93 CRI
Consistency: 2 SDCM (Luminaire to Luminaire)
Lumens: 1000 - 4000 lumens (nominal)
Lumen Maintenance: L70 > 70,000 hours

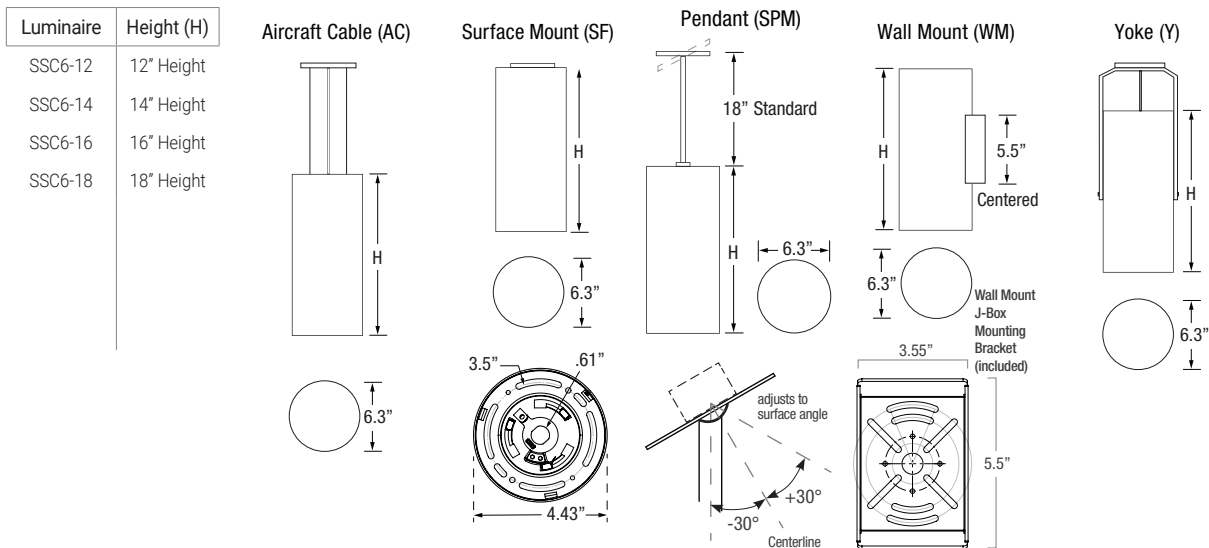
PHYSICAL

Mounting: Aircraft cable, cord, slope pendant, surface, wall, yoke with twist-lock canopy or through drywall using optional mud ring adapter.
Housing: No visible seams or fasteners, marine grade, corrosion resistant, solid aluminum extrusion, high pressure die-cast aluminum components, colored baffle.
Finish: Six stage chemical iron phosphate conversion pre-treatment. Polyester powder coat finish, 18 µm minimum, 3,000 hour salt spray test (ASTM B117) AAMA 2603 specification.
Warranty: 5-Year limited warranty
Lens: IK05 impact compliant, clear anti-glare tempered glass. The Soft Field Lens option provides diffusion, reduces glare, and enhances visual comfort.
Ingress Protection: Dry or damp locations IP43 rated
Weight: 4-10 lbs (Depending on Length)
Operating Temperature: -22°F to 122°F (-30°C to 50°C)

ELECTRICAL

Voltage: Universal 120 - 277 VAC
Power Supply: Integral Class II, electronic high-power factor >.90, THD < 20%, FCC Title 47 Part 15 Class A.
Power Consumption: Maximum 37W
Dimming: standard: 0-10V Dimming, 1%, optional: ET
Standards:
 • cETLus Listed, CE, NOM, and RoHS Compliant.
 • Tested to UL 1598 and UL 8750 standards / UL-Class I / IES LM-79 / LM-80 / FCC Part 15.

PHYSICAL DIMENSIONS



Date: _____
 Type: _____
 Fixture: _____
 Project: _____

Approved: _____

SSC6 Six-Inch Round Seamless Indoor Cylinder

PRODUCT CODE

EXAMPLE: SSC6-12-SPM18-UNV-930-10L-BKI-15-LD

MODEL	HEIGHT	MOUNTING	SUSP. LENGTH	VOLTAGE	COLOR	LUMENS	FINISH	OPTIC	DIMMING	OPTIONS	BATTERY				
SSC6															
MODEL SSC6		HEIGHT 12 12" Height 14 14" Height 16 16" Height 18 18" Height		COLOR 927 (93CRI) 2700K (Standard) 930 (93CRI) 3000K (Standard) 935 (93CRI) 3500K (Standard) 940 (93CRI) 4000K (Standard) 957 (93CRI) 5700K (Standard) 830 (83CRI) 3000K (60L Only) 840 (83CRI) 4000K (55L Only)		LUMENS nominal 10L 1000 lm (93 CRI Standard) 15L 1500 lm (93 CRI Standard) 20L 2000 lm (93 CRI Standard) 25L 2500 lm (93 CRI Standard) 30L 3000 lm (93 CRI Standard) 35L 3500 lm (93 CRI Standard) 40L 4000 lm (93 CRI Standard)		OPTIC nominal 15 Spot (15°) 25 Mid Spot (25°) 40 Narrow Flood (40°) 50 Flood (50°) 72 Wide Flood (72°) 15S Spot		w/SOFT FIELD 25S Narrow Flood 40S Mid Flood 50S Flood 72S Wide Flood WW Wall Wash (25° Optic Only)		DIMMING LD 0-10V Dimming, 1% (Standard) ET ELV or TRIAC Driver (Only 20L-45L) (120V Phase Dimming Only with UNV Driver) XA DMX Dim to 0.1% (Only 10L-50L) (SF, SPM and WM Only) E1 eldoLED 0-10V, Dim to 0.1%, Dim-to-Off (Only 05L-50L) E2 eldoLED DALI-2 Dim to 0.1% (Only 05L-50L) (SF, SPM and WM Only) L1 Lutron Hi-Lume 1% Ecosystem (Digital Dimming), Soft-on Fade-to-Black (10L-30L) L2 Lutron Hi-Lume 1% 2-Wire (Forward Phase Dimming) (10L-30L)		OPTIONS CO Surface Mount Conduit Adapter MRA Mud Ring Adapter BRB Bronze Baffle Finish (Black finish standard) SLB Silver Baffle Finish (Black finish standard) WHB White Baffle Finish (Black finish standard)	
MOUNTING AC Aircraft Cable SF Surface Mount SPM Pendant Mount WM Wall Mount Y Yoke (18" H Max)		AC/SPM SUSPENSION LENGTH Specify the optional suspension length in inches. (Top of luminaire to ceiling) (AC & CM 4"-120" Max, Field Adjustable) (SPM 18" Standard, 6"-120" Max; 61"-120" w/LD & ET Only and stem comes in 2 sections) *Consult factory & price guide for other lengths.		FINISH BKI Black BRI Bronze SLI Silver WHI White CCI Custom Color		BATTERY BBU Battery Backup, Integral (Standard)									
VOLTAGE UNV Universal 120 - 277 VAC															

SSC6 Six-Inch Round Seamless Indoor Cylinder

LUMENS / WATTAGE nominal

Model	Watts	940
SSC6	9 W	1000 lm
	13 W	1500 lm
	18 W	2000 lm
	23 W	2500 lm
	27 W	3000 lm
	32 W	3500 lm
	37 W	4000 lm

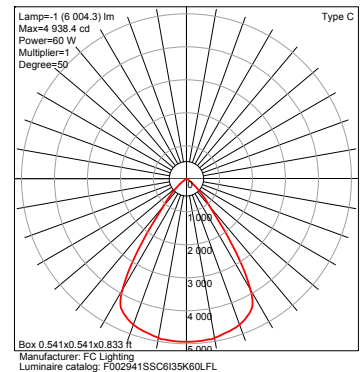
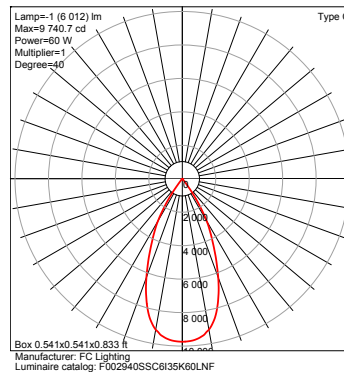
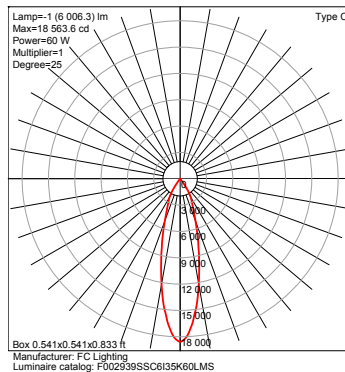
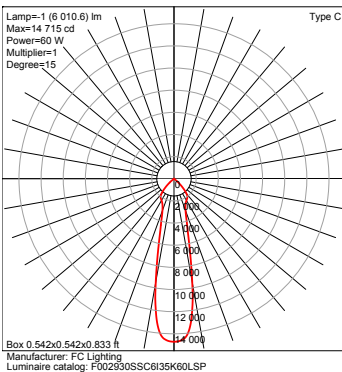
IES Multiplier	
Color	Multiplier
927	0.93
930	0.97
935	0.99
940	1.00

*83CRI≤1.15 Consult factory.

TRIAC & ELV Approved Dimmer List	
Manufacturer	Manufacturer Part Number
Lutron	Glyder GLV-600
	Diva DVLV-600P
	Diva DV-600P
	Diva DVELV-600P(303)
	Maestro MALV-600
	Nova T NT-1000
	Nova T NTELV-600
Leviton	Skylark SLV-600P
	RadioRA2-10ND
	SureSlide 6633
Illumatech IPE04	

0-10V Approved Dimmer List	
Manufacturer	Manufacturer Part Number
Lutron	Diva DVSTV-XX
	Diva DVSTV-453PH-WH1
Leviton	Illumatech 010-IP710-DLZ

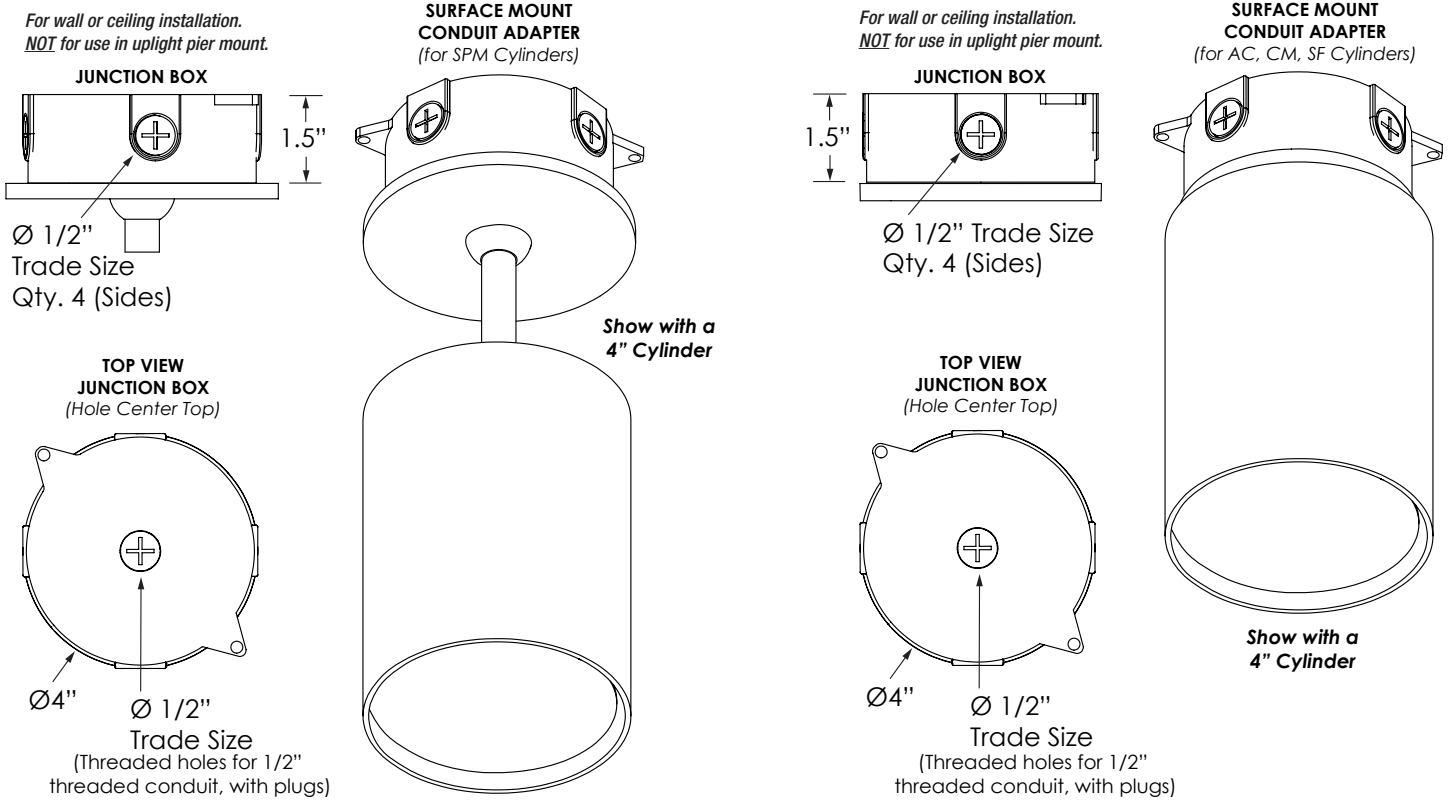
PHOTOMETRICS



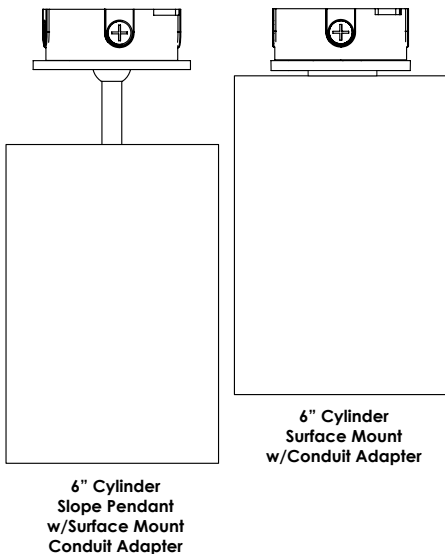
SSC6 Six-Inch Round Seamless Indoor Cylinder

CO Option

Surface Mount Conduit Adapter



Surface Mount Conduit Adapter can be added to any of the AC, CM, SF and SPM Mounts



SSC6 Six-Inch Round Seamless Indoor Cylinder

MRA Option

Mud Ring Adapter

