

Date: _____

Type: _____

Fixture: _____

Project: _____

Approved: _____

SSC4 Four-Inch Round Seamless Indoor Cylinder

Premium Drivers without Battery Backup



FEATURES

- Up to 5000 lumens (4000K)
- No visible seams or fasteners
- Tool-less field interchangeable optics
- Quick twist-lock mounting
- Multiple housing colors
- 93 CRI with 2 SDCM

PERFORMANCE

Beam Spread: 15°, 25°, 50°, 72°, 90°, Wall Wash
CCT Options: 2700K, 3000K, 3500K, 4000K, TW, DW
CRI: 93 CRI
Consistency: 2 SDCM (Luminaire to Luminaire)
Lumens: 500 - 5000 lumens (typical)
Lumen Maintenance: L70 > 70,000 hours

PHYSICAL

Mounting: Aircraft cable, cord, slope pendant, surface, wall with twist-lock canopy or through drywall using optional mud ring adapter.

Housing: No visible seams or fasteners, marine grade, corrosion resistant, solid aluminum extrusion, high pressure die-cast aluminum components, colored baffle.

Finish: Six stage chemical iron phosphate conversion pre-treatment. Polyester powder coat finish, 18 µm minimum, 3,000 hour salt spray test (ASTM B117) AAMA 2603 specification.

Warranty: 5-Year limited warranty

Lens: IK05 impact compliant, clear anti-glare tempered glass. The Soft Field Lens option provides diffusion, reduces glare, and enhances visual comfort.

Ingress Protection: Dry or damp locations IP43 rated

Weight: 3-7 lbs (Depending on Length)

Operating Temperature: -22°F to 104°F (-30°C to 40°C)

ELECTRICAL

Voltage: Universal 120 - 277 VAC

Power Supply: Integral Class II, electronic high-power factor >.90, THD < 20%, FCC Title 47 Part 15 Class A.

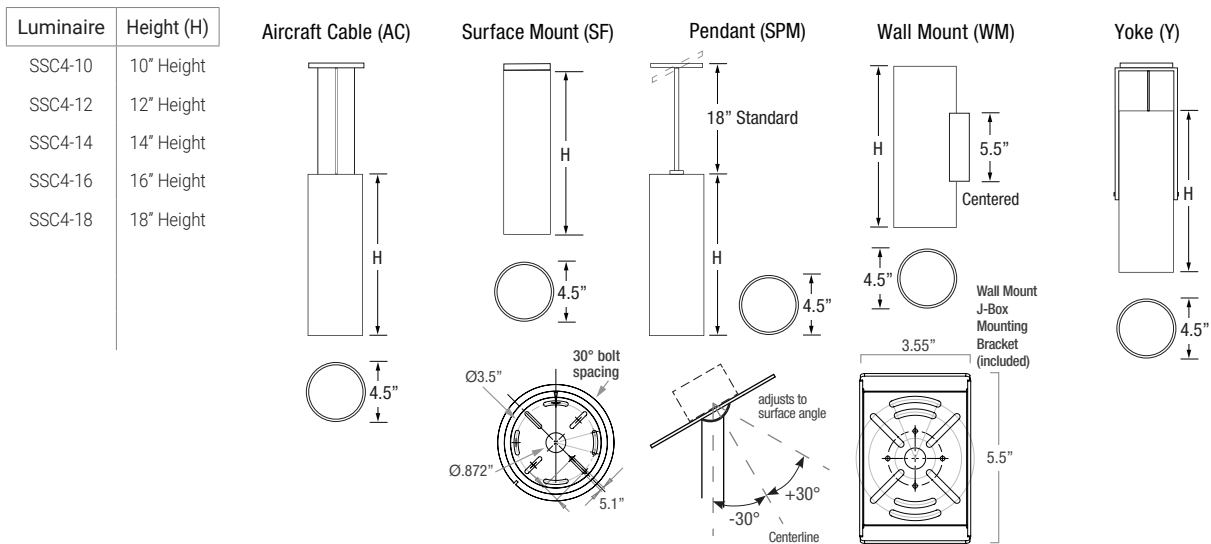
Power Consumption: Maximum 55W

Dimming: XA, E1, E2, L1, T1, W1

Standards:

- cETLus Listed and RoHS Compliant.
- Tested to UL 1598 and UL 8750 standards / UL-Class I / IES LM-79 / LM-80 / FCC Part 15.

PHYSICAL DIMENSIONS



SSC4 Four-Inch Round Seamless Indoor Cylinder

PRODUCT CODE

EXAMPLE: SSC4-10-SPM18-UNV-930-10L-BKI-15-XA

MODEL	HEIGHT	MOUNTING	SUSP. LENGTH	VOLTAGE	COLOR	LUMENS	FINISH	OPTIC	DIMMING	OPTIONS		
SSC4												
MODEL SSC4		HEIGHT 10 10" Height 12 12" Height 14 14" Height 16 16" Height 18 18" Height			COLOR* 927 (93CRI) 2700K 930 (93CRI) 3000K 935 (93CRI) 3500K 940 (93CRI) 4000K TW Tunable White (2700K-6500K) DW Dim-to-Warm (1850K-3100K) *Other CCT/CRI options available upon request		OPTIC typical 15 Spot (15°) (45L Max) 25 Narrow Flood (25°) 50 Flood (50°) 72 Wide Flood (72°) 90 Very Wide Flood (90°)				w/SOFT FIELD* 15S Spot (45L Max) 25S Narrow Flood 50S Flood 72S Wide Flood 90S Very Wide Flood WW Wall Wash (25° Only) *Soft Field average light loss factor is 0.945	
MOUNTING AC Aircraft Cable SF Surface Mount SPM Slope Pendant Mount WM Wall Mount Y Yoke (12" Max)		AC/CM/SPM SUSPENSION LENGTH Specify the optional suspension length in inches. (Top of luminaire to ceiling) (AC & CM 4"-120" Max, Field Adjustable) (SPM 18" Standard, 6"-120" Max; 61"-120" w/LD & ET Only and stem comes in 2 sections) *Consult factory & price guide for other lengths.			LUMENS typical 05L 500 lm 10L 1000 lm 15L 1500 lm 20L 2000 lm 25L 2500 lm 30L 3000 lm 35L 3500 lm 40L 4000 lm 45L* 4500 lm (Min 12" H) 50L 5000 lm (Min 12" H) *15 and 15S Beam Angle: 45L Min 14" H		DIMMING XA DMX Dim to 0.1% E1 eldoLED 0-10V, Dim to 0.1%, Dim-to-Off E2 eldoLED DALI-2 Dim to 0.1% L1 Lutron Hi-Lume 1% Ecosystem (Digital Dimming), Soft-on Fade-to-Black (15 and 15S Beam Angles Max 35L, others Max 40L) T1* 0.1%, 0-10V, Tunable White (Only TW) (Max 30L) (30L Min 14" H) (Not available in 15, 15S beam angles) W1 0.1%, 0-10V, Dim-to-Warm (Only DW) (Max 15L) * TW version uses two 0-10V signals; one for CCT control, one for intensity					
VOLTAGE UNV Universal 120 - 277 VAC					FINISH BKI Black BRI Bronze SLI Silver WHI White CCI Custom Color		OPTIONS CO Surface Mount Conduit Adapter HC* Honeycomb Louver MRA Mud Ring Adapter BRB Bronze Baffle Finish (Black finish standard) SLB Silver Baffle Finish (Black finish standard) WHB White Baffle Finish (Black finish standard) *Honeycomb Louver average light loss factor is 0.538					

Due to continuous development and improvements, specifications are subject to change without notice. Product use certifies agreement to Solid State Luminaires terms and conditions.

SSC4 Four-Inch Round Seamless Indoor Cylinder

LUMENS / WATTAGE typical

Model	Watts	Lumens
SSC4	6.4 W	500 lm
15° Only	10 W	1000 lm
	13 W	1500 lm
	22 W	2000 lm
	27 W	2500 lm
	32 W	3000 lm
	40 W	3500 lm
	48 W	4000 lm
	55 W	4500 lm

Model	Watts	Lumens
SSC4	6.3 W	500 lm
Other Beam Angles	10 W	1000 lm
	14 W	1500 lm
	19 W	2000 lm
	25 W	2500 lm
	28 W	3000 lm
	34 W	3500 lm
	40 W	4000 lm
	45 W	4500 lm
	51 W	5000 lm

IES Multiplier	
Color	Multiplier
927	0.92
930	0.95
935	0.98
940	1.00

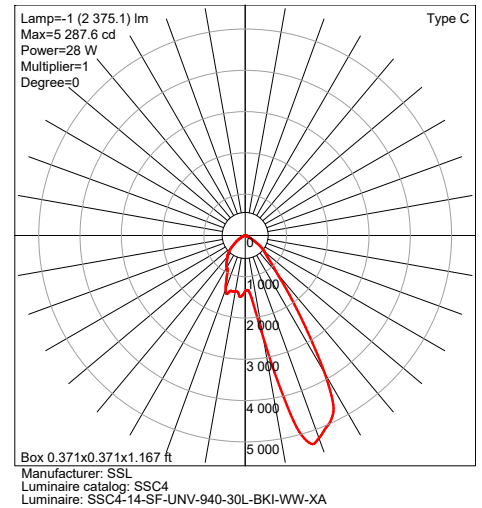
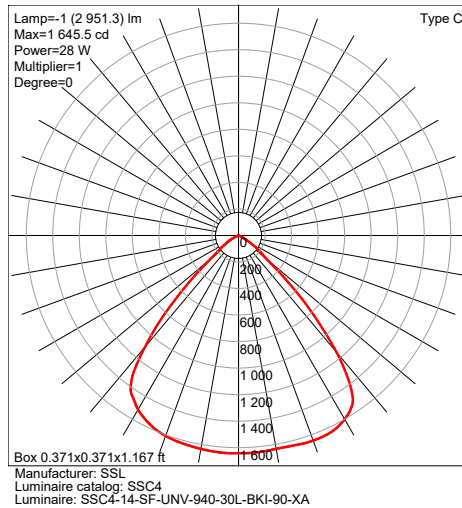
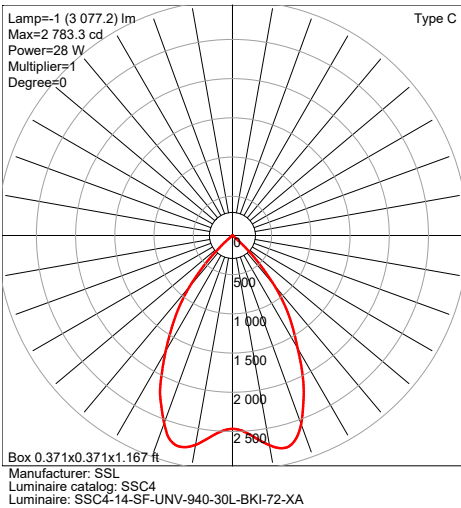
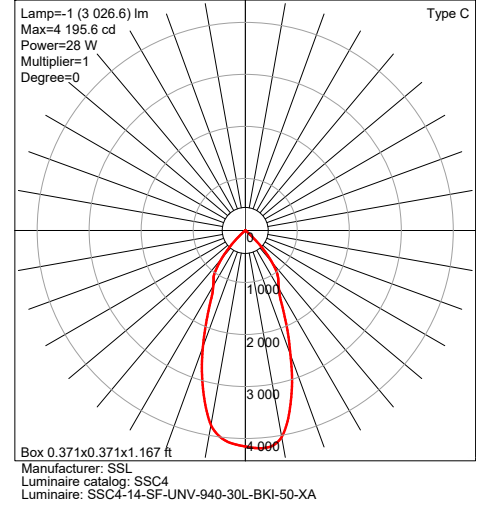
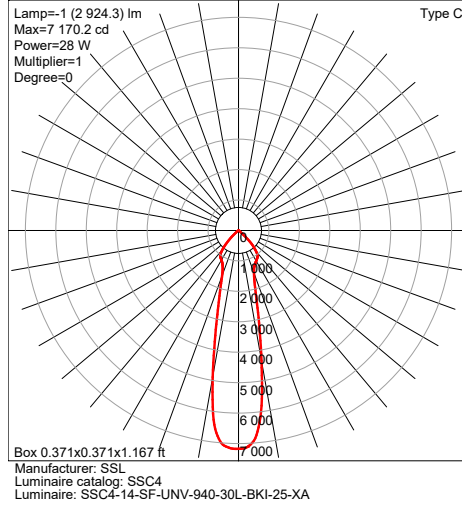
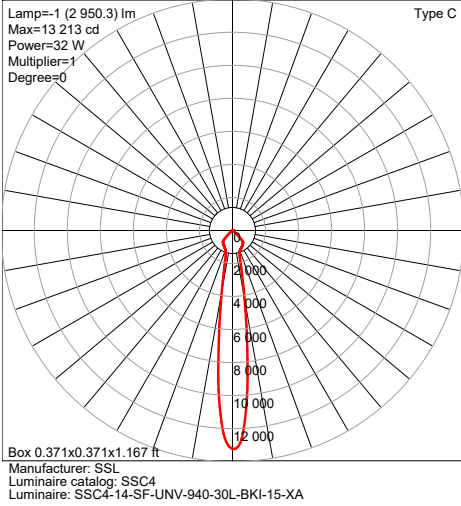
*83CRI@1.15 Consult factory.

TRIAC & ELV Approved Dimmer List	
Manufacturer	Manufacturer Part Number
Lutron	Glyder GLV-600
	Diva DVLV-600P
	Diva DV-600P
	Diva DVELV-600P(303)
	Maestro MALV-600
	Nova T NT-1000
	Nova T NTELV-600
	Skylark SLV-600P
Leviton	RadioRA2-10ND
	SureSlide 6633 Illumatech IPE04

0-10V Approved Dimmer List	
Manufacturer	Manufacturer Part Number
Lutron	Diva DVSTV-XX
	Diva DVSTV-453PH-WH1
Leviton	Illumatech 010-IP710-DLZ

SSC4 Four-Inch Round Seamless Indoor Cylinder

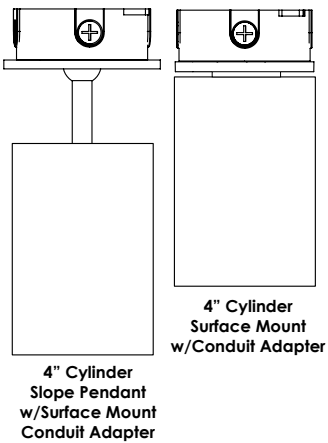
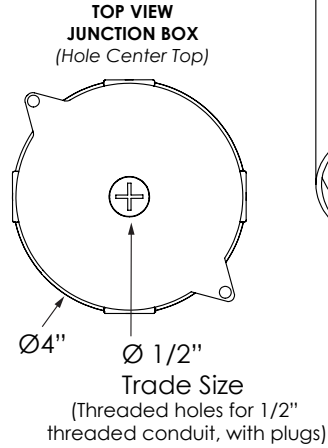
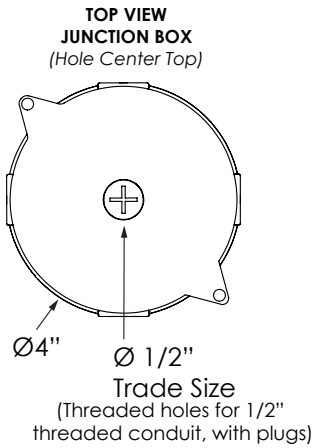
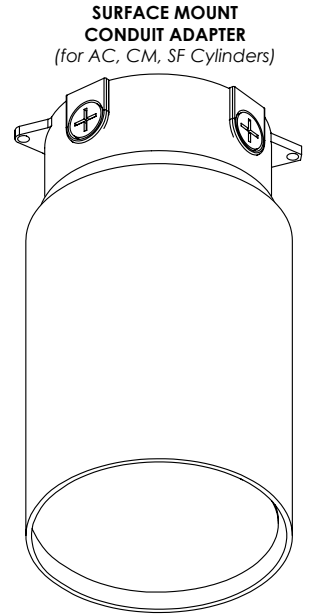
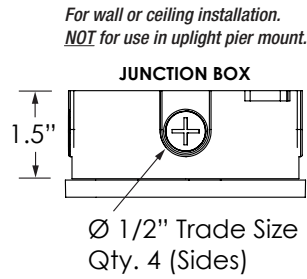
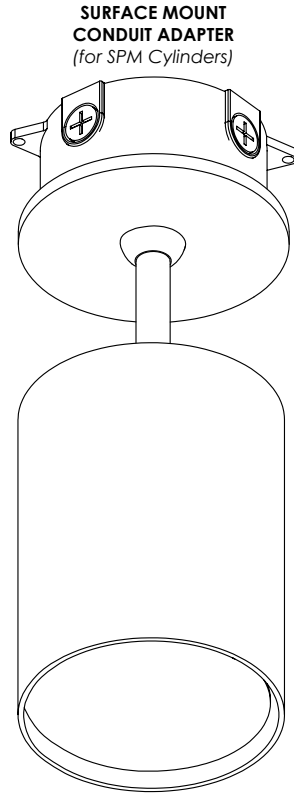
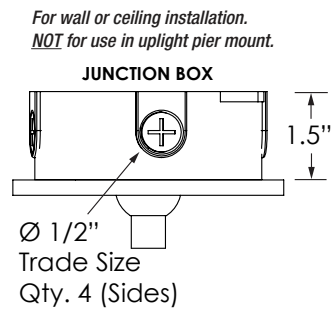
PHOTOMETRICS



SSC4 Four-Inch Round Seamless Indoor Cylinder

CO Option

Surface Mount Conduit Adapter



Surface Mount Conduit Adapter can be added to any of the AC, CM, SF and SPM Mounts

SSC4 Four-Inch Round Seamless Indoor Cylinder

MRA Option

Mud Ring Adapter

