

MINI COVELINE — INSTALLATION INSTRUCTIONS

CAUTION: BEFORE CONNECTING THE LUMINAIRE TO A POWER SUPPLY, MAKE SURE THE POWER IS SWITCHED OFF.

DETAILED ILLUSTRATION



GENERAL:

1. Make sure all electricity has been turned off and electrical breaker has been locked out and tagged out.
2. To ensure the success of the installation, be sure to read these instructions and review the diagrams thoroughly before beginning.
3. All electrical connections must be in accordance with local codes, ordinances, or the National Electrical Code.

NOTE: The important safeguards and instructions appearing in this manual are not meant to cover all possible conditions and situations that may occur.

INSTALLATION:

1. Determine where your run or first luminaire will start and prepare your Starter Cable.

NOTE: Starter Cable (SC6) and Terminator Cap (TCAP) are required for every run. (FIG-1).

IMPORTANT: TCAP affixes at the end of the run and snaps in place.

2. Secure mounting bracket(s) to intended surface using appropriate fasteners.

NOTE: The mounting brackets are attached to the MiniCove luminaire. Rotate the luminaire away from the bracket to expose the screw holes on the top of the mounting bracket, then fasten bracket to surface. (FIG-3)

3. MiniCove can be slid back and forth in the mounting bracket for easier end-to-end connection. Repeat steps 1-3 for mounting multiple luminaires. Luminaires connect end-to-end. (FIG-1)

NOTE: 1 foot luminaire has (1) Mounting Bracket and the 4 foot luminaire has (2) brackets.

IMPORTANT: Improperly installed brackets will void the warranty.

4. Use Extension Cable when necessary, for corners and extending luminaire runs. (FIG-2)
5. After brackets are properly installed and luminaires are at desired step adjustment angle, push in hex screw and tighten to lock in position.

IMPORTANT: DO NOT exceed product's **Maximum Run Length**. (FIG-4)

- MiniCove (MC) - 80 ft (120V), 120 ft (277V)

CAUTION: Before connecting the luminaire(s) to power make sure power is off.

NOTE: DO NOT connect power until luminaires are properly mounted, connected and wired.

6. **FOR DIMMING:** Use standard electronic low-voltage trailing edge dimmer (ELV). Product dimmable to 0% full brightness. Refer to specific manufacturer for wiring and operation information.

NOTE: For Dimmer, check Watt limitation and current leakage restriction.

7. Once all luminaires are mounted, connected and wired correctly turn power on at the breaker box.

8. Power the luminaires on.

9. If troubleshooting is necessary, turn power off again at breaker box—lock out and tag out.

FIG-1

120–277V Universal Voltage

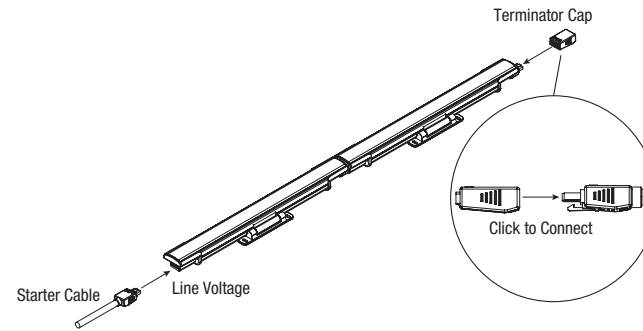


FIG-2

EXTENSION CABLE (6 inch, 1, 2, and 5 FT Lengths)

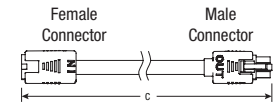
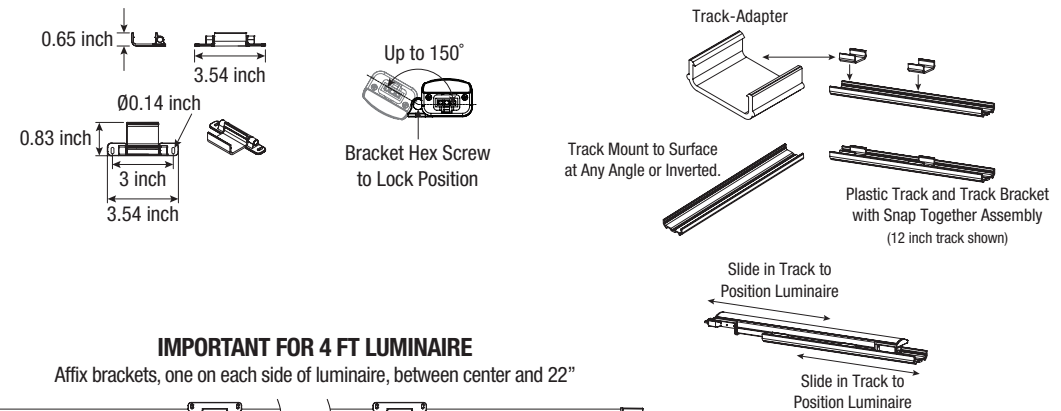
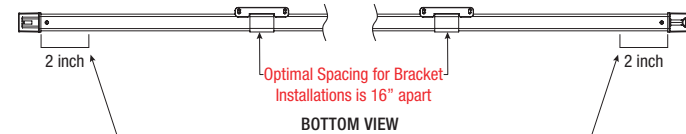


FIG-3



IMPORTANT FOR 4 FT LUMINAIRE

Affix brackets, one on each side of luminaire, between center and 22"



TO PREVENT VOIDING THE WARRANTY, DO NOT INSTALL BRACKETS WITHIN 2" FROM THE LUMINAIRE ENDS

FIG-4

MAXIMUM RUN LENGTH

80 FT (120V) and 120 FT (277V)

