

## MINI COVELINE



<b>Date:</b>	<b>Approved:</b>
<b>Type:</b>	
<b>Luminaire:</b>	
<b>Project:</b>	

The **MINI COVELINE** is a very slim profile luminaire, less than 1 inch tall, that's perfect for tight spaces that require a maximum range of light output. **MINI COVELINE** is available in 1 ft or 4 ft lengths with 27K, 3K, 35K or 4K color temperatures. The housing is constructed of extruded aluminum with tooled end caps and is rated for dry and damp locations. It's Chicago Code Compliant meeting the standards for application use in Chicago, IL. and features Plug N' Play connectors for easy installation. Standard bracket has 135° rotation capability for adjusting beam direction. Flicker free dimmable to 0% full brightness with ELV trailing edge dimming.



QuickShip max order = 25 pcs

### SPECIFICATIONS

#### PHYSICAL

<b>beam spread</b>	60°, 120°
<b>LEDs per foot</b>	14 per foot
<b>dimensions</b>	12" x 1.28" x .95", 48" x 1.28" x .95"
<b>weight</b>	1 foot (0.75 lbs), 4 foot (3 lbs)
<b>housing</b>	extruded aluminum housing with tooled end caps
<b>lens</b>	<b>standard:</b> etched polycarbonate
<b>mounting</b>	<b>standard:</b> surface mount bracket with 135° rotation
<b>ingress protection</b>	IP44 rated for damp and dry interior locations
<b>luminaire connections</b>	daisy chain with male and female, 3-PIN, plug-n-play connectors

#### PERFORMANCE

<b>lumen output (all on)</b>	532 lm/ft, 541 lm/ft, 553 lm/ft, 564 lm/ft
<b>lumen maintenance</b>	≥ 70,000 hours, L70
<b>operating temperature</b>	-4°F to 104°F (-20°C to 40°C)
<b>color consistency</b>	2 SDCM / <b>standard:</b> 87 CRI, <b>optional:</b> 90 CRI
<b>warranty</b>	5-Year limited warranty (refer to website for details)

#### ELECTRICAL

<b>input voltage</b>	Universal 120 – 277 VAC
<b>power supply</b>	Integral Class II, electronic high-power factor 98% @ 120V
<b>certification</b>	ETL / cETL listed, CEC Title 24 - JA8 Compliant
<b>standards</b>	UL 1598, CSA Std C22.2 No. 250.0, IESLM-79/LM-80, FCC Part 15
<b>power consumption</b>	1 ft @ full power (4.9W), 4 ft @ full power (19.6W)
<b>dimming</b>	Dimmable to 0%, (ELV) electronic low-voltage trailing edge, synchronized w/soft shut-off, optional 0-10V Dim Module

# Ordering Information





Select options next to clock symbol to qualify your order.

QuickShip max order = 25 pcs

## PART NUMBERS

MC									
MODEL	LENGTH	CCT		CRI		OPTICS			
☑ MC MINI COVELINE	☑ 1 12 in. [305 mm]	27K	2700K	CRI80	80 CRI	60	60° beam		
	☑ 4 48 in. [1219 mm]	☑ 3K	3000K	☑ CRI90	90 CRI	☑ 120	120° beam		
		☑ 35K	3500K						
		4K	4000K						

## Cable Accessories (Indicate the quantity needed for each item.)

**REQUIRED:** Starter Cable (SC6) and Terminator Cap (TCAP) for every run. **Maximum Run Length** = 80 feet @ 120V AC

- ☑ \_\_\_\_\_ SC6 6 ft. Starter Connection Cord
- ☑ \_\_\_\_\_ TCAP Terminator Cap
- ☑ \_\_\_\_\_ EC06 6 in. Extension Cord
- ☑ \_\_\_\_\_ EC12 12 in. Extension Cord
- ☑ \_\_\_\_\_ EC24 24 in. Extension Cord
- ☑ \_\_\_\_\_ EC60 60 in. Extension Cord

## Mounting Options (Indicate the quantity needed for each item.) Each luminaire includes Surface Mount Bracket with 135° rotation.

- \_\_\_\_\_ SSL-TRK1 Mounting Track 12 inch
- \_\_\_\_\_ SSL-TRK4 Mounting Track 48 inch
- \_\_\_\_\_ TRK-ADAPTER Required Track Adapter for Mounting Track (2 per 1ft, 4 per 4ft)

## Use Module Only to Convert 0-10V Signal to ELV Dimming

DIMO-10VELV is a dimming module that converts a 0-10V dimming signal to an ELV (electronic low-voltage) reverse phase dimming signal for ELV dimmable lighting products.

## Control Components (Indicate the quantity needed for each item.) (1 module per run) (Indoor rated)

**REQUIRED:** Starter Cable (SC6) and Terminator Cap (TCAP) for every run.

- ☑ \_\_\_\_\_ DIMO-10VELV-UNV-OJBM-IJBM-BLA 0-10V ELV Dim Module, Output Junction Box Mount (12" lead wire), Input Junction Box Mount (12" lead wire), Interior Rated Enclosure, Black Anodized Alum.
- ☑ \_\_\_\_\_ DIMO-10VELV-UNV-OCPPM-ICPPM-BLA 0-10V ELV Dim Module, Output Conduit Pipe Mount (96" lead wire), Input Conduit Pipe Mount (96" lead wire), Interior Rated Enclosure, Black Anodized Alum.

**REQUIRED:** Extension Cord (ECXX) XX=06, 12, 24, or 60 Inch Lengths (Pick Length to use based on 1st luminaire to DIMO-10VELV unit distance) and Terminator Cap (TCAP) for every run.

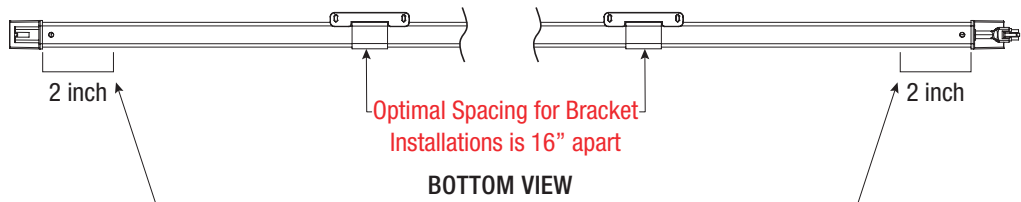
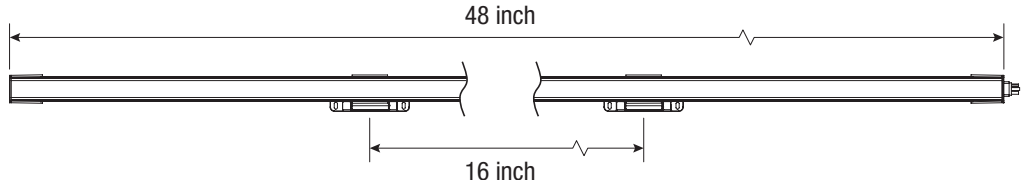
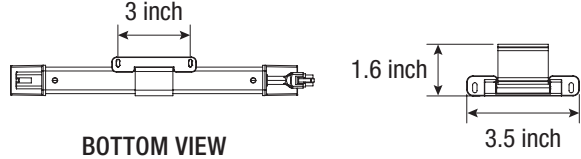
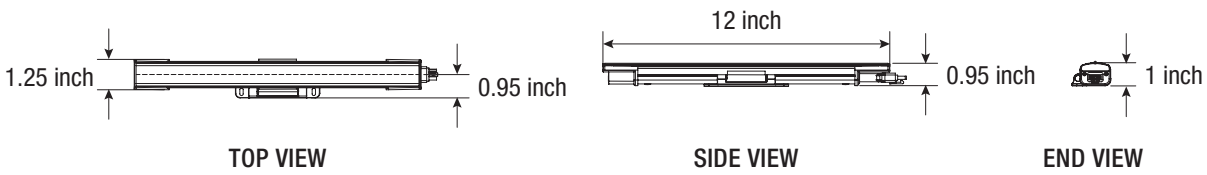
- \_\_\_\_\_ DIMO-10VELV-UNV-OSCM-IJBM-BLA 0-10V ELV Dim Module, Output Starter Cord Mount (6" lead wire), Input Junction Box Mount (6" lead wire), Interior Rated Enclosure, Black Anodized Alum.

# Standard Dimensions



**DIMENSIONS WITH STANDARD BRACKET**

	1 ft	4 ft
<b>length</b>	12" W	48" W
<b>width</b>	1.28" W	1.28" W
<b>width w/ bracket</b>	1.66" D	1.66" D
<b>height</b>	.86" D	.86" D
<b>height w/ bracket</b>	.95" D	.95" D



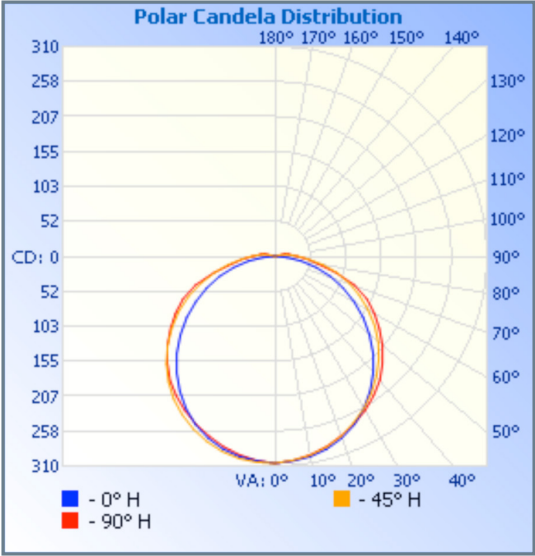
Optimal Spacing for Bracket Installations is 16" apart

**TO PREVENT VOIDING THE WARRANTY, DO NOT INSTALL BRACKETS WITHIN 2" FROM THE LUMINAIRE ENDS**



## Photometry

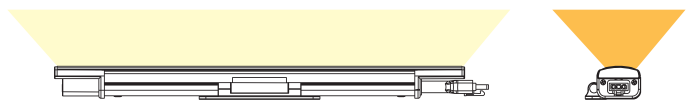
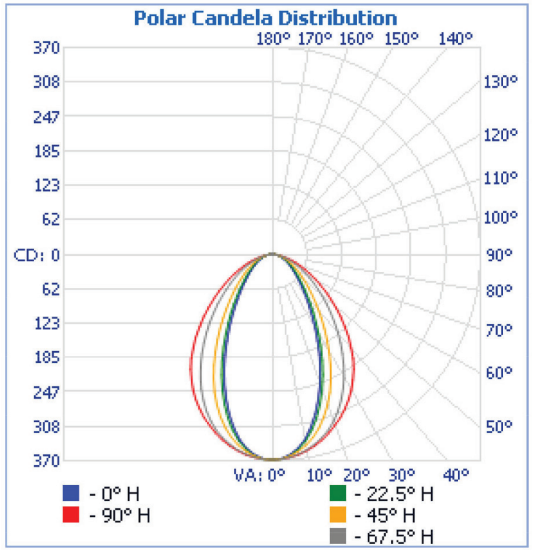
MC 1FT 4K 120°



	Center Beam fc	Beam Width	
1.7ft	106 fc	5.0 ft	6.9 ft
3.3ft	28.1 fc	9.8 ft	13.4 ft
5.0ft	12.2 fc	14.8 ft	20.3 ft
6.7ft	6.81 fc	19.8 ft	27.2 ft
8.3ft	4.44 fc	24.5 ft	33.7 ft
10.0ft	3.06 fc	29.6 ft	40.6 ft

■ Vert. Spread: 111.8°  
■ Horiz. Spread: 127.5°

MC 1FT 4K 60°



	Center Beam fc	Beam Width	
10.0ft	3.68 fc	10.0 ft	19.8 ft
20.0ft	0.92 fc	19.9 ft	39.6 ft
30.0ft	0.41 fc	29.9 ft	59.4 ft
40.0ft	0.23 fc	39.8 ft	79.2 ft
50.0ft	0.15 fc	49.8 ft	99.0 ft
60.0ft	0.10 fc	59.7 ft	118.9 ft

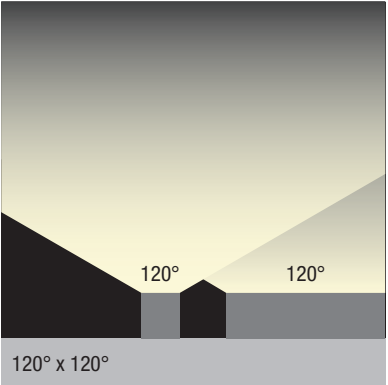
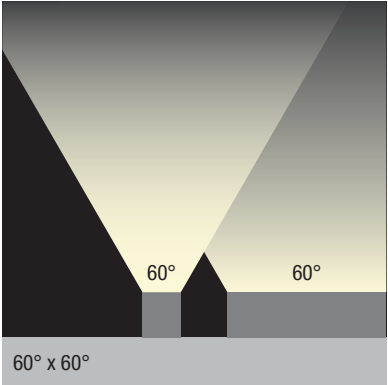
■ Vert. Spread: 52.9°  
■ Horiz. Spread: 89.5°

Due to continuous development and improvements, specifications are subject to change without notice. Product use certifies agreement to Solid State Luminaires terms and conditions.



# Photometry

**AVAILABLE OPTICS** FIND IES FILES ON [SOLIDSTATELUMINAIRES.COM](http://SOLIDSTATELUMINAIRES.COM)



**PERFORMANCE**

Model	Connected Wattage	Color Temperature			
		2700K	3000K	3500K	4000K
MC-1	4.9	532	541	553	564
MC-4	19.6	2128	2164	2212	2256

Due to continuous development and improvements, specifications are subject to change without notice.  
 Product use certifies agreement to Solid State Luminaires terms and conditions.

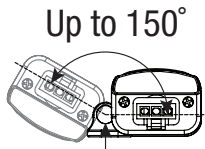
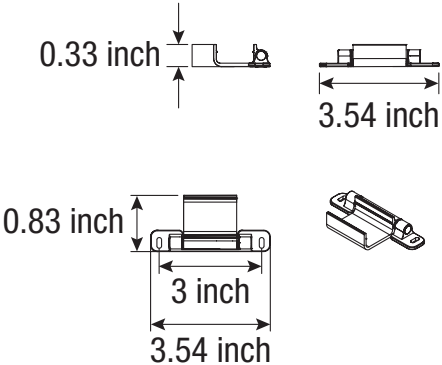


# Mounting Options

## STANDARD ADJUSTABLE BRACKET

Minimum Bracket Requirements			
MC-1	1	MC-4	2

- 150° Standard Adjustable Bracket
- Step adjustments at 15° increments
- Locks in position with hex screw

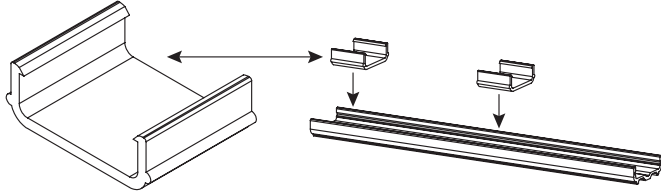


Up to 150°  
Bracket Hex Screw  
to Lock Position

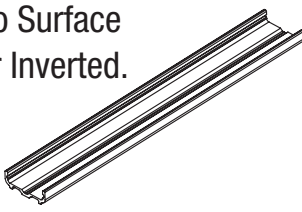
## OPTIONAL TRACK MOUNTING KIT (SSL-TRK1 & SSL-TRK4) (Kit includes track & adapter brackets)

TRK-ADAPTER Bracket Requirements			
SSL-TRK1	1	SSL-TRK4	2

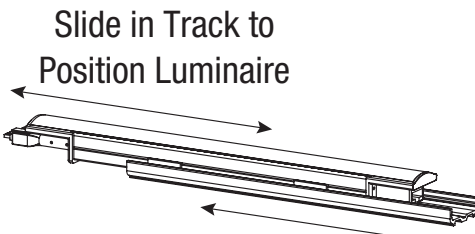
### Track-Adapter



Track Mount to Surface  
at Any Angle or Inverted.



Plastic Track and Track Bracket  
with Snap Together Assembly  
(12 inch track shown)



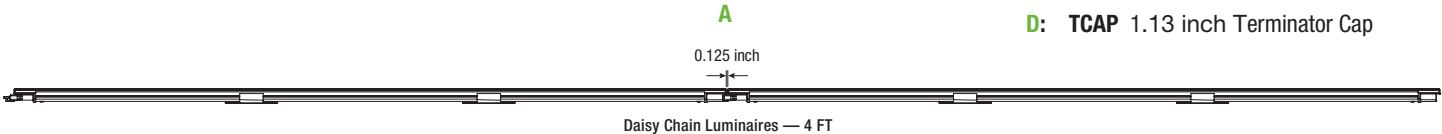
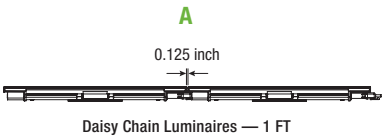
Slide in Track to  
Position Luminaire

Due to continuous development and improvements, specifications are subject to change without notice. Product use certifies agreement to Solid State Luminaires terms and conditions.



# Connectivity Options

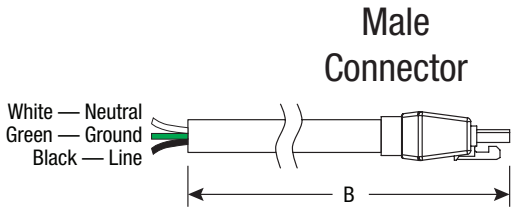
**CONNECTIONS & CABLES**



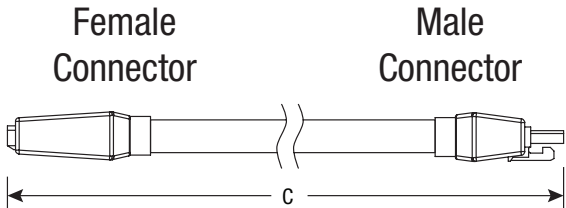
- A:** 0.125 inch between luminaires
- B:** **SC6** - 6 FT Starter Cord
- C:** **EC6** 12 inch Extension Cord
- C:** **EC12** 12 inch Extension Cord
- C:** **EC24** 24 inch Extension Cord
- C:** **EC60** 60 inch Extension Cord
- D:** **TCAP** 1.13 inch Terminator Cap

**ENSURE FIRST LUMINAIRE IS ORIENTED TO ACCEPT MALE CONNECTOR STARTER CABLE**

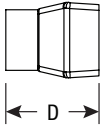
**B: STARTER CABLES**



**C: EXTENSION CABLES**

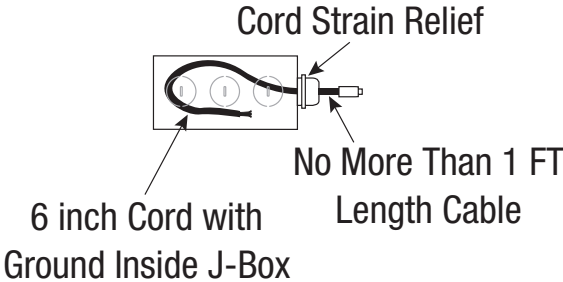


**D: TERMINATOR CAP — TCAP**



**STEEL JUNCTION BOX WIRING FOR STARTER CONNECTION CORD — SC6**

MC features Chicago Code Compliant (CCC) connectors. See below for Starter Connection Cord (SC6) setup details.



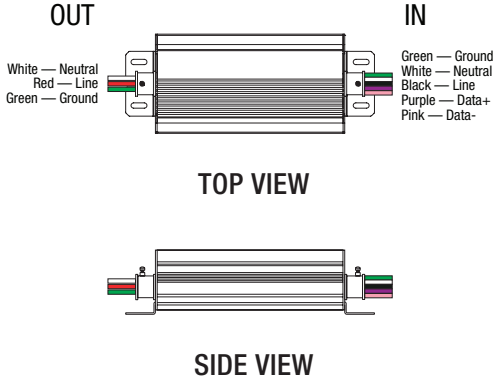
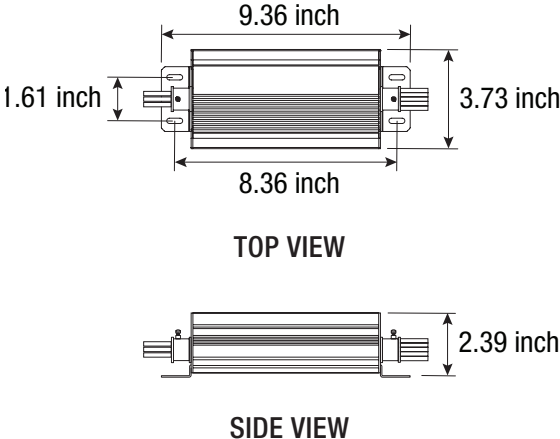
Due to continuous development and improvements, specifications are subject to change without notice. Product use certifies agreement to Solid State Luminaires terms and conditions.



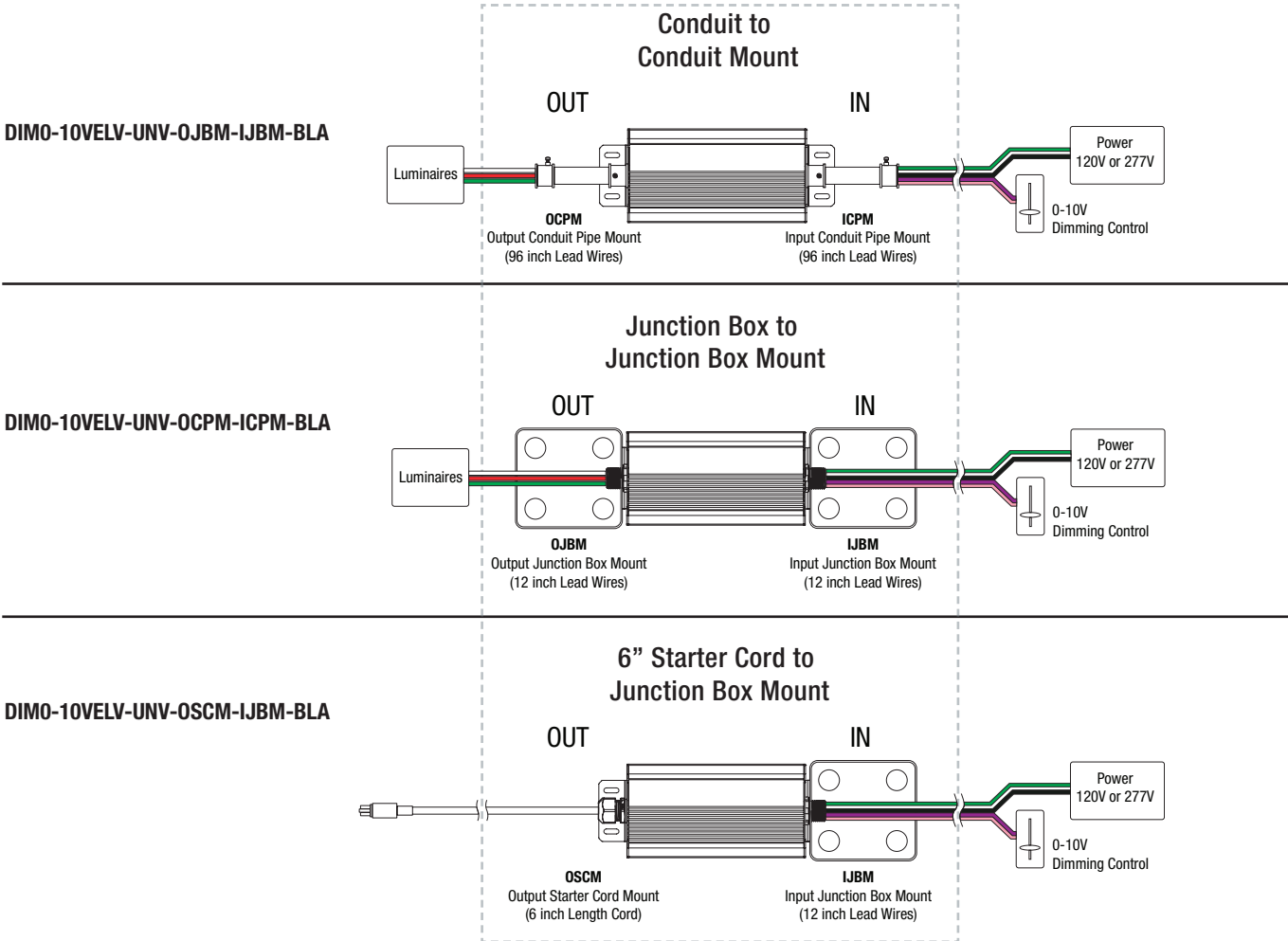
# Control Components

**OVERALL DIMENSIONS (DIMO-10VELV)**

**Use Module Only to Convert 0-10V Signal to ELV Dimming**  
 Converts 0-10V signal for ELV Dimming protocol.



**CONNECTIVITY TYPES (DIMO-10VELV)**



Due to continuous development and improvements, specifications are subject to change without notice. Product use certifies agreement to Solid State Luminaires terms and conditions.