

SSF2109

Exterior 9" Round RGBW High-Powered Flood Light



(Shown w/Cut-Off Visor)



FEATURES

- Up to 2748 lumens
- RGBW & Tunable White in one luminaire
- Wide range mounting options
- Many optical accessories
- ColourQuick, ColourClone, ColourSoft, and ColourMode (see page 4)
- 1.5G Vibration resistance

PERFORMANCE

Beam Spread: 10°, 15°, 25°, 30°, 60°, 80°, 90°, 100°, 15° x 30°, 30° x 60°
CCT Options: ColourMode (CM) RGBW and tunable white in one luminaire using 6 DMX channels
Lumens: 2748 lumens
Lumen Maintenance: L70 >70,000 hours

PHYSICAL

Mounting: Standard mounting is 1/2" - 14 NPS and includes adjustments for 145° vertical rotation and 360° horizontal rotation
Housing: Marine grade, corrosion resistant, low copper, solid die-cast aluminum; captive stainless steel fasteners
Finish: Available in Black, Bronze, Graphite Grey, Silver, White and Custom Colors. Six stage chemical iron phosphate conversion pre-treatment. Polyester powder coat finish, 18 µm Min., 5,000 hour salt spray test (ASTM B117) compliant with Florida / AAMA 2604 specification.
Warranty: 5-Year limited warranty
Lens: Anti-reflective-clear, tempered glass w/silicone gasketing - IK07 Impact Rating
Ingress Protection: IP66 rated for dry, damp or wet locations
Weight: 10.1 lbs
Ambient Operating Temp: -22°F to 122°F (-30°C to 50°C)

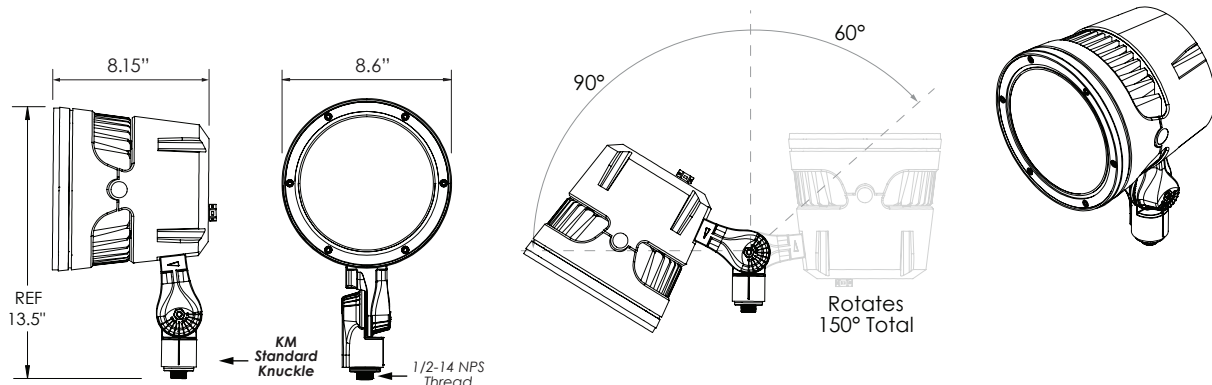
ELECTRICAL

Voltage: Universal 120 - 277 VAC
Power Supply: Integral Class II, electronic high-power factor >.90 @ 120V
Power Consumption: Up to 66W @ 120V
Dimming: ColourSoft embedded firmware enables 16-bit resolution using only 8-bits of data to enhance the low trim curve for no-flicker at the slowest transition speeds
Certification: ETL / cETL or CE, tested to UL 1598 and UL 8750 standards / UL-Class I / IES LM-79 / LM-80
Standards: cETLus Listed, CE, NOM, tested to UL 1598 and UL 8750 standards / UL-Class I / IES LM-79 / LM-80

RGBW TECHNOLOGY



PHYSICAL DIMENSIONS

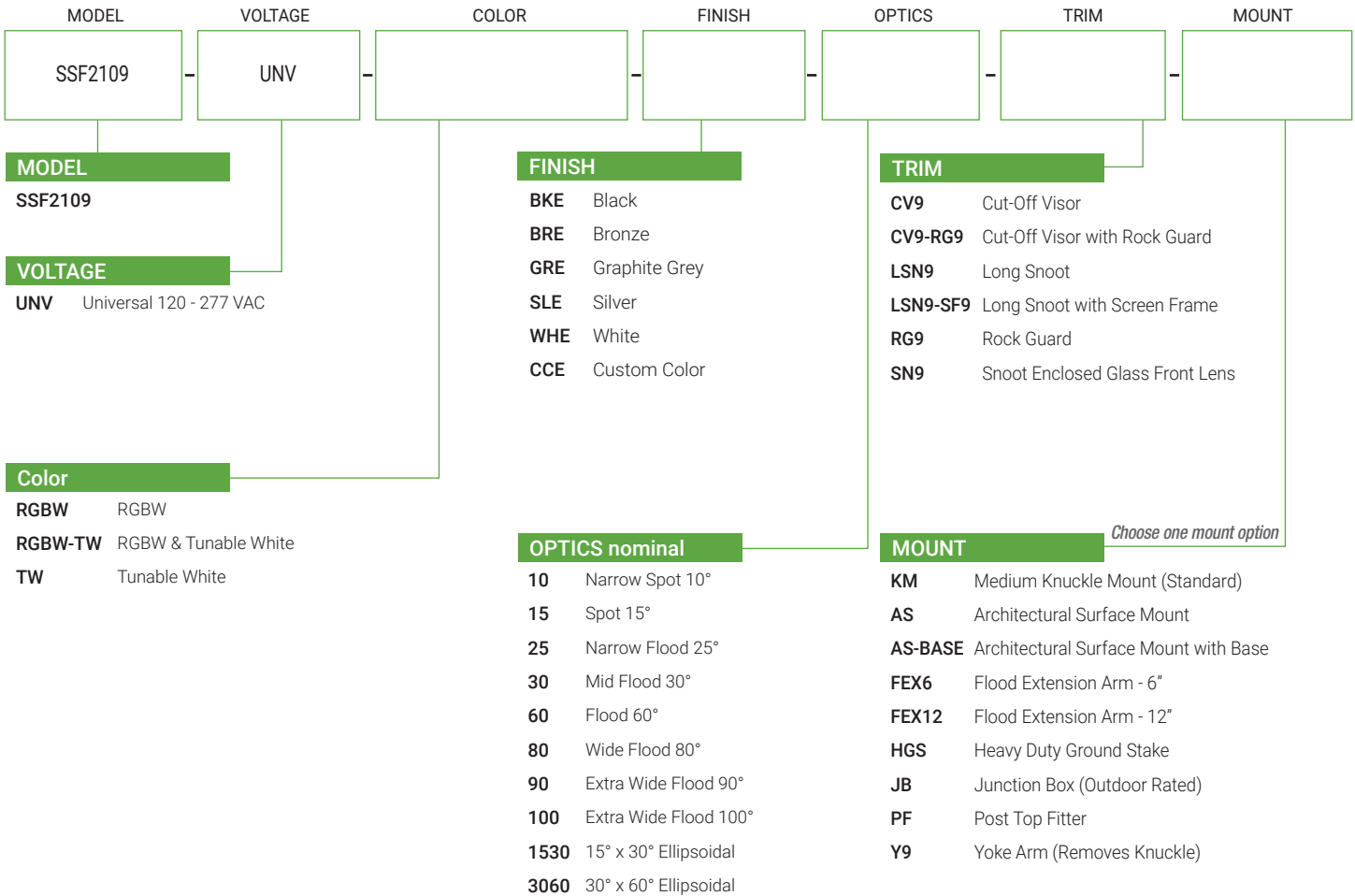


Date:	Approved:
Type:	
Fixture:	
Project:	

SSF2109

PRODUCT CODE

EXAMPLE: SSF2109-UNV-RGBW-BKE-10-CV9-KM



Note: Must specify mount as part of catalog number. Mounts may not be convertible from one to another without rework at the factory.

Cable Accessories (order seperately)

REQUIRED: Each run requires a Field Installed Data Terminator.

_____ **TCAPFIELD** Field Installed Data Terminator (w/ 120 ohm Resistor)

SSF2109

CONTROL COMPONENTS (Indicate the quantity needed for each item.)

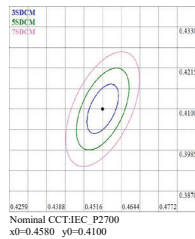
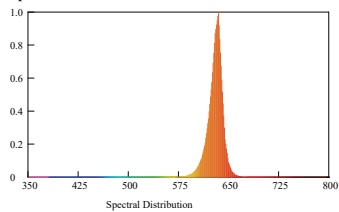
- _____ PHAROS TPS-5-B 5" Designer Touch Panel Station
- _____ PHAROS XPC1 Expert Controller; 512 channels of eDMX/DMX
- _____ PHAROS XPC2 Expert Controller; 1024 channels of eDMX/DMX
- _____ PHAROS XPT-5-B Expert Touch Panel; 5" Display in Black
- _____ PHAROS TPC-BB Touch Panel Controller - Black on Black (512 Channels EDMX)
- _____ PHAROS EXT Extension for TPC Connectivity
- _____ PHAROS LPC1 Lighting Playback Controller 1 (512 channels DMX/eDMX)
- _____ PHAROS LPC2 Lighting Playback Controller 2 (1,024 channels DMX/eDMX)
- _____ PDX Power Data Wiring Box (exterior rated)
- _____ PDX-S Power Data Wiring Box w/2-port splitter
- _____ PDX-RS4 Power Data Wiring Box w/4-port splitter
- _____ CL-RS4 4 Port RDM splitter w/120V power supply
- _____ SCSC-2WH (2BK) White or Black Wall Mount ColourSelect Controller (2 universe)
- _____ CSC-E ColourSelect Controller (2 universe)
- _____ DE3BK(WH) Nicolaudie STICK DE-3 Black or White Wall Mount Controller w/color dial
- _____ CW4-WH Nicolaudie STICK White Touch Screen with Internal WiFi
- _____ GA2WH(BK) Nicolaudie STICK-GA2 White or Black Wall Mount Controller
- _____ DXC-25 25 foot DMX cable
- _____ DXC-50 50 foot DMX cable
- _____ DXC-100 100 foot DMX cable
- _____ CD-10 10 foot controller data cable (for CSC only)
- _____ CD-25 25 foot controller data cable (for CSC only)
- _____ CD-50 50 foot controller data cable (for CSC only)
- _____ CD-100 100 foot controller data cable (for CSC only)
- _____ MV 5900 Multiverse Show Baby DMX Wireless Bridge (Indoor)
- _____ 7400-5707M Show DMX Vero DMX Wireless Bridge (Exterior)
- _____ NICOLAUDIE NINA

*Controller Data Cables/DMX Cables listed are exterior rated cables.
(Belden 3105A or equivalent) CD-XX cables have male XLR at one end.*

PHOTOMETRIC DATA

RGBW-RED ONLY

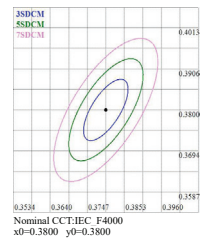
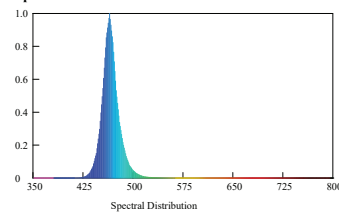
Spectroradiometric Parameters



Dominant Wavelength: 622.0 nm(E)
Luminous Flux: 48.67 lm
Chromaticity Difference: -0.08736Duv
Bandwidth: 20.4nm
Purity: 1.0035
Peak Wavelength: 635.0 nm
Radiant Flux: 0.261 W

RGBW-BLUE ONLY

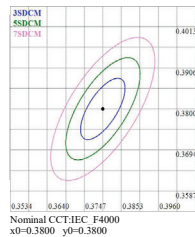
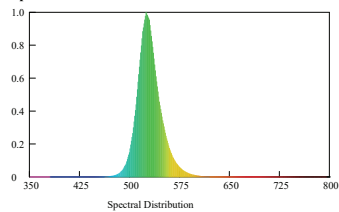
Spectroradiometric Parameters



Dominant Wavelength: 468.0 nm(E)
Luminous Flux: 21.32 lm
Chromaticity Difference: -0.1744Duv
Bandwidth: 25.1nm
Purity: 0.8711
Peak Wavelength: 465.0 nm
Radiant Flux: 0.35 W

RGBW-GREEN ONLY

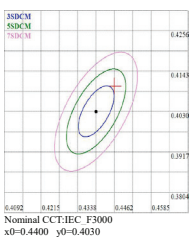
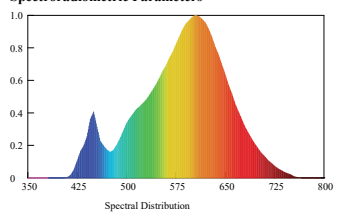
Spectroradiometric Parameters



Dominant Wavelength: 532.0 nm(E)
Luminous Flux: 95.24 lm
Chromaticity Difference: +0.1522Duv
Bandwidth: 30.1nm
Purity: 0.8711
Peak Wavelength: 525.0 nm
Radiant Flux: 0.174 W

RGBW-WHITE ONLY

Spectroradiometric Parameters



Correlated Color Temperature: 2898 K
Colour Fidelity Index: Rf=83
Luminous Flux: 102.14 lm
Chromaticity Difference: +0.00118Duv
Bandwidth: 130.2nm
Rendering Index: Ra=82.8
R1=81 R2=90 R3=97 R4=81 R5=81 R6=88 R7=84 R8=60
R9=11 R10=78 R11=80 R12=75 R13=83 R14=99 R15=74 Re=77

Dominant Wavelength: 581.0 nm(E)
Gamut Index: Rg=96
Purity: 0.5737
Peak Wavelength: 605.0 nm
Radiant Flux: 0.299 W



ColourQuick

RAPID-MIX COLOR

- Instantaneous Color Mixing – Within 1 inch
- Shortest Distance in Industry for Blending Colors
- 4-in-1 RGBW LED designed to SSL Specifications

ColourLine RGBW fixtures provide the quickest color mixing in the industry. The SSL ColourQuick technology enables our ColourLine Linear Indoor Cove and Graze, as well as, our Outdoor Floods to color-mix almost instantly, within one inch.



ColourClone

TRU-COLOR RGBW MATCHING

- Robotic Calibration of every fixture provides 1-Step consistency
- Every fixture has same X, Y color coordinates
- Perfect match for add-ons and replacements

As part of our manufacturing process, SSL Automated Manufacturing Robots calibrate every fixture to the exact same X,Y color coordinates to provide Step-1 like consistency. This process enables every fixture to be an exact clone. At the end of the process, a bar code is generated for every board. This allows for exact matching for job add-ons or warranty replacements.



ColourSoft

SMOOTH LOW-TRIM DIMMING

- Flicker-Free Color Transitions and Dimming
- 16-bit performance (65,536 steps) using *only 8-bit addressing*
- SSL Engineered Custom Software and Firmware

Standard dimming technology uses 8-bit resolution for 256 individual steps. Our 32-bit on-board MCU uses SSL developed software to provide 16-bit resolution that allows 65,536 steps of resolution and only use 8-bits of addressing space! We also use a logarithmic delineation of the resolution to concentrate in the lower third of the dimming curve so the low-end dimming and color transitions have zero flicker.



ColourMode

RGBW AND TUNEABLE WHITE IN ONE

- SSL Designed Firmware uses 6 DMX Channels
- RGBW and Tuneable White (2-Step, >90CRI) in One Fixture
- 5 Distinct Fixture Personalities for - Maximum Flexibility

SSL uses Digital Dual Mode (DDM) technology to provide RGBW and Tuneable White in one fixture! SSL firmware is designed to use 6 DMX channels in the DDM Personality Mode. Maximum Mood Enhancement is available to use for any type of environment. Channels 1-4 are reserved for RGBW. Channels 5-6 are used for White color tuning. Channel 5 controls intensity, channel 6 controls White color.

Scalable

- Full DMX, RDM control capability with latest industry standards
- A wide variety of DMX protocol controls and system accessories
- SSL has many RGBW products utilizing the ColourLine Technology
- Multiple personality settings to enhance RGBW & Tuneable White
- Control 1000's of DMX channels with multiple universes & zones
- Powerful luminaires with super optics for long-throw applications
- SSL provides turnkey design and technical integration support

SSF2109

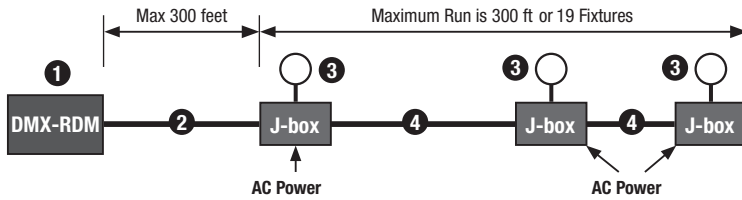
WIRING CONFIGURATIONS

SINGLE SEGMENT CONFIGURATION EXAMPLES

STANDARD CONFIGURATION

- 1) DMX-RDM Controller
- 2) DMX Data Cable **DXC-xx** or **CD-xx** (CSC only)
- 3) RGBW Flood (with standard 5-Pin cord whip)
- 4) Controller Data Cables/DMX Cables are exterior rated (by others),(Belden 3105A or equivalent) CD-XX cables have male XLR at one end.

AC Power - Supplied by others in various methods; to each fixture separately, in separate conduits, or in the same conduit (Cables with same voltage rating).

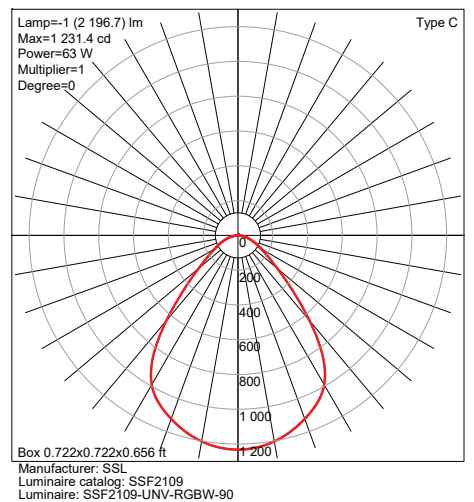
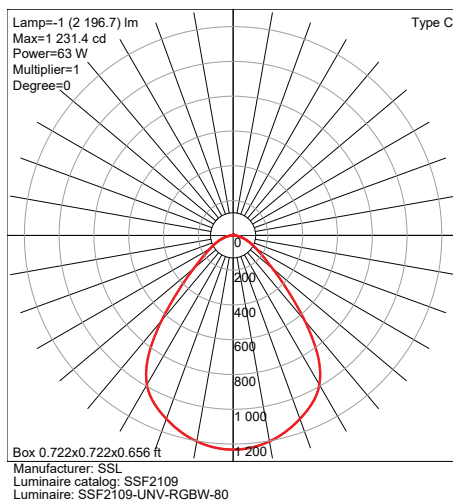
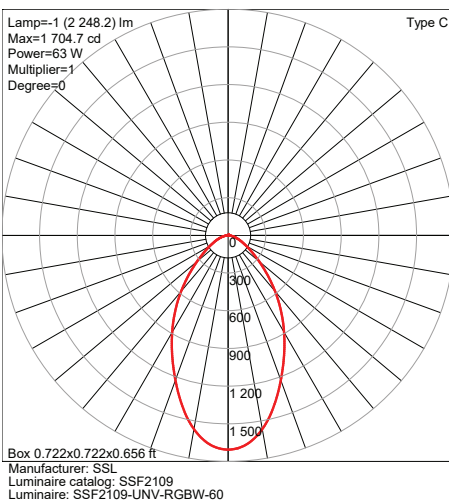
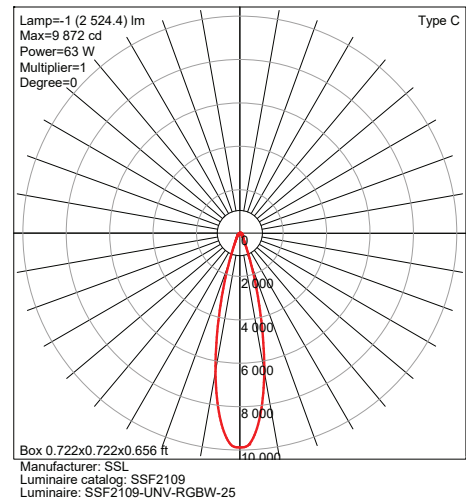
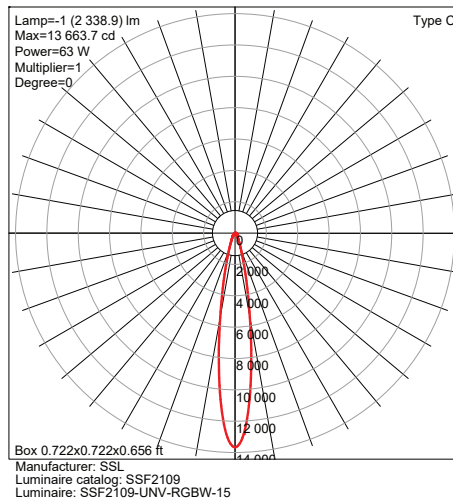
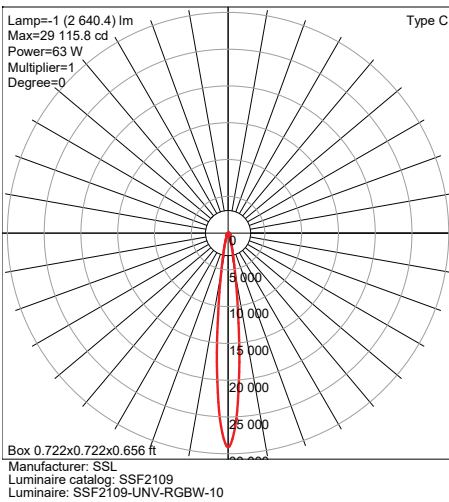


SSF2109

LUMENS / WATTAGE nominal

Model	Watts	Lumens
SSF2109	66W	2748 lm

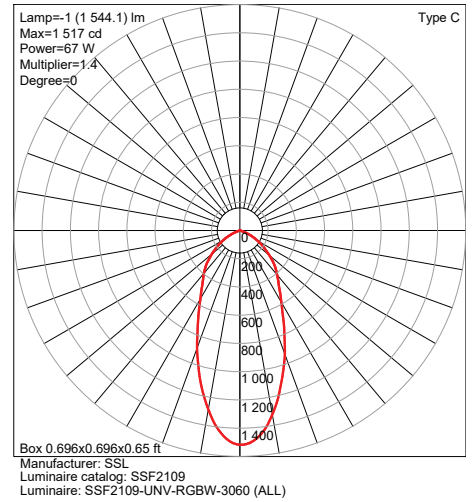
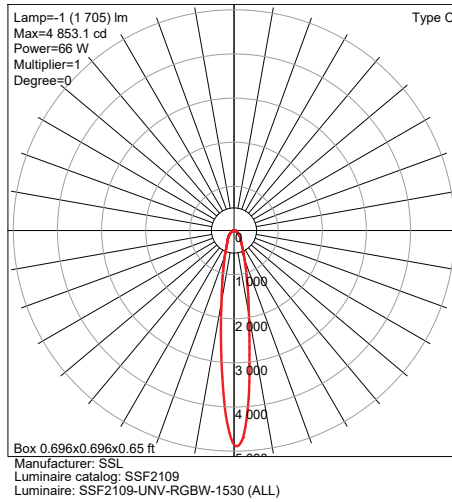
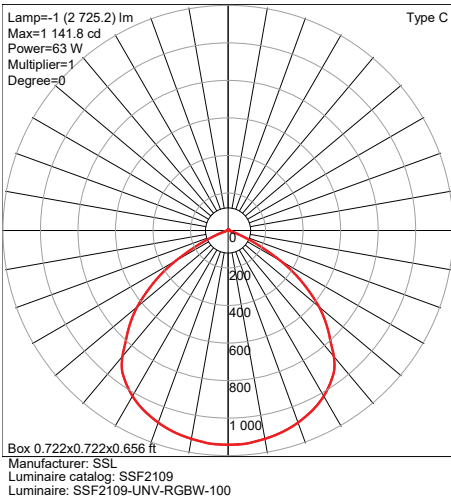
PHOTOMETRIC GRAPHS



Due to continuous development and improvements, specifications are subject to change without notice.
Product use certifies agreement to Solid State Luminaires terms and conditions.

SSF2109

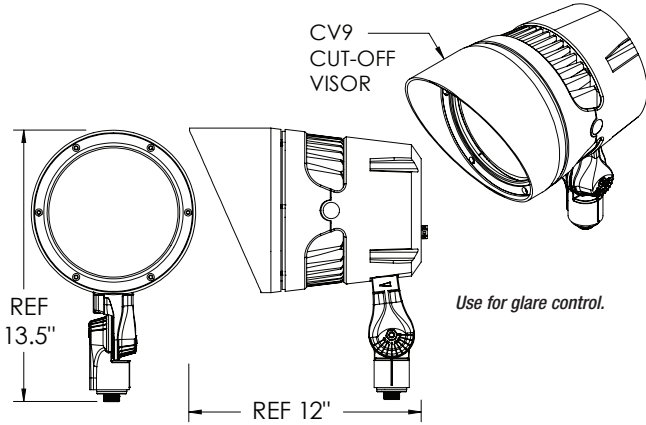
PHOTOMETRIC GRAPHS



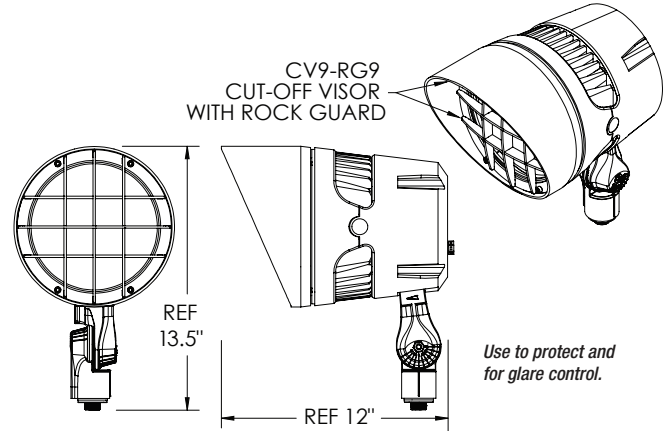
SSF2109

TRIM

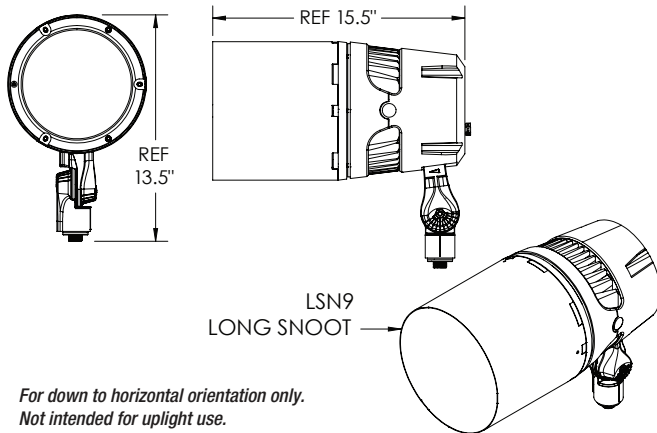
CV9 Cut-Off Visor



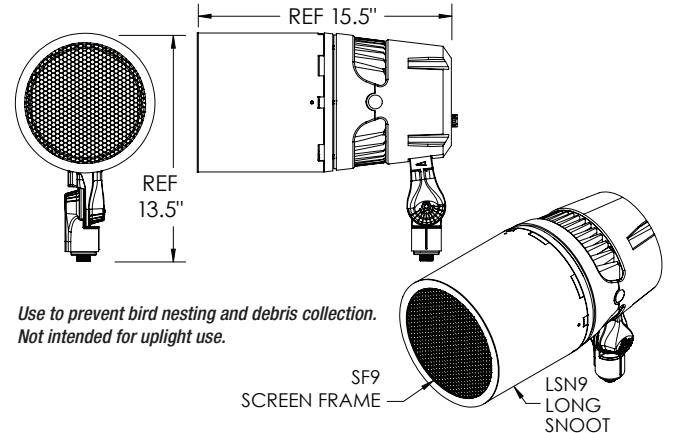
CV9-RG9 Cut-Off Visor with Rock Guard



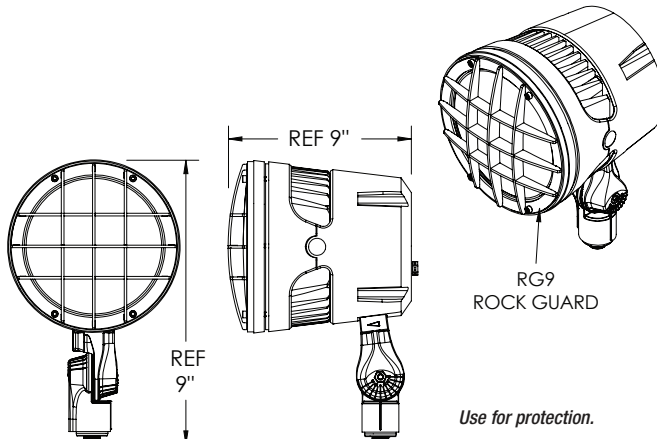
LSN9 Long Snoot



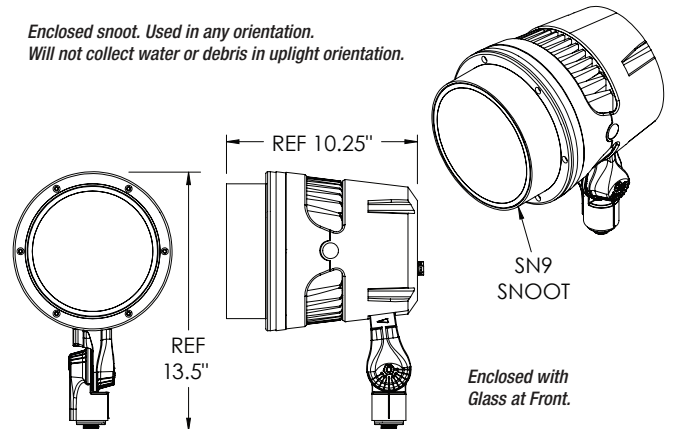
LSN9-SF9 Long Snoot with Screen Frame



RG9 Rock Guard



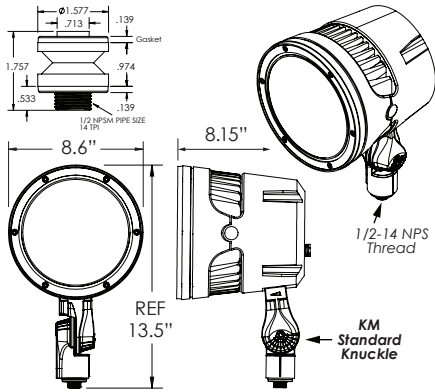
SN9 Snoot Enclosed Glass Front Lens



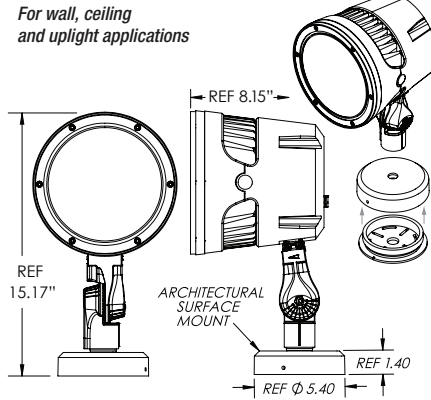
SSF2109

MOUNTING ACCESSORIES Please choose one mounting option.

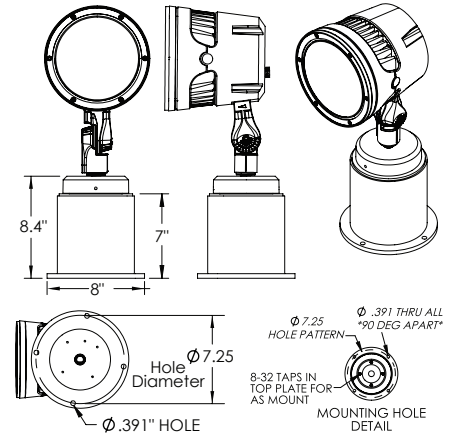
KM Medium Knuckle Mount (Standard)



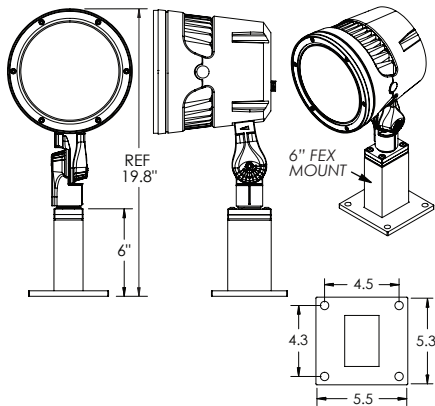
AS Architectural Surface Mount



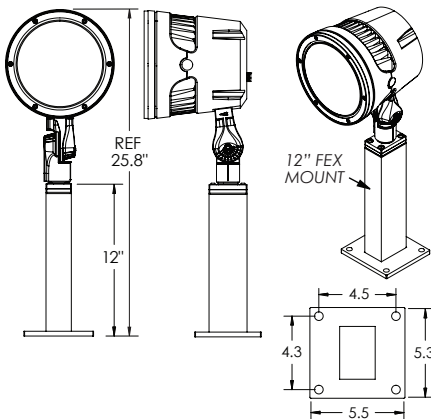
AS-BASE Architectural Surface Mount with Base



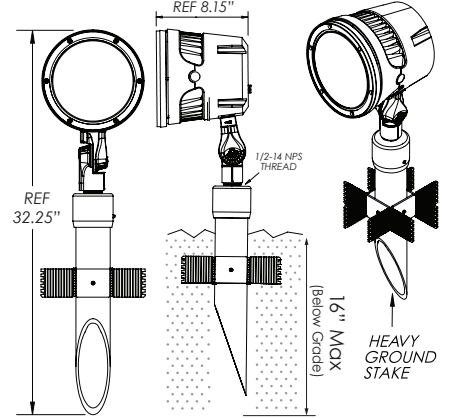
FEX6 Flood Extension Arm - 6"



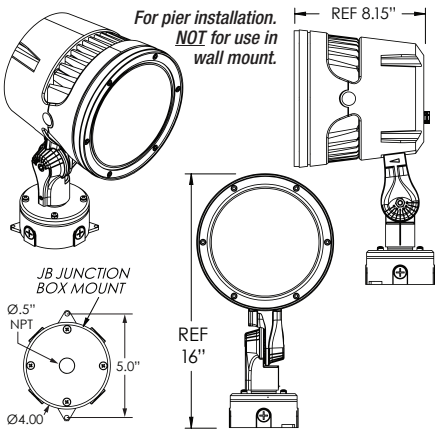
FEX12 Flood Extension Arm - 12"



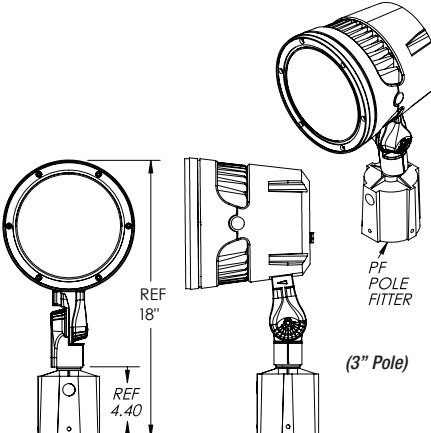
HGS Heavy Duty Ground Stake



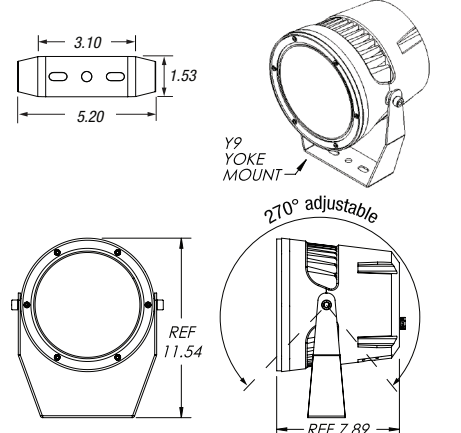
JB Junction Box (Outdoor Rated)



PF Post Top Fitter



Y9 Yoke Arm (Removes Knuckle)



Due to continuous development and improvements, specifications are subject to change without notice. Product use certifies agreement to Solid State Luminaires terms and conditions.