

Date: _____
 Type: _____
 Fixture: _____
 Project: _____

Approved: _____

SSC8 Integral Driver and Battery Backup

8" Round seamless indoor cylinders



FEATURES

- Up to 22W Min / 82W Max
- No visible seams or fasteners
- Tool-less field interchangeable optics
- Integral battery backup and integral driver
- Multiple finish color options
- 1.5G Vibration Tested
- 93 CRI with 2 SDCM

PERFORMANCE

Beam Spread: 15° | 25° | 50° | 72° | Wall Wash
CCT Options: 2700K, 3000K, 3500K, 4000K, 5700K
CRI: 93 CRI
Consistency: 2 SDCM (Fixture to Fixture)
Lumens: 2000-7500 lm
Lifetime: > 70,000 hours / L70 or better

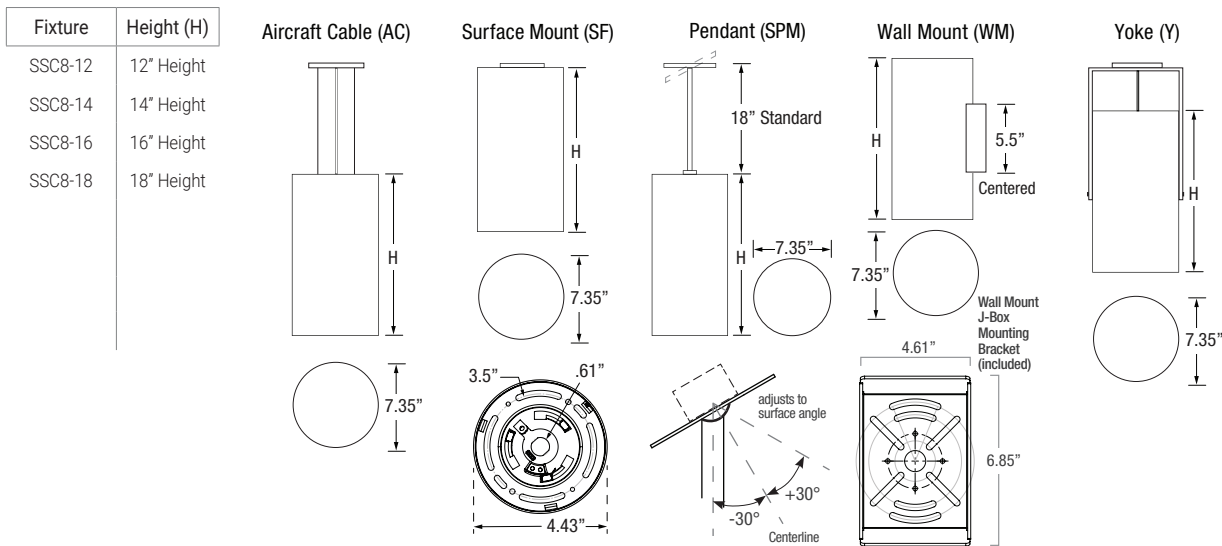
PHYSICAL

Mounting: Aircraft cable, slope pendant, surface, wall, yoke w/ twist-lock canopy.
Ingress Protection: Dry or damp locations IP43 rated
Finish: Six stage chemical iron phosphate conversion pre-treatment. Polyester powder coat finish, 18 µm Min., 3000hr salt spray test (ASTM B117) AAMA 2603 specification.
Warranty: 5-Year limited warranty (refer to website for details)
Housing: No visible seams or fasteners, marine grade, corrosion resistant, solid aluminum extrusion, high pressure die-cast aluminum components, black baffle.
Lens: IK05 impact compliant, clear anti-glare tempered glass
Vibration Resistance: Compliant with 1.5G ANSI C136.31, Seismic rated AC-156
Weight: 8-12 lbs (Depending on Length)
Operating Temperature: -22°F to 122°F (-30°C to 50°C)

ELECTRICAL

Voltage: Universal 120-277V AC
Power Supply: Integral Class II, electronic high-power factor >.90, THD < 20%, FCC Title 47 Part 15 Class A. EldoLED & Lutron optional.
Power Consumption: Up to 82W Max
Dimming: standard: 0-10V Dimming, 1% | optional: LD, XCR
Certification: CEC Title 24 - JA8 Compliant (93 CRI Only)
Standards: cETLus Listed, CE, NOM, and RoHS Compliant, tested to UL 1598 and UL 8750 standards / UL-Class I / IES LM-79 / LM-80 / FCC Part 15

PHYSICAL DIMENSIONS



Due to continuous development and improvements, specifications are subject to change without notice. Solid State Luminaires reserves the right to change lab test details or specifications without notice. Product use certifies agreement to Solid State Luminaires terms and conditions. **All stated specifications have a tolerance of +/- 7%.



US Commercial Lighting Manufacturer Since 1982

Date: _____
 Type: _____
 Fixture: _____
 Project: _____

Approved: _____

SSC8 Integral Driver and Battery Backup

PRODUCT CODE

EXAMPLE: SSC8-12-SPM18-UNV-930-10L-BKI-15-LD

MODEL	HEIGHT	MOUNTING	SUSP. LENGTH	VOLTAGE	COLOR	LUMENS	FINISH	OPTIC	DIMMING	OPTIONS	BATTERY
SSC8											

MODEL

SSC8

HEIGHT

12 12" Height
14 14" Height
16 16" Height
18 18" Height

MOUNTING

AC Aircraft Cable
SF Surface Mount
SPM Pendant Mount
WM Wall Mount
Y Yoke

AC/SPM SUSPENSION LENGTH

Specify the optional suspension length in inches. (Top of fixture to ceiling) (AC & CM 4"-120" Max, Field Adjustable) (SPM 18" Standard, 4"-120" Max; 61"-120" w/LD & ET Only and stem comes in 2 sections) *Consult factory & price guide for other lengths.

VOLTAGE

UNV Universal 120-277V AC

COLOR

927 (93CRI) 2700K
930 (93CRI) 3000K
935 (93CRI) 3500K
940 (93CRI) 4000K
957 (93CRI) 5700K
830 (83CRI) 3000K (70L-75L Only)
840 (83CRI) 4000K (70L-75L Only)

LUMENS nominal

20L 2000 lm (93 CRI Standard)
25L 2500 lm (93 CRI Standard)
30L 3000 lm (93 CRI Standard)
35L 3500 lm (93 CRI Standard)
40L 4000 lm (93 CRI Standard)
45L 4500 lm (93 CRI Standard)
50L 5000 lm (93 CRI Standard)
55L 5500 lm (93 CRI Standard)
60L 6000 lm (Min 14" H) (93 CRI Standard)
65L 6500 lm (Min 14" H) (93 CRI Standard)
70L 7000 lm (Min 16" H) (Only 83 CRI)
75L 7500 lm (Min 16" H) (Only 83 CRI)

FINISH

BKI Black (AAMA 2603)
BRI Bronze (AAMA 2603)
SLI Silver (AAMA 2603)
WHI White (AAMA 2603)
CCI Custom Color (AAMA 2603)

OPTIC nominal		w/SOFT FIELD	
15 Spot (15°)	25S Narrow Flood	40S Mid Flood	50S Flood
25 Narrow Flood (25°)	72S Wide Flood	WW Wall Wash (25° Optic Only)	
40 Mid Flood (40°)			
50 Flood (50°)			
72 Wide Flood (72°)			
15S Spot			

DIMMING

LD LED Dimming 0-10V, 1%
ET ELV or TRIAC Driver (Only 10L-45L) (120V Phase Dimming Only with UNV Driver)
XA DMX Dim to 0.1% (Only 10L-50L) (SF, SPM and WM Only)
E1 eldoLED 0-10V, Dim to 0.1%, Dim-to-Off (Only 05L-50L)
E2 eldoLED DALI-2 Dim to 0.1% (Only 05L-50L) (SF, SPM & WM Only)
L1 Lutron Hi-Lume 1% Ecosystem (Digital Dimming), Soft-on Fade-to-Black (10L-30L)
L2 Lutron Hi-Lume 1% 2-Wire (Forward Phase Dimming) (10L-30L)

OPTIONS

CO Surface Mount Conduit Adapter

BATTERY

BBU Battery Backup, Integral (Standard)

ACCESSORIES (Order separately.)

XCR Remote mount DMX to 0-10V Converter controls (1) or (2) circuits or fixtures w/0-10V Control Driver (LD)

SSC8 Integral Driver and Battery Backup

LUMENS

Model	Watts	940
SSC8	22 W	2000 lm
	27 W	2500 lm
	33 W	3000 lm
	38 W	3500 lm
	44 W	4000 lm
	47 W	4500 lm
	49 W	5000 lm
	55 W	5500 lm
	60W	6000 lm
	66W	6500 lm
	74W	7000 lm
	82W	7500 lm

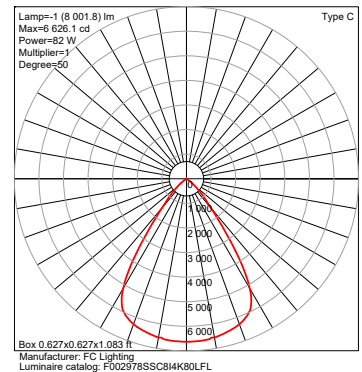
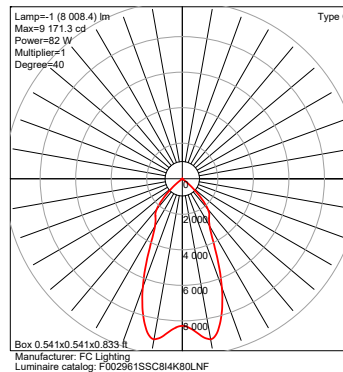
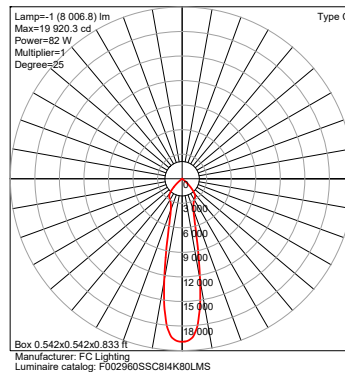
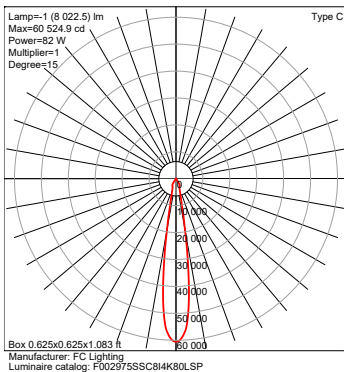
IES Multiplier	
Color	Multiplier
927	0.93
930	0.97
935	0.99
940	1.00

*83CRI≤1.15 Consult factory.

TRIAC & ELV Approved Dimmer List	
Manufacturer	Manufacturer Part Number
Lutron	Glyder GLV-600
	Diva DVLV-600P
	Diva DV-600P
	Diva DVELV-600P(303)
	Maestro MALV-600
	Nova T NT-1000
	Nova T NTELV-600
Leviton	SureSlide 6633
	Illumatech IPE04

0-10V Approved Dimmer List	
Manufacturer	Manufacturer Part Number
Lutron	Diva DVSTV-XX
	Diva DVSTV-453PH-WH1
Leviton	Illumatech 010-IP710-DLZ

PHOTOMETRICS



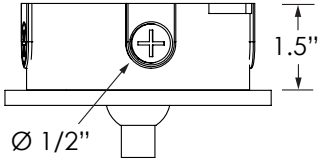
SSC8 Integral Driver and Battery Backup

CO Option

Surface Mount Conduit Adapter

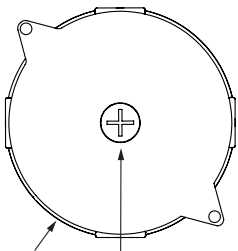
For wall or ceiling installation.
NOT for use in upright pier mount.

JUNCTION BOX



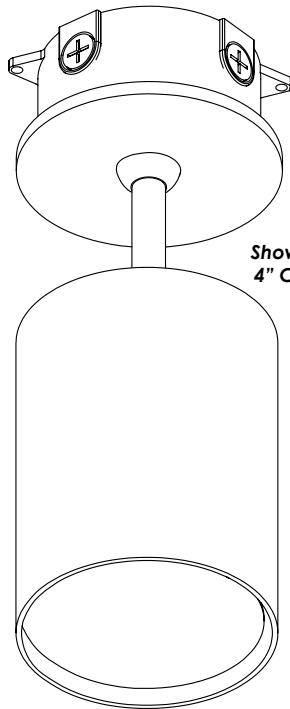
Ø 1/2"
Trade Size
Qty. 4 (Sides)

**TOP VIEW
JUNCTION BOX
(Hole Center Top)**



Ø 4"
Ø 1/2"
Trade Size
(Threaded holes for 1/2"
threaded conduit, with plugs)

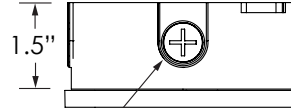
**SURFACE MOUNT
CONDUIT ADAPTER
(for SPM Cylinders)**



Show with a
4" Cylinder

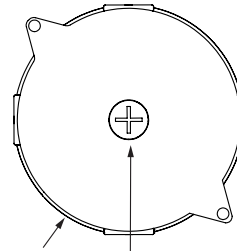
For wall or ceiling installation.
NOT for use in upright pier mount.

JUNCTION BOX



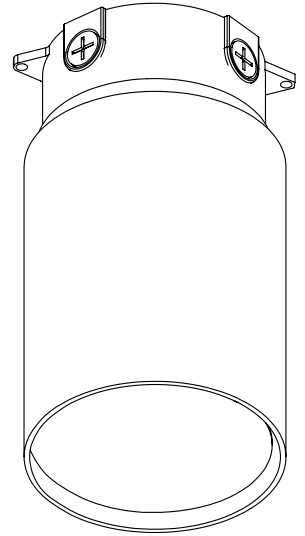
Ø 1/2" Trade Size
Qty. 4 (Sides)

**TOP VIEW
JUNCTION BOX
(Hole Center Top)**



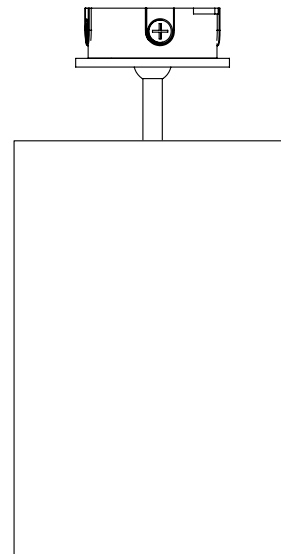
Ø 4"
Ø 1/2"
Trade Size
(Threaded holes for 1/2"
threaded conduit, with plugs)

**SURFACE MOUNT
CONDUIT ADAPTER
(for AC, CM, SF Cylinders)**

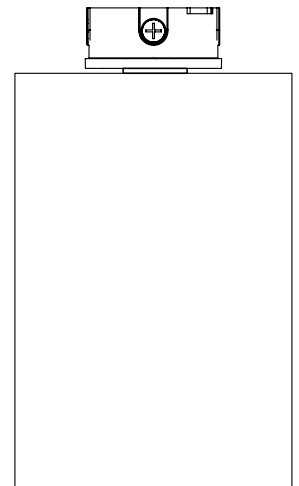


Show with a
4" Cylinder

**Surface Mount Conduit Adapter can be added to any
of the AC, CM, SF and SPM Mounts**



**8" Cylinder
Slope Pendant
w/Surface Mount
Conduit Adapter**



**8" Cylinder
Surface Mount
w/Conduit Adapter**

