

Date: _____

Type: _____

Fixture: _____

Project: _____

Approved: _____

SSC8R16 Eight-Inch Round Seamless Indoor Cylinder

Twin-Conductor Mount Up/Down Lighting with Remote Drivers



FEATURES

- Up / Down Lighting from 3,000 up to 15,000 Lumens
- Remote Driver with Dual 0-10V Dimming 1% Standard
- 80 Unique Optical Combinations
- Kevlar-Reinforced Twin-Conductor Cable Technology
- Tool-less field interchangeable optics
- No visible seams or fasteners
- Multiple housing colors

PERFORMANCE

Beam Spread: 15°, 25°, 40°, 50°, 72°, 90°
CCT Options: 2700K, 3000K, 3500K, 4000K, 5000K
CRI: 93 CRI
Consistency: 2 SDCM (Luminaire to Luminaire)
Lumens: 3000-15000 lumens (nominal)
Lumen Maintenance: L70 > 70,000 hours

PHYSICAL

Mounting: Twin-Conductor with canopy for remote driver
Housing: No visible seams or fasteners, marine grade, corrosion resistant, solid aluminum extrusion, high pressure die-cast aluminum components.
Finish: Six stage chemical iron phosphate conversion pre-treatment. Polyester powder coat finish, 18 µm Min., 3,000 hour salt spray test (ASTM B117) AAMA 2603 specification.
Warranty: 5-Year limited warranty
Lens: IK05 impact compliant, clear anti-glare tempered glass. The Soft Field Lens option provides diffusion, reduces glare, and enhances visual comfort.
Ingress Protection: Dry or damp locations IP43 rated
Weight: 11 lbs
Operating Temperature: -22°F to 122°F (-30°C to 50°C)

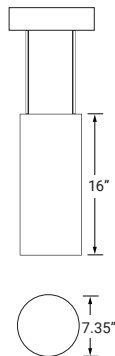
ELECTRICAL

Voltage: Universal 120 - 277 VAC
Power Supply: Integral Class II, electronic high-power factor >.90, THD < 20%, FCC Title 47 Part 15 Class A.
Power Consumption: Maximum 73W per orientation
Dimming: standard: 0-10V Dimming, 1%
Standards:
 • cETLus Listed and RoHS Compliant.
 • Tested to UL 1598 and UL 8750 standards / UL-Class I / IES LM-79 / LM-80 / FCC Part 15.

PHYSICAL DIMENSIONS

Luminaire	Height
SSC8R16-ACR	16" Height

Twin-Conductor Cable Remote Power



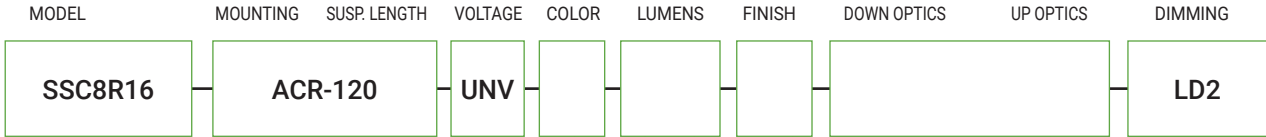
Date: _____
 Type: _____
 Fixture: _____
 Project: _____

Approved: _____

SSC8R16 Eight-Inch Round Seamless Indoor Cylinder

PRODUCT CODE

EXAMPLE: SSC8R16-ACR120-UNV-927-2525L-BKI-D15U25-LD2



MODEL
 SSC8R16 16" Height

LED DRIVER REMOTE (INDOOR) IP20, IK08, NEMA 1, -20°C to +50°C, 30' MAX Distance with 12AWG (Remote Driver in Canopy)

MOUNTING
 ACR Twin-Conductor Cable, Remote

ACR SUSPENSION LENGTH
 120 120" Suspension length (top of luminaire to ceiling, field adjustable)

VOLTAGE
 UNV Universal 120 - 277 VAC

COLOR

927	(93CRI) 2700K
930	(93CRI) 3000K
935	(93CRI) 3500K
940	(93CRI) 4000K
950	(93CRI) 5000K

DOWN LUMENS (nominal)	UP LUMENS
15	1500 lm (Only 93 CRI) 15L
20	2000 lm (Only 93 CRI) 20L
25	2500 lm (Only 93 CRI) 25L
30	3000 lm (Only 93 CRI) 30L
35	3500 lm (Only 93 CRI) 35L
40	4000 lm (Only 93 CRI) 40L
45	4500 lm (Only 93 CRI) 45L
50	5000 lm (Only 93 CRI) 50L
55	5500 lm (Only 93 CRI) 55L
60	6000 lm (Only 93 CRI) 60L
65	6500 lm (Only 93 CRI) 65L
70	7000 lm (Only 93 CRI) 70L
75	7500 lm (Only 93 CRI) 75L

FINISH

BKI	Black
BRI	Bronze
SLI	Silver
WHI	White
CCI	Custom Color

DOWN OPTICS	(nominal)	UP OPTICS
D15	Spot (15°)	N/A
D25	Narrow Flood (25°)	U25
D40	Mid Flood (40°)	N/A
D50	Flood (50°)	U50
D72	Wide Flood (72°)	U72
N/A	Very Wide Flood (90°)	U90

WITH SOFT FIELD LENS		
D15S	Spot (15°)	N/A
D25S	Narrow Flood (25°)	U25S
D40S	Mid Flood (40°)	N/A
D50S	Flood (50°)	U50S
D72S	Wide Flood (72°)	U72S
N/A	Very Wide Flood (90°)	U90S

DIMMING (MANDATORY)
 LD2 0-10V Dimming, 1% (Qty. 2) (2 Separate Circuits: Individual Control of Power and Dimming for Up/Down Lighting)
 *All drivers listed above are remote in canopy.

SSC8R16 Eight-Inch Round Seamless Indoor Cylinder

LUMENS / WATTAGE nominal

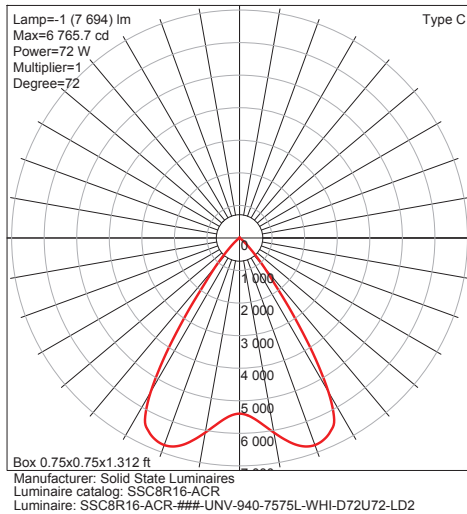
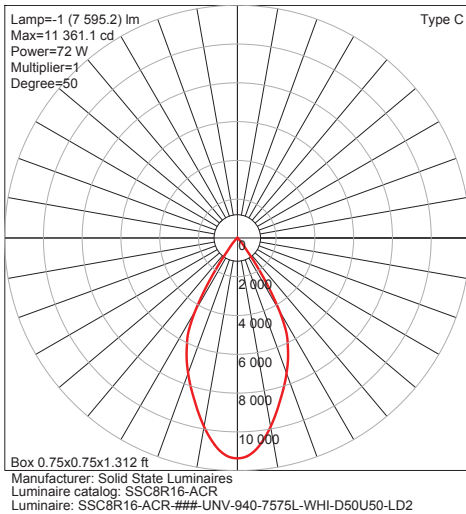
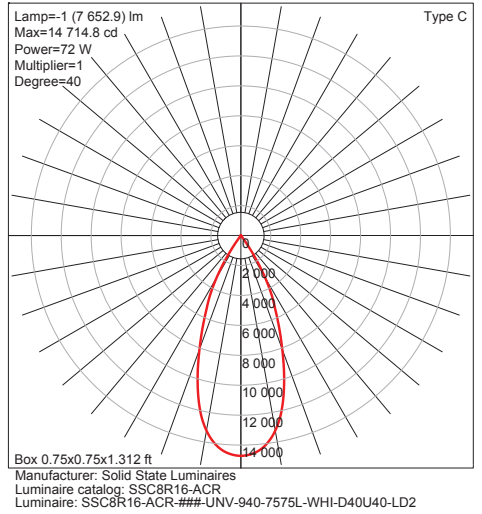
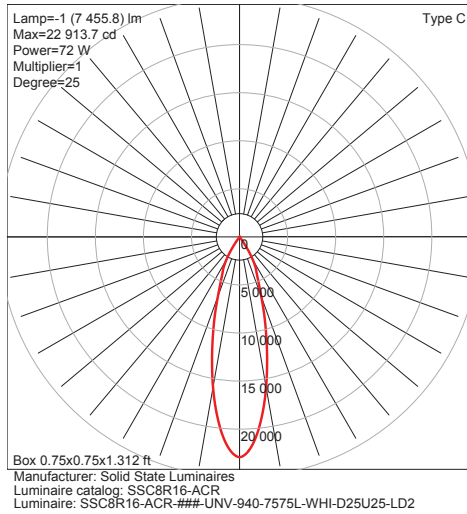
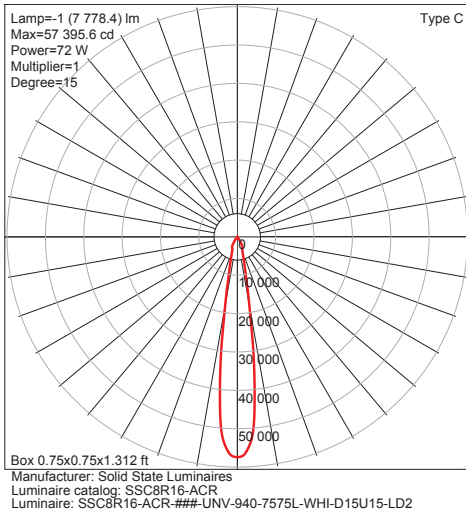
Model	LUMENS	WATTS
SSC8R16 (4K)	15L	16
	20L	20
	25L	25
	30L	29
	35L	34
	40L	39
	45L	44
	50L	50
	55L	55
	60L	58
	65L	64
	70L	66
75L	72	

CCT MULTIPLIER	
27K	0.89
30K	0.95
35K	0.99
40K	1.00
50K	1.01

Note: 83CRI \leq 1.18
Consult factory.

0-10V Approved Dimmer List	
Manufacturer	Manufacturer Part Number
Lutron	Diva DVSTV-XX
	Diva DVSTV-453PH-WH1
Leviton	illumatech 010-IP710-DLZ

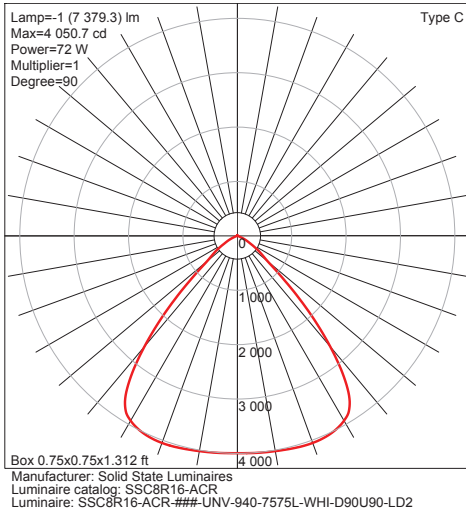
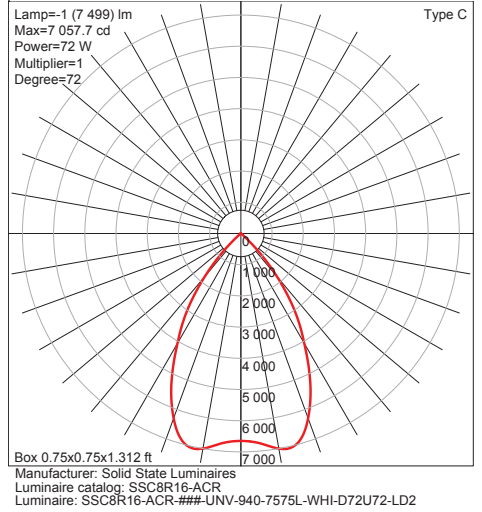
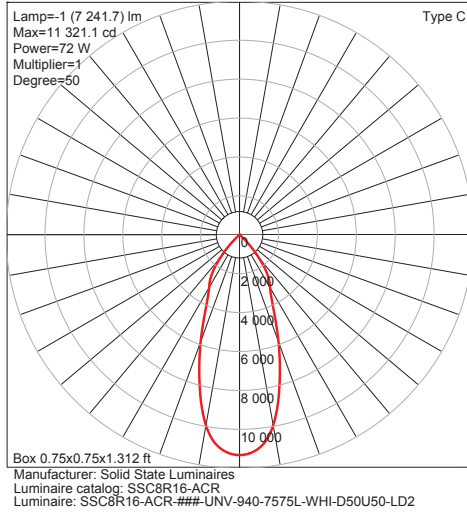
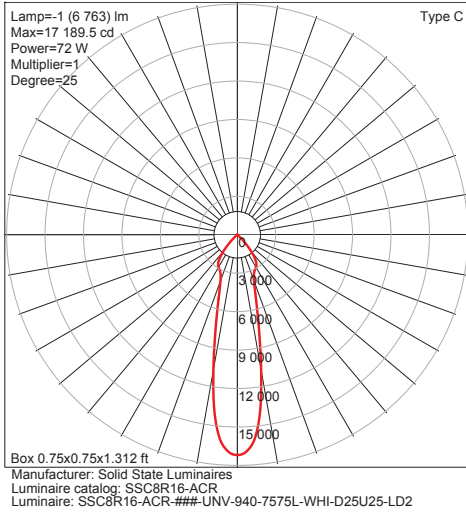
PHOTOMETRICS - DOWN LIGHT



Due to continuous development and improvements, specifications are subject to change without notice.
Product use certifies agreement to Solid State Luminaires terms and conditions.

SSC8R16 Eight-Inch Round Seamless Indoor Cylinder

PHOTOMETRICS - UPLIGHT



Due to continuous development and improvements, specifications are subject to change without notice.
Product use certifies agreement to Solid State Luminaires terms and conditions.