

SSC6 Premium Drivers without Battery Backup

6" Round seamless indoor cylinders



FEATURES

- Up to 5W Min / 60W Max
- Multiple dimming options
- Tool-less field interchangeable optics
- No visible seams or fasteners
- Multiple finish color options
- 1.5G Vibration Tested
- 93 CRI with 2 SDCM

PERFORMANCE

Beam Spread: 15° | 25° | 40° | 50° | 72° | Wall Wash
CCT Options: 2700K, 3000K, 3500K, 4000K, 5700K, TW (2700K-6500K), DW (1850K-3100K)
CRI: 93 CRI
Consistency: 2 SDCM (Fixture to Fixture)
Lumens: 500-5500 lm
Lifetime: > 70,000 hours / L70 or better

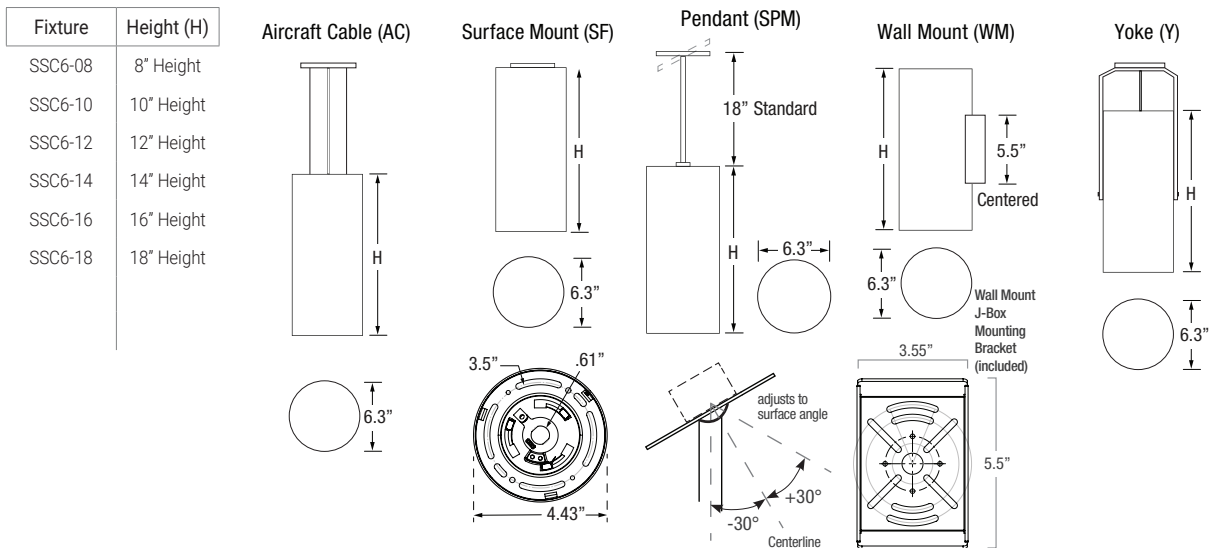
PHYSICAL

Mounting: Aircraft cable, slope pendant, surface, wall, yoke w/ twist-lock canopy.
Ingress Protection: Dry or damp locations IP43 rated
Finish: Six stage chemical iron phosphate conversion pre-treatment. Polyester powder coat finish, 18 µm Min., 3000hr salt spray test (ASTM B117) AAMA 2603 specification.
Warranty: 5-Year limited warranty (refer to website for details)
Housing: No visible seams or fasteners, marine grade, corrosion resistant, solid aluminum extrusion, high pressure die-cast aluminum components, black baffle.
Lens: IK05 impact compliant, clear anti-glare tempered glass
Vibration Resistance: Compliant with 1.5G ANSI C136.31, Seismic rated AC-156
Weight: 4-10 lbs (Depending on Length)
Operating Temperature: -22°F to 122°F (-30°C to 50°C)

ELECTRICAL

Voltage: Universal 120-277V AC
Power Supply: Integral Class II, electronic high-power factor >.90, THD < 20%, FCC Title 47 Part 15 Class A. EldoLED & Lutron optional.
Power Consumption: Up to 60W
Dimming: XA, XCR, E1, E2, L1, L2, T1, W1
Certification: CEC Title 24 - JA8 Compliant (93 CRI Only)
Standards: cETLus Listed, CE, NOM, and RoHS Compliant, tested to UL 1598 and UL 8750 standards / UL-Class I / IES LM-79 / LM-80 / FCC Part 15

PHYSICAL DIMENSIONS



Due to continuous development and improvements, specifications are subject to change without notice. Solid State Luminaires reserves the right to change lab test details or specifications without notice. Product use certifies agreement to Solid State Luminaires terms and conditions. **All stated specifications have a tolerance of +/- 7%.

Date: _____
 Type: _____
 Fixture: _____
 Project: _____

Approved: _____

SSC6 Premium Drivers without Battery Backup

PRODUCT CODE

EXAMPLE: SSC6-8-SPM18-UNV-930-10L-BKI-15-XA

MODEL	HEIGHT	MOUNTING	SUSP. LENGTH	VOLTAGE	COLOR	LUMENS	FINISH	OPTIC	DIMMING	OPTIONS
SSC6										

MODEL	HEIGHT	MOUNTING	SUSP. LENGTH	VOLTAGE	COLOR	LUMENS	FINISH	OPTIC nominal	w/SOFT FIELD	DIMMING	OPTIONS
MODEL SSC6	HEIGHT 8 8" Height 10 10" Height 12 12" Height 14 14" Height 16 16" Height 18 18" Height	MOUNTING AC Aircraft Cable SF Surface Mount SPM Pendant Mount WM Wall Mount Y Yoke (18"H Max)	AC/SPM SUSPENSION LENGTH Specify the optional suspension length in inches. (Top of fixture to ceiling) (AC & CM 4"-120" Max, Field Adjustable) (SPM 18" Standard, 4"-120" Max; 61"-120" w/LD & ET Only and stem comes in 2 sections) *Consult factory & price guide for other lengths.	VOLTAGE UNV Universal 120-277V AC	COLOR 927 (93CRI) 2700K (Standard) 930 (93CRI) 3000K (Standard) 935 (93CRI) 3500K (Standard) 940 (93CRI) 4000K (Standard) 957 (93CRI) 5700K (Standard) 830 (83CRI) 3000K (60L Only) 840 (83CRI) 4000K (55L Only) TW Tunable White (2700K-6500K) DW Dim-to-Warm (2700K-6500K)	LUMENS nominal 05L 500 lm (93 CRI Standard) 10L 1000 lm (93 CRI Standard) 15L 1500 lm (93 CRI Standard) 20L 2000 lm (93 CRI Standard) 25L 2500 lm (93 CRI Standard) 30L 3000 lm (93 CRI Standard) 35L 3500 lm (93 CRI Standard) 40L 4000 lm (Min 10" H) (93 CRI Standard) 45L 4500 lm (Min 10" H) (93 CRI Standard) 50L 5000 lm (Min 10" H) (93 CRI Standard) 60L 6000 lm (Min 14" H) (83 CRI Std)	FINISH BKI Black (AAMA 2603) BRI Bronze (AAMA 2603) SLI Silver (AAMA 2603) WHI White (AAMA 2603) CCI Custom Color (AAMA 2603)	OPTIC nominal 15 Spot (15°) 25 Mid Spot (25°) 40 Narrow Flood (40°) 50 Flood (50°) 72 Wide Flood (72°)	w/SOFT FIELD 15S Spot 25S Narrow Flood 40S Mid Flood 50S Flood 72S Wide Flood WW Wall Wash (25° Optic Only)	DIMMING XA DMX Dim to 0.1% (Only 10L-50L) (SF, SPM and WM Only) E1 eldoLED 0-10V, Dim to 0.1%, Dim-to-Off (Only 05L-50L) E2 eldoLED DALI-2 Dim to 0.1% (Only 05L-50L) (SF, SPM and WM Only) L1 Lutron Hi-Lume 1% Ecosystem (Digital Dimming), Soft-on Fade-to-Black (10L-30L) L2 Lutron Hi-Lume 1% 2-Wire (Forward Phase Dimming) (10L-30L) T1 0.1%, 0-10V, Tunable White (Only TW) (10L to 20L) W1 0.1%, 0-10V, Dim-to-Warm (Only DW) (10L to 20L)	OPTIONS CO Surface Mount Conduit Adapter

ACCESSORIES (Order separately.)

XCR Remote mount DMX to 0-10V Converter controls (1) or (2) circuits or fixtures w/0-10V Control Driver (E1, W1). Controls color & intensity (T1)

Due to continuous development and improvements, specifications are subject to change without notice. Solid State Luminaires reserves the right to change lab test details or specifications without notice. Product use certifies agreement to Solid State Luminaires terms and conditions. **All stated specifications have a tolerance of +/- 7%.



SSC6 Premium Drivers without Battery Backup

LUMENS

Model	Watts	940
SSC6	5 W	500 lm
	9 W	1000 lm
	13 W	1500 lm
	18 W	2000 lm
	23 W	2500 lm
	27 W	3000 lm
	32 W	3500 lm
	37 W	4000 lm
	42 W	4500 lm
	46 W	5000 lm
60 W	6000 lm	

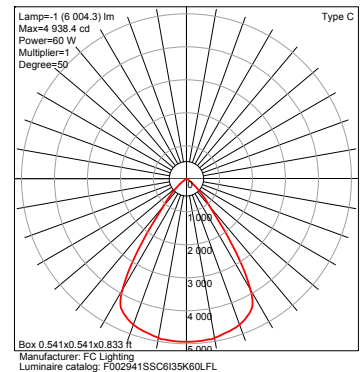
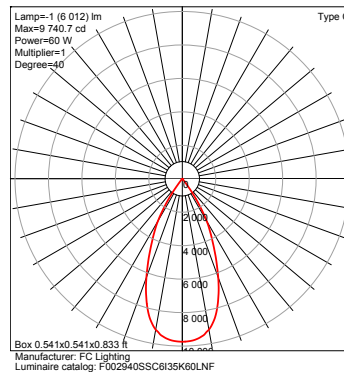
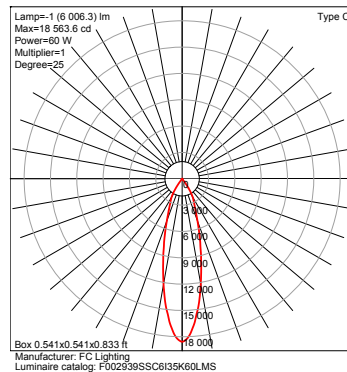
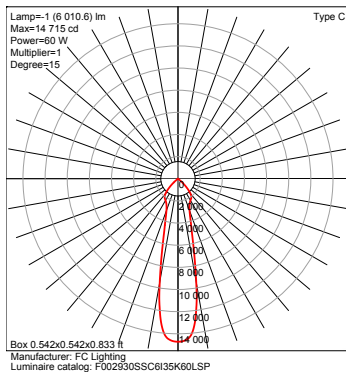
IES Multiplier	
Color	Multiplier
927	0.93
930	0.97
935	0.99
940	1.00

*83CRI≤1.15 Consult factory.

TRIAC & ELV Approved Dimmer List	
Manufacturer	Manufacturer Part Number
Lutron	Glyder GLV-600
	Diva DVLV-600P
	Diva DV-600P
	Diva DVELV-600P(303)
	Maestro MALV-600
	Nova T NT-1000
	Nova T NTELV-600
Leviton	Skylark SLV-600P
	RadioRA2-10ND
	SureSlide 6633
	Illumatech IPE04

0-10V Approved Dimmer List	
Manufacturer	Manufacturer Part Number
Lutron	Diva DVSTV-XX
	Diva DVSTV-453PH-WH1
Leviton	Illumatech 010-IP710-DLZ

PHOTOMETRICS



Due to continuous development and improvements, specifications are subject to change without notice. Solid State Luminaires reserves the right to change lab test details or specifications without notice. Product use certifies agreement to Solid State Luminaires terms and conditions. **All stated specifications have a tolerance of +/- 7%.



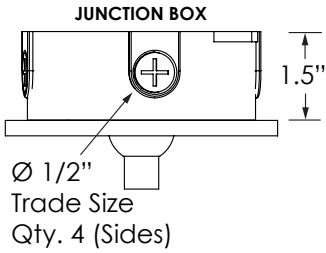
US Commercial Lighting Manufacturer Since 1982

SSC6 Premium Drivers without Battery Backup

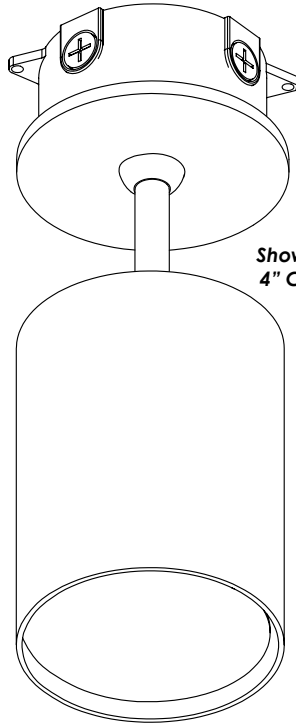
CO Option

Surface Mount Conduit Adapter

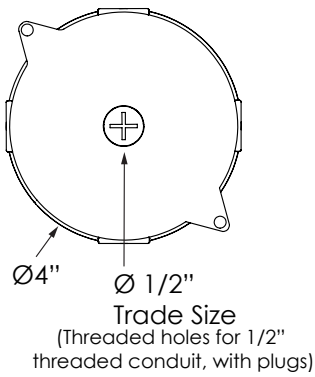
For wall or ceiling installation.
NOT for use in upright pier mount.



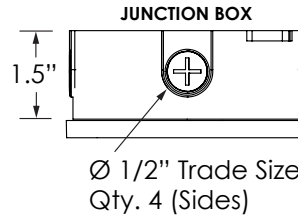
**SURFACE MOUNT
CONDUIT ADAPTER**
(for SPM Cylinders)



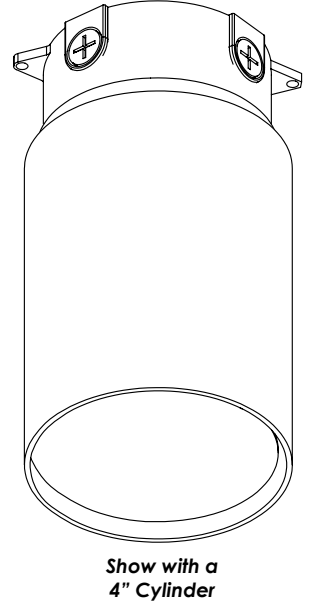
**TOP VIEW
JUNCTION BOX**
(Hole Center Top)



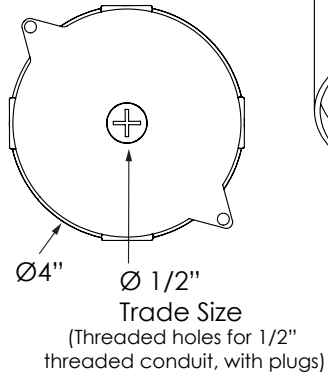
For wall or ceiling installation.
NOT for use in upright pier mount.



**SURFACE MOUNT
CONDUIT ADAPTER**
(for AC, CM, SF Cylinders)



**TOP VIEW
JUNCTION BOX**
(Hole Center Top)



**Surface Mount Conduit Adapter can be added to any
of the AC, CM, SF and SPM Mounts**

