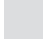





# SSC6G Standard Drivers w/ Glow Rings

6" Round seamless indoor cylinders with glow rings



- Frosted 
- Amber 
- Red 
- Blue 



(Black Finish w/ Amber Glow Ring Shown Above)



## FEATURES

- Multiple finish & glow ring color options
- Up to 5W Min @ 60W Max, Over 100 LPW
- Multiple dimming options
- Tool-less field interchangeable optics
- No visible seams or fasteners
- 1.5G Vibration Tested
- 93 CRI with 2 SDCM

## PERFORMANCE

**Beam Spread:** 15° | 25° | 45° | 50°  
**CCT Options:** 2700K, 3000K, 3500K, 4000K, 5700K  
**CRI:** 93 CRI  
**Consistency:** 2 SDCM (Fixture to Fixture)  
**Lumens:** 500-5500 lm  
**Lifetime:** > 70,000 hours / L70 or better

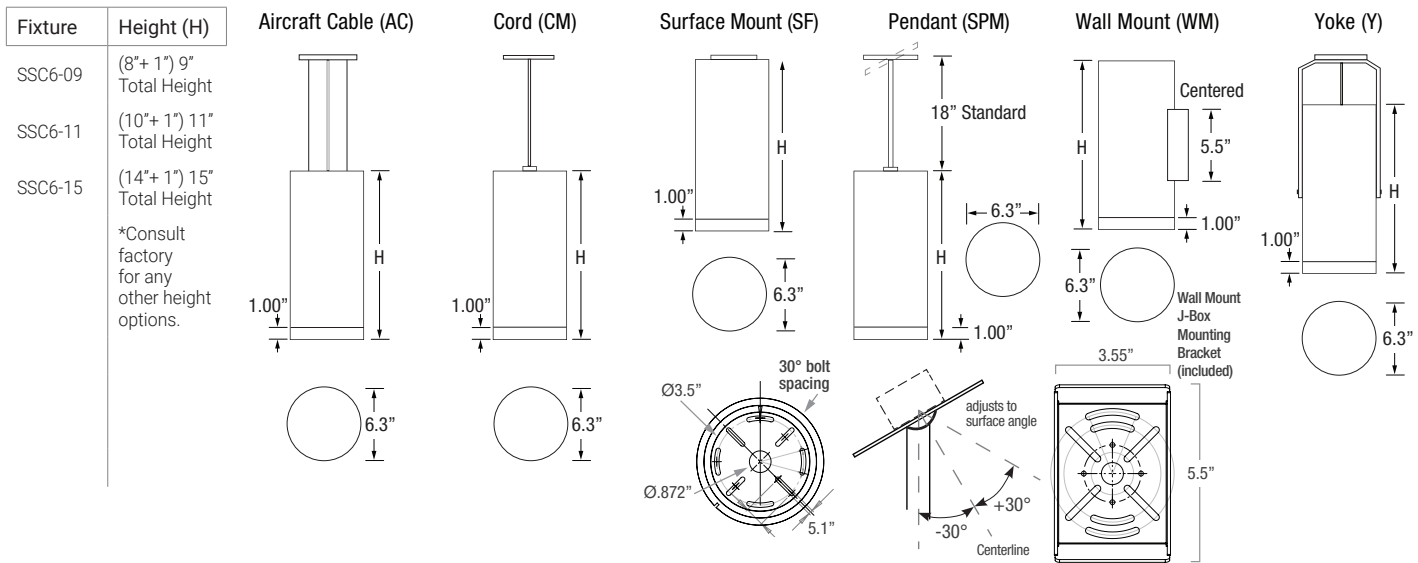
## PHYSICAL

**Mounting:** Aircraft cable, cord, slope pendant, surface, wall, yoke mounts with twist-lock canopy. Twist-lock canopy mounts to standard Octagon J-Box.  
**Ingress Protection:** Dry or damp locations IP43 rated  
**Finish:** Six stage chemical iron phosphate conversion pre-treatment. Polyester powder coat finish, 18 µm Min., 3000hr salt spray test (ASTM B117) AAMA 2603 specification.  
**Warranty:** 5-Year limited warranty (refer to website for details)  
**Housing:** No visible seams or fasteners, marine grade, corrosion resistant, solid aluminum extrusion, high pressure die-cast aluminum components, black baffle.  
**Lens:** IK07 impact compliant, clear anti-glare tempered glass. Acrylic glow ring.  
**Vibration Resistance:** Compliant with 1.5G ANSI C136.31, Seismic rated AC-156  
**Weight:** 4-10 lbs (Depending on Length)  
**Operating Temperature:** -22°F to 122°F (-30°C to 50°C)

## ELECTRICAL

**Voltage:** Universal 120-277V AC standard, 347V optional  
**Power Supply:** Integral Class II, electronic high-power factor >.90, THD < 20%, FCC Title 47 Part 15 Class A.  
**Power Consumption:** Up to 60W  
**Dimming:** Standard: 0-10V Dimming, 1% | optional: ET, XCR | \*Other commercial grade systems can be subject to testing or approval via factory request (equipment by others).  
**Certification:** CEC Title 24 - JA8 Compliant (93 CRI Only)  
**Standards:** cETLus Listed, CE, NOM, and RoHS Compliant, tested to UL 1598 and UL 8750 standards / UL-Class I / IES LM-79 / LM-80 / FCC Part 15

## PHYSICAL DIMENSIONS



Due to continuous development and improvements, specifications are subject to change without notice. Solid State Luminaires reserves the right to change lab test details or specifications without notice. Product use certifies agreement to Solid State Luminaires terms and conditions. All stated specifications have a tolerance of +/- 7%.

# SSC6G Standard Drivers w/ Glow Rings

## PRODUCT CODE

EXAMPLE: SSC6G-15-SPM18-UNV-930-10L-BKI-15-LD-GRR

MODEL	HEIGHT	MOUNTING	SUSP. LENGTH	VOLTAGE	COLOR	LUMENS	FINISH	OPTIC	DIMMING	OPTIONS	BACKUP
SSC6G											

**MODEL**  
SSC6G

**HEIGHT**  
**9** (8"+ 1") 9" Total Height  
**11** (10"+ 1") 11" Total Height  
**15** (14"+ 1") 15" Total Height  
 \*Consult factory for any other height options.

**MOUNTING**  
**AC** Aircraft Cable  
**CM** Cord Mount (15"H Max)  
**SF** Surface Mount  
**SPM** Pendant Mount  
**WM** Wall Mount  
**Y** Yoke (18" Max)

**AC/CM/SPM SUSPENSION LENGTH**  
 Specify the optional suspension length in inches. (Top of fixture to ceiling) (AC & CM 4"-120" Max, Field Adjustable) (SPM 18" Standard, 4"-120" Max; 61"-120" w/LD & ET Only and stem comes in 2 sections) \*Consult factory & price guide for other lengths.

**VOLTAGE**  
**UNV** Universal 120-277V AC  
**347V** 347 Volt AC (Only SF, SPM, WM Mounts) (0-10V Dim Only)

**ACCESSORIES** (Order separately.)

**XCR** Remote mount DMX to 0-10V Converter controls (1) or (2) circuits or fixtures w/0-10V Control Driver (LD)

**COLOR**  
**927** (93CRI) 2700K (Standard)  
**930** (93CRI) 3000K (Standard)  
**935** (93CRI) 3500K (Standard)  
**940** (93CRI) 4000K (Standard)  
**957** (93CRI) 5700K (Standard)  
**830** (83CRI) 3000K (55L Only)  
**840** (83CRI) 4000K (55L Only)

**LUMENS**  
**05L** 500 lm (93 CRI Standard)  
**10L** 1000 lm (93 CRI Standard)  
**15L** 1500 lm (93 CRI Standard)  
**20L** 2000 lm (93 CRI Standard)  
**25L** 2500 lm (93 CRI Standard)  
**30L** 3000 lm (93 CRI Standard)  
**35L** 3500 lm (93 CRI Standard)  
**40L** 4000 lm (Min fixture height of 11") (93 CRI Standard)  
**45L** 4500 lm (Min fixture height of 11") (93 CRI Standard)  
**50L** 5000 lm (Min fixture height of 11") (93 CRI Standard)  
**55L** 5500 lm (Min fixture height of 15") (83 CRI Only)

**FINISH**  
**BKI** Black (AAMA 2603)  
**BRI** Bronze (AAMA 2603)  
**SLI** Silver (AAMA 2603)  
**WHI** White (AAMA 2603)  
**CCI** Custom Color (AAMA 2603)

**OPTIC nominal**  
**15** Spot (15°)  
**25** Mid Spot (25°)  
**45** Narrow Flood (45°)  
**50** Flood (50°)

**DIMMING**  
**LD** 0-10V Dimming, 1% (Standard)  
**ET** ELV or TRIAC Driver (Only 10L-45L, 120V Phase Dimming Only with UNV Driver)  
 \*Other commercial grade systems can be subject to testing or approval via factory request (equipment by others).

**OPTIONS 1**  
**GRF** Glow Ring Frosted  
**GRR** Glow Ring Red  
**GRA** Glow Ring Amber  
**GRB** Glow Ring Blue

**OPTIONS 2**  
**CO** Surface Mount Conduit Adapter

**BACKUP**  
**N/A** (Leave blank)

# SSC6G Standard Drivers w/ Glow Rings

## LUMENS nominal

Model	Watts	935
SSC6G	5 W	500 lm
	9 W	1000 lm
	13 W	1500 lm
	18 W	2000 lm
	23 W	2500 lm
	27 W	3000 lm
	32 W	3500 lm
	37 W	4000 lm
	42 W	4500 lm
	46 W	5000 lm
	53 W	5500 lm
	60 W	6000 lm

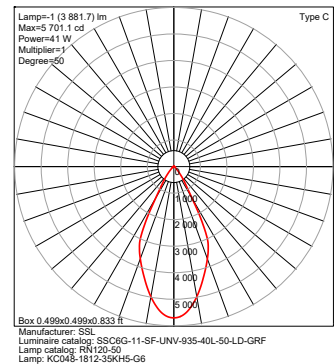
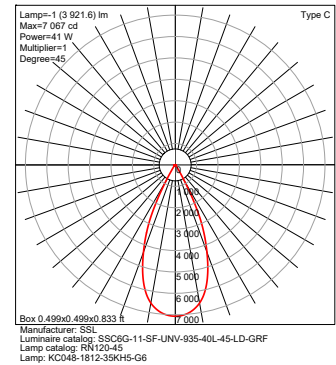
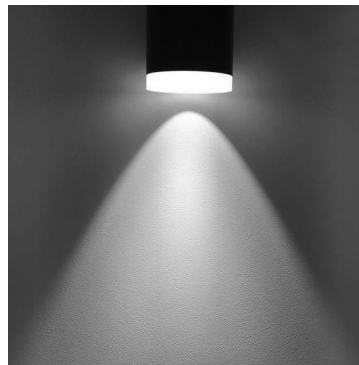
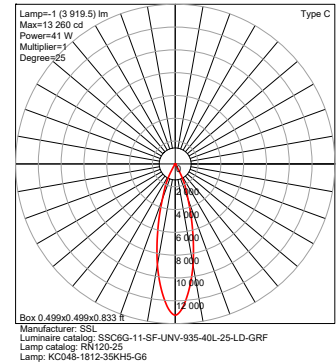
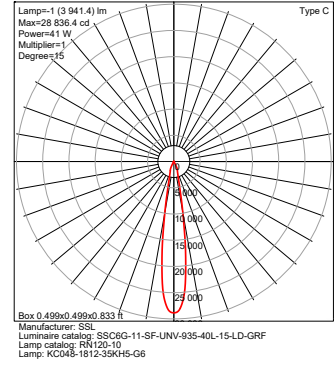
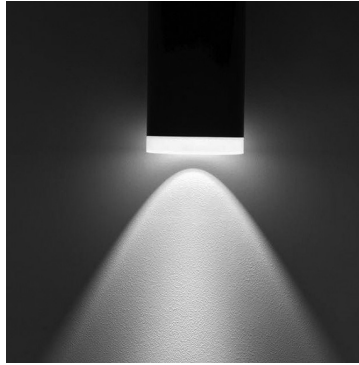
IES Multiplier	
Color	Multiplier
927	0.95
930	0.98
935	1.00
940	1.01
957	1.04
830	1.26
840	1.29

TRIAC & ELV Approved Dimmer List	
Manufacturer	Manufacturer Part Number
Lutron	Glyder GLV-600
	Diva DVLV-600P
	Diva DV-600P
	Diva DVELV-600P(303)
	Maestro MALV-600
	Nova T NT-1000
	Nova T NTELV-600
	Skylark SLV-600P
RadioRA2-10ND	
Leviton	SureSlide 6633
	Illumatech IPE04

0-10V Approved Dimmer List	
Manufacturer	Manufacturer Part Number
Lutron	Diva DVSTV-XX
	Diva DVSTV-453PH-WH1
Leviton	Illumatech 010-IP710-DLZ

## PHOTOMETRICS

(Below photos and graphs are shown with frosted drop diffusers or glow rings.)



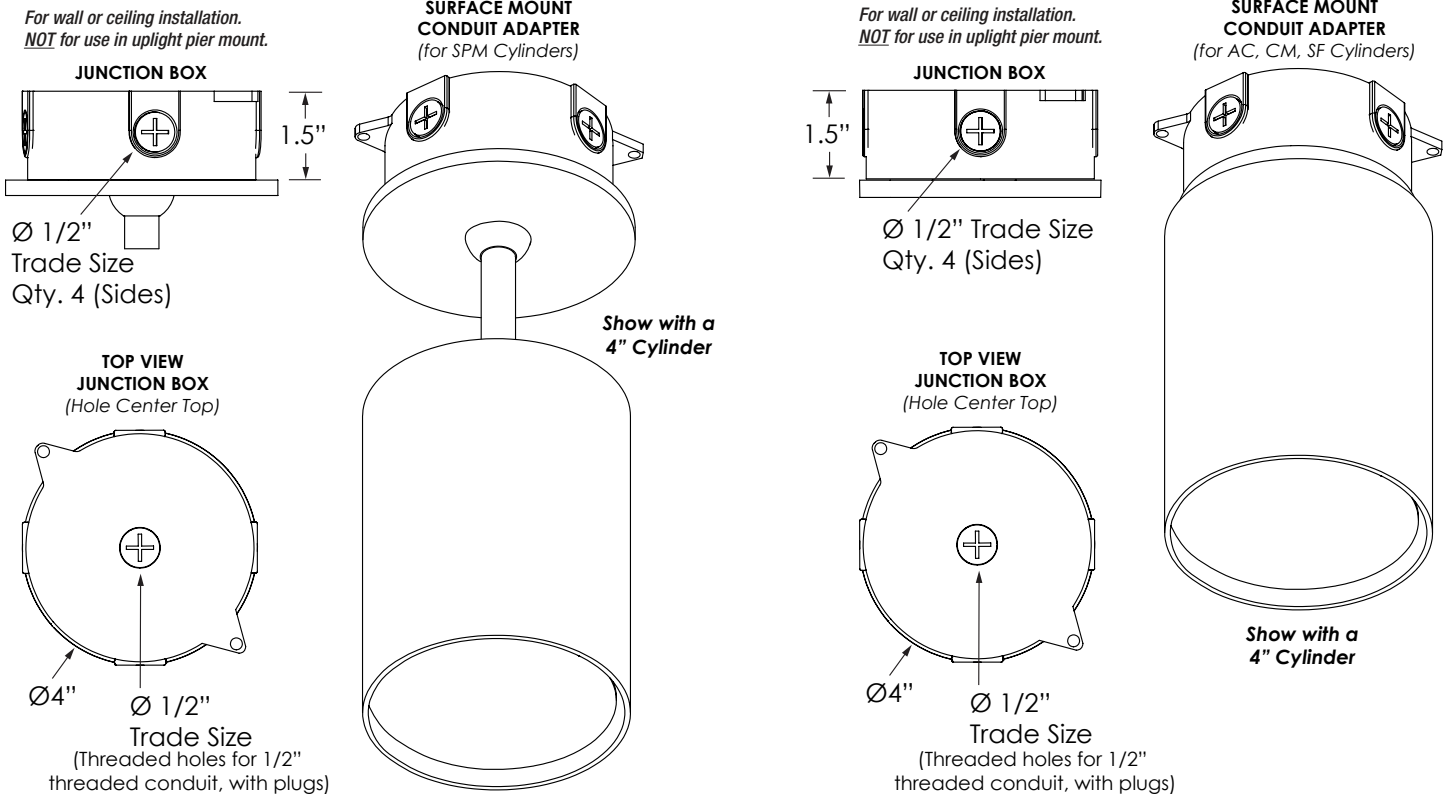
Due to continuous development and improvements, specifications are subject to change without notice. Solid State Luminaires reserves the right to change lab test details or specifications without notice. Product use certifies agreement to Solid State Luminaires terms and conditions. All stated specifications have a tolerance of +/- 7%.



# SSC6G Standard Drivers w/ Glow Rings

## CO Option

Glow Ring Frosted



**Surface Mount Conduit Adapter can be added to any of the AC, CM, SF and SPM Mounts**

