





Date: _____
 Type: _____
 Fixture: _____
 Project: _____

Approved: _____

SSC6GR Remote Driver & Battery Backup w/ Glow Rings

6" Round seamless indoor cylinders with glow rings



- Frosted 
- Amber 
- Red 
- Blue 

FEATURES

- Multiple finish & glow ring color options
- Up to 5W Min @ 60W Max, Over 100 LPW
- Multiple dimming options
- Tool-less field interchangeable optics
- No visible seams or fasteners
- 1.5G Vibration Tested
- 93 CRI with 2 SDCM

PERFORMANCE

Beam Spread: 15° | 25° | 45° | 50°
CCT Options: 2700K, 3000K, 3500K, 4000K, 5700K
CRI: 93 CRI
Consistency: 2 SDCM (Fixture to Fixture)
Lumens: 500-5500 lm
Lifetime: > 70,000 hours / L70 or better



(Black Finish w/ Amber Glow Ring Shown Above)



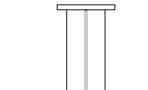
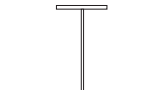
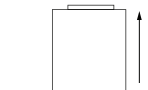
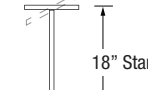
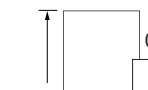
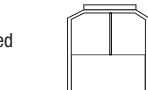
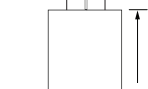
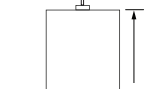

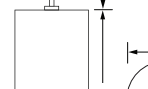
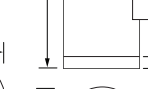

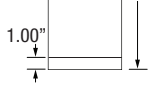
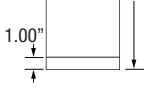

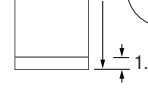
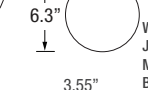
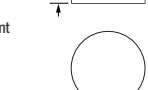
PHYSICAL

Mounting: Aircraft cable, cord, slope pendant, surface, wall, yoke mounts with twist-lock canopy. Twist-lock canopy mounts to standard Octagon J-Box.
Ingress Protection: Dry or damp locations IP43 rated
Finish: Six stage chemical iron phosphate conversion pre-treatment. Polyester powder coat finish, 18 µm Min., 3000hr salt spray test (ASTM B117) AAMA 2603 specification.
Warranty: 5-Year limited warranty (refer to website for details)
Housing: No visible seams or fasteners, marine grade, corrosion resistant, solid aluminum extrusion, high pressure die-cast aluminum components, black baffle.
Lens: IK07 impact compliant, clear anti-glare tempered glass. Acrylic glow ring.
Vibration Resistance: Compliant with 1.5G ANSI C136.31, Seismic rated AC-156
Weight: 4-10 lbs (Depending on Length)
Operating Temperature: -22°F to 122°F (-30°C to 50°C)

ELECTRICAL

Voltage: Universal 120-277V AC
Power Supply: Integral Class II, electronic high-power factor >.90, THD < 20%, FCC Title 47 Part 15 Class A. EldoLED & Lutron optional.
Power Consumption: Up to 60W
Dimming: Standard: 0-10V Dimming, 1% | Optional: ET, XA, XB, E1, E2, L1, L2, T1, W1, XRC | *Other commercial grade systems can be subject to testing or approval via factory request (equipment by others).
Certification: CEC Title 24 - JA8 Compliant (93 CRI Only)
Standards: cETLus Listed, CE, NOM, and RoHS Compliant, tested to UL 1598 and UL 8750 standards / UL-Class I / IES LM-79 / LM-80 / FCC Part 15

PHYSICAL DIMENSIONS

Fixture	Height (H)	Aircraft Cable (AC)	Cord (CM)	Surface Mount (SF)	Pendant (SPM)	Wall Mount (WM)	Yoke (Y)
SSC6-09	(8" ± 1") 9" Total Height						
SSC6-11	(10" ± 1") 11" Total Height						
SSC6-15	(14" ± 1") 15" Total Height *Consult factory for any height options.						

Due to continuous development and improvements, specifications are subject to change without notice. Solid State Luminaires reserves the right to change lab test details or specifications without notice. Product use certifies agreement to Solid State Luminaires terms and conditions. All stated specifications have a tolerance of +/- 7%.

SSC6GR Remote Driver & Battery Backup w/ Glow Rings

PRODUCT CODE

EXAMPLE: SSC6GR-15-SPM18-UNV-930-10L-BKI-15-LD-GRR

MODEL	HEIGHT	MOUNTING	SUSP. LENGTH	VOLTAGE	COLOR	LUMENS	FINISH	OPTIC	DIMMING	OPTIONS	BACKUP
SSC6GR											

MODEL
SSC6GR
 LED DRIVER REMOTE (INDOOR)
 IP20, IK08, NEMA 1, -20°C to +50°C,
 30' MAX Distance with 12AWG

HEIGHT
9 (8"+ 1") 9" Total Height
11 (10"+ 1") 11" Total Height
15 (14"+ 1") 15" Total Height
 *Consult factory for any other height options.

MOUNTING
AC Aircraft Cable w/Cord
CM Cord Mount (15"H Max)
SF Surface Mount
SPM Pendant Mount
WM Wall Mount
Y Yoke (18" Max)

AC/CM/SPM SUSPENSION LENGTH
 Specify the optional suspension length in inches. (Top of fixture to ceiling) (AC & CM 4"-120" Max, Field Adjustable) (SPM 18" Standard, 4"-120" Max; 61"-120" w/LD & ET Only and stem comes in 2 sections) *Consult factory & price guide for other lengths.

VOLTAGE
UNV Universal 120-277V AC

COLOR
927 (93CRI) 2700K
930 (93CRI) 3000K
935 (93CRI) 3500K
940 (93CRI) 4000K
957 (93CRI) 5700K
TW Tunable White (2700K-6500K)
DW Dim-to-Warm (2700K-6500K)

LUMENS
05L 500 lm (93 CRI Standard)
10L 1000 lm (93 CRI Standard)
15L 1500 lm (93 CRI Standard)
20L 2000 lm (93 CRI Standard)
25L 2500 lm (93 CRI Standard)
30L 3000 lm (93 CRI Standard)
35L 3500 lm (93 CRI Standard)
40L 4000 lm (93 CRI Standard)
45L 4500 lm (93 CRI Standard)
50L 5000 lm (93 CRI Standard)
55L 5500 lm (83 CRI Only)

FINISH
BKI Black (AAMA 2603)
BRI Bronze (AAMA 2603)
SLI Silver (AAMA 2603)
WHI White (AAMA 2603)
CCI Custom Color (AAMA 2603)

OPTIC nominal
15 Spot (15°)
25 Mid Spot (25°)
45 Narrow Flood (45°)
50 Flood (50°)

DIMMING
LD 0-10V Dimming, 1% (Standard)
ET ELV or TRIAC Driver (Only 10L-45L) (120V Phase Dimming Only with UNV Driver)
XA DMX Dim to 0.1% (Only 10L-50L) (55L Only)
XB DMX Dim to 1% (55L-60L Only. Includes DMX to 0-10V Converter)
E1 eldoLED 0-10V, Dim to 0.1%, Dim-to-Off (Only 05L-50L)
E2 eldoLED DALI-2, Dim to 0.1%, Dim-to-Off (Only 05L-50L)
L1 Lutron Hi-Lume 1% Ecosystem (Digital Dimming), Soft-on Fade-to-Black (10L-30L)
L2 Lutron Hi-Lume 1% 2-Wire (Forward Phase Dimming) (10L-30L)
T1 0.1%, 0-10V, Tunable White (Only TW) (10L to 20L)
W1 0.1%, 0-10V, Dim-to-Warm (Only DW) (10L to 20L)
 *Other commercial grade systems can be subject to testing or approval via factory request (equipment by others).

OPTIONS 1
GRF Glow Ring Frosted
GRR Glow Ring Red
GRA Glow Ring Amber
GRB Glow Ring Blue

OPTIONS 2
CO Surface Mount Conduit Adapter

BACKUP
BBUR BATTERY BACK-UP & LED DRIVER REMOTE (INDOOR), IP20, IK08, NEMA 1, 0°C to +48°C, 30' MAX Distance with 12AWG (w/UNV Option Only)
N/A (Leave blank if No Battery Backup Needed)

ACCESSORIES (Order separately.)

XCR Remote mount DMX to 0-10V Converter controls (1) or (2) circuits or fixtures w/0-10V Control Driver (LD, E1, W1, T1)

SSC6GR Remote Driver & Battery Backup w/ Glow Rings

LUMENS nominal

Model	Watts	935
SSC6GR	5 W	500 lm
	9 W	1000 lm
	13 W	1500 lm
	18 W	2000 lm
	23 W	2500 lm
	27 W	3000 lm
	32 W	3500 lm
	37 W	4000 lm
	42 W	4500 lm
	46 W	5000 lm
	53 W	5500 lm
	60 W	6000 lm

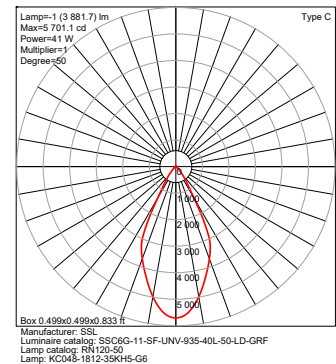
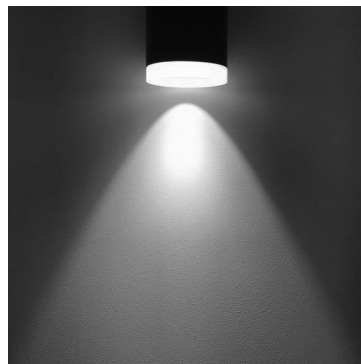
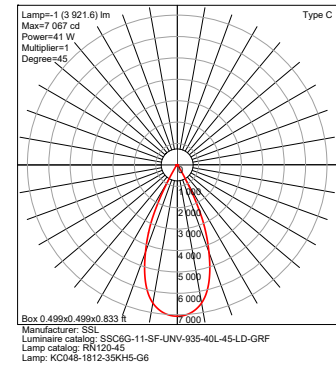
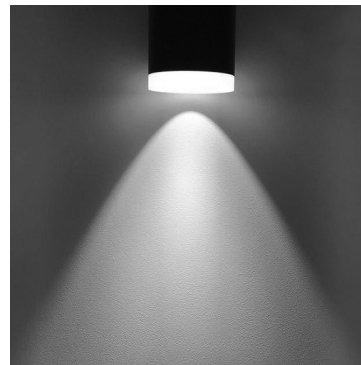
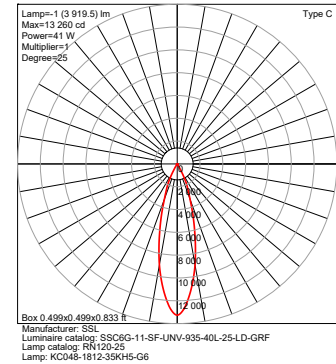
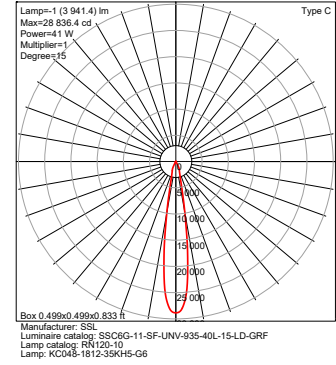
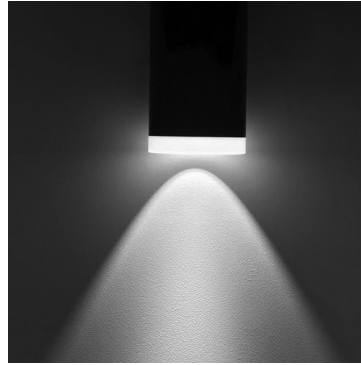
IES Multiplier	
Color	Multiplier
927	0.95
930	0.98
935	1.00
940	1.01
957	1.04
830	1.26
840	1.29

TRIAC & ELV Approved Dimmer List	
Manufacturer	Manufacturer Part Number
Lutron	Glyder GLV-600
	Diva DVLV-600P
	Diva DV-600P
	Diva DVELV-600P(303)
	Maestro MALV-600
	Nova T NT-1000
	Nova T NTELV-600
	Skylark SLV-600P
RadioRA2-10ND	
Leviton	SureSlide 6633
	Illumatech IPE04

0-10V Approved Dimmer List	
Manufacturer	Manufacturer Part Number
Lutron	Diva DVSTV-XX
	Diva DVSTV-453PH-WH1
Leviton	Illumatech 010-IP710-DLZ

PHOTOMETRICS

(Below photos and graphs are shown with frosted drop diffusers or glow rings.)



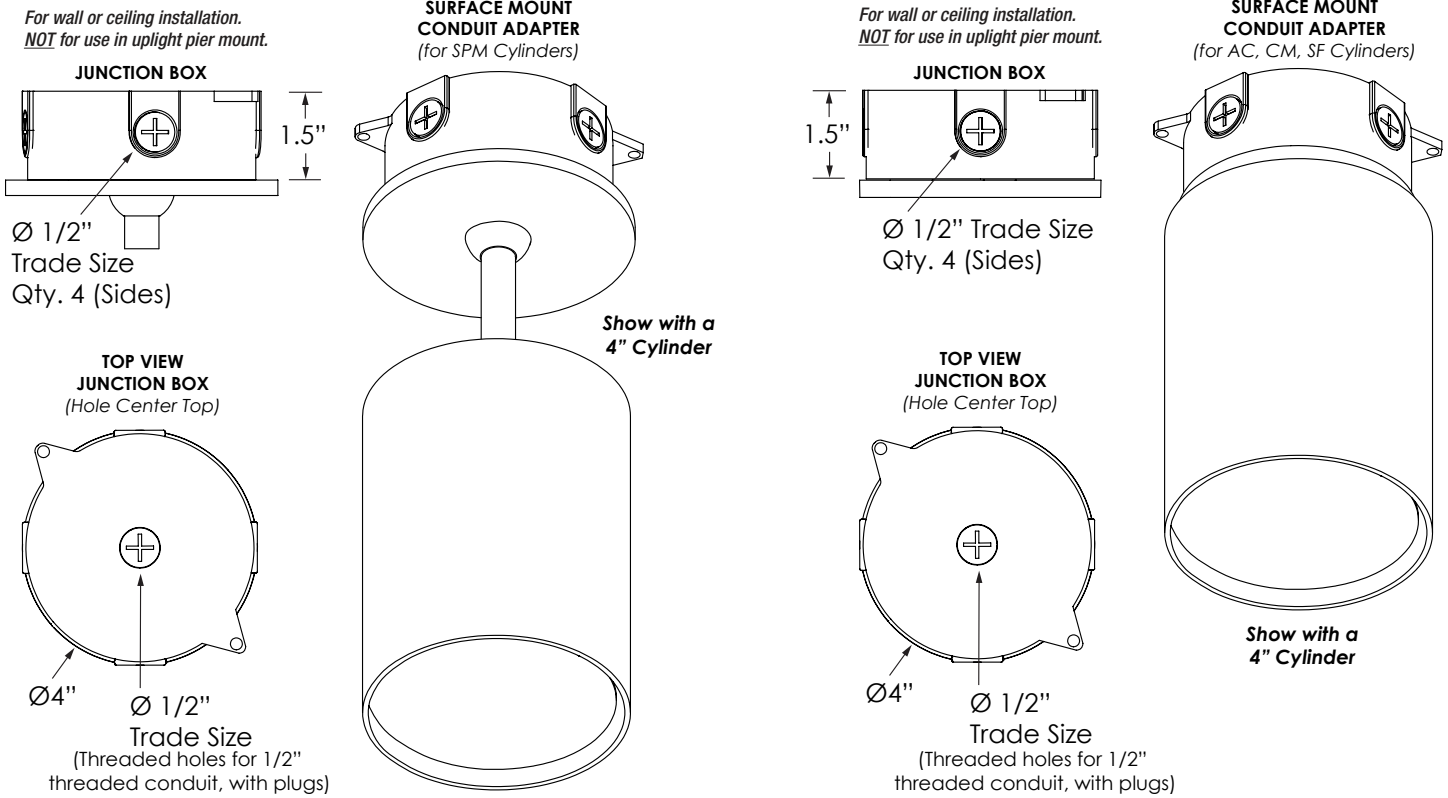
Due to continuous development and improvements, specifications are subject to change without notice. Solid State Luminaires reserves the right to change lab test details or specifications without notice. Product use certifies agreement to Solid State Luminaires terms and conditions. All stated specifications have a tolerance of +/- 7%.



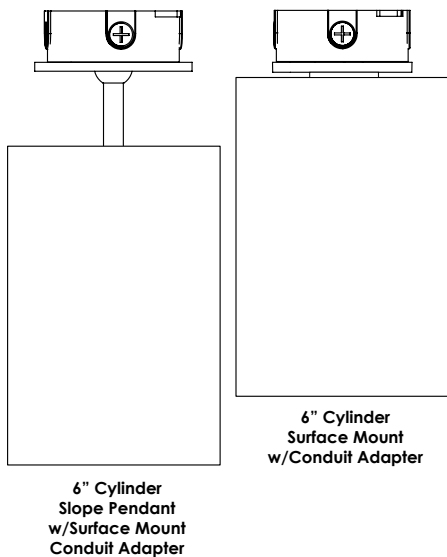
SSC6GR Remote Driver & Battery Backup w/ Glow Rings

CO Option

Glow Ring Frosted



Surface Mount Conduit Adapter can be added to any of the AC, CM, SF and SPM Mounts



SSC6GR Remote Driver & Battery Backup w/ Glow Rings

BATTERY BACK-UPS

BBUR - BATTERY BACK-UP & LED DRIVER REMOTE (INDOOR), IP20, IK08, NEMA 1, 0°C to +48°C, 30' MAX Distance with 12AWG (w/UNV Option Only)

