

Date: _____
 Type: _____
 Fixture: _____
 Project: _____

Approved: _____

SSC6G Integral Driver & Battery Backup w/ Glow Rings

6" Round seamless indoor cylinders with glow rings



- Frosted
- Amber
- Red
- Blue

FEATURES

- Multiple finish & glow ring color options
- Up to 13W Min @ 37W Max, Over 100 LPW
- No visible seams or fasteners
- Tool-less field interchangeable optics
- Integral battery backup and integral driver
- 1.5G Vibration Tested
- 93 CRI with 2 SDCM

PERFORMANCE

Beam Spread: 15° | 25° | 45° | 50°
CCT Options: 2700K, 3000K, 3500K, 4000K, 5700K
CRI: 93 CRI
Consistency: 2 SDCM (Fixture to Fixture)
Lumens: 1000-5000 lm
Lifetime: > 70,000 hours / L70 or better



(Black Finish w/ Amber Glow Ring Shown Above)



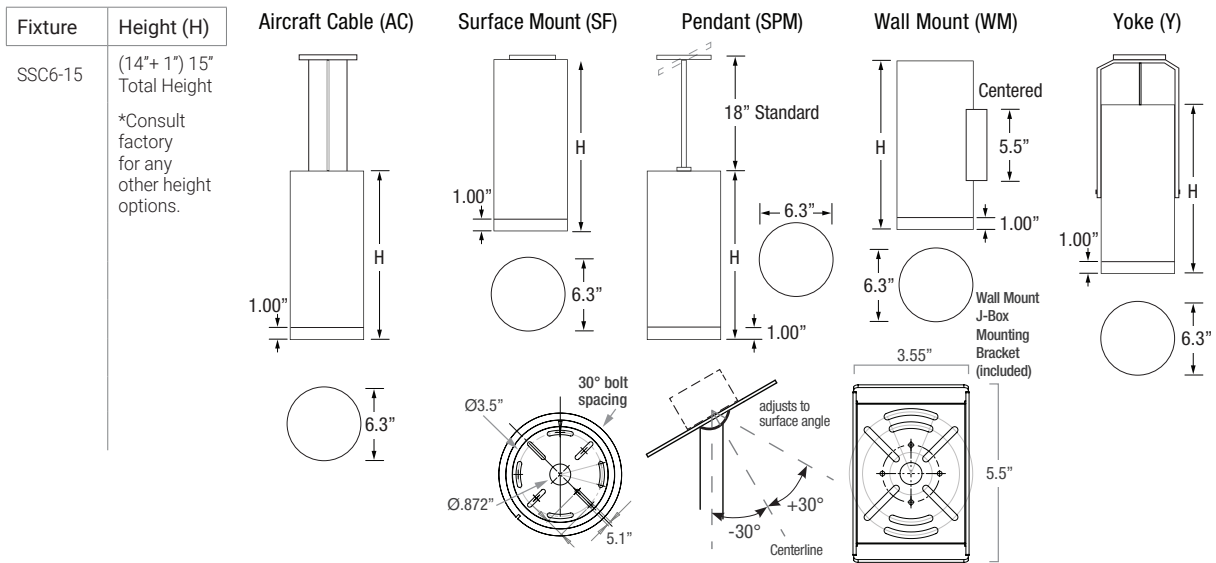
PHYSICAL

Mounting: Aircraft cable, slope pendant, surface, wall, yoke mounts with twist-lock canopy. Twist-lock canopy mounts to standard Octagon J-Box.
Ingress Protection: Dry or damp locations IP43 rated
Finish: Six stage chemical iron phosphate conversion pre-treatment. Polyester powder coat finish, 18 µm Min., 3000hr salt spray test (ASTM B117) AAMA 2603 specification.
Warranty: 5-Year limited warranty (refer to website for details)
Housing: No visible seams or fasteners, marine grade, corrosion resistant, solid aluminum extrusion, high pressure die-cast aluminum components, black baffle.
Lens: IK07 impact compliant, clear anti-glare tempered glass. Acrylic glow ring.
Vibration Resistance: Compliant with 1.5G ANSI C136.31, Seismic rated AC-156
Weight: 4-10 lbs (Depending on Length)
Operating Temperature: -22°F to 122°F (-30°C to 50°C)

ELECTRICAL

Voltage: Universal 120-277V AC
Power Supply: Integral Class II, electronic high-power factor >.90, THD < 20%, FCC Title 47 Part 15 Class A.
Power Consumption: Up to 40W
Dimming: Standard: 0-10V Dimming, 1% | Optional: ET, XCR | *Other commercial grade systems can be subject to testing or approval via factory request (equipment by others).
Certification: CEC Title 24 - JA8 Compliant (93 CRI Only)
Standards: cETLus Listed, CE, NOM, and RoHS Compliant, tested to UL 1598 and UL 8750 standards / UL-Class I / IES LM-79 / LM-80 / FCC Part 15

PHYSICAL DIMENSIONS



Due to continuous development and improvements, specifications are subject to change without notice. Solid State Luminaires reserves the right to change lab test details or specifications without notice. Product use certifies agreement to Solid State Luminaires terms and conditions. All stated specifications have a tolerance of +/- 7%.

SSC6G Integral Driver & Battery Backup w/ Glow Rings

PRODUCT CODE

EXAMPLE: SSC6G-SPM18-UNV-930-10L-BKI-15-LD-GRR

MODEL	HEIGHT	MOUNTING	SUSP. LENGTH	VOLTAGE	COLOR	LUMENS	FINISH	OPTIC	DIMMING	OPTIONS	BACKUP
SSC6G											

<p>MODEL SSC6G</p> <p>HEIGHT 15 (14"+ 1") 15" Total Height *Consult factory for any other height options.</p> <p>MOUNTING AC Aircraft Cable SF Surface Mount SPM Pendant Mount WM Wall Mount Y Yoke (18"H Max)</p> <p>AC/SPM SUSPENSION LENGTH Specify the optional suspension length in inches. (Top of fixture to ceiling) (AC & CM 4"-120" Max, Field Adjustable) (SPM 18" Standard, 4"-120" Max; 61"-120" w/LD & ET Only and stem comes in 2 sections) *Consult factory & price guide for other lengths.</p> <p>VOLTAGE UNV Universal 120-277V AC</p>	<p>COLOR 927 (93CRI) 2700K (Standard) 930 (93CRI) 3000K (Standard) 935 (93CRI) 3500K (Standard) 940 (93CRI) 4000K (Standard) 957 (93CRI) 5700K (Standard) 830 (83CRI) 3000K (55L Only) 840 (83CRI) 4000K (55L Only)</p> <p>LUMENS 10L 1000 lm 15L 1500 lm 20L 2000 lm 25L 2500 lm 30L 3000 lm 35L 3500 lm 40L 4000 lm 40L 4000 lm (93 CRI Standard) 45L 4500 lm (93 CRI Standard) 50L 5000 lm (93 CRI Standard) 55L 5500 lm (83 CRI Only)</p> <p>FINISH BKI Black (AAMA 2603) BRI Bronze (AAMA 2603) SLI Silver (AAMA 2603) WHI White (AAMA 2603) CCI Custom Color (AAMA 2603)</p>	<p>OPTIC nominal 15 Spot (15°) 25 Mid Spot (25°) 45 Narrow Flood (45°) 50 Flood (50°)</p> <p>DIMMING LD 0-10V Dimming, 1% (Standard) ET ELV or TRIAC Driver (Only 20L-45L) (120V Phase Dimming Only with UNV Driver) *Other commercial grade systems can be subject to testing or approval via factory request (equipment by others).</p> <p>OPTIONS 1 GRF Glow Ring Frosted GRR Glow Ring Red GRA Glow Ring Amber GRB Glow Ring Blue</p> <p>OPTIONS 2 CO Surface Mount Conduit Adapter</p> <p>BACKUP BBU Battery Backup, Integral</p>
--	---	--

ACCESSORIES (Order separately.)
 XCR Remote mount DMX to 0-10V Converter controls (1) or (2) circuits or fixtures w/0-10V Control Driver (LD)

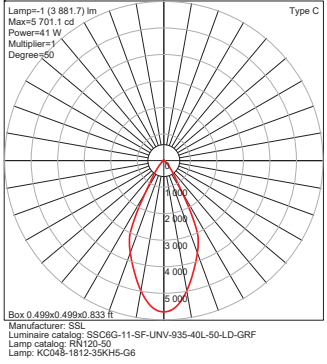
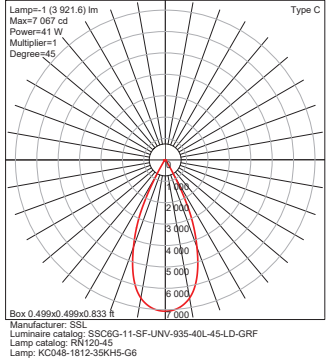
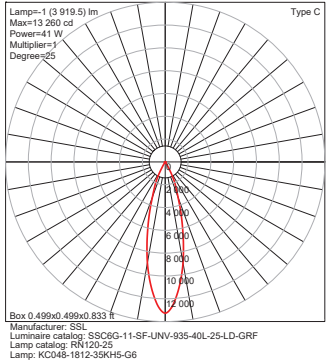
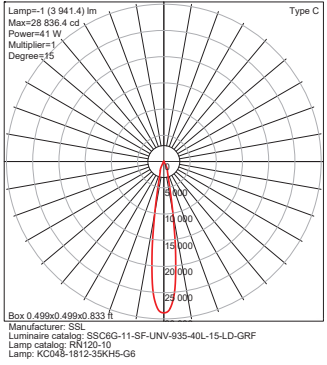
SSC6G Integral Driver & Battery Backup w/ Glow Rings

LUMENS nominal

Model	Watts	935
SSC6G	5 W	500 lm
	9 W	1000 lm
	13 W	1500 lm
	18 W	2000 lm
	23 W	2500 lm
	27 W	3000 lm
	32 W	3500 lm
	37 W	4000 lm

PHOTOMETRICS

(Below photos and graphs are shown with frosted drop diffusers or glow rings.)



IES Multiplier	
Color	Multiplier
927	0.95
930	0.98
935	1.00
940	1.01
957	1.04
830	1.26
840	1.29

TRIAC & ELV Approved Dimmer List	
Manufacturer	Manufacturer Part Number
Lutron	Glyder GLV-600
	Diva DVLV-600P
	Diva DV-600P
	Diva DVELV-600P(303)
	Maestro MALV-600
	Nova T NT-1000
	Nova T NTELV-600
	Skylark SLV-600P
RadioRA2-10ND	
Leviton	SureSlide 6633
	Illumatech IPE04

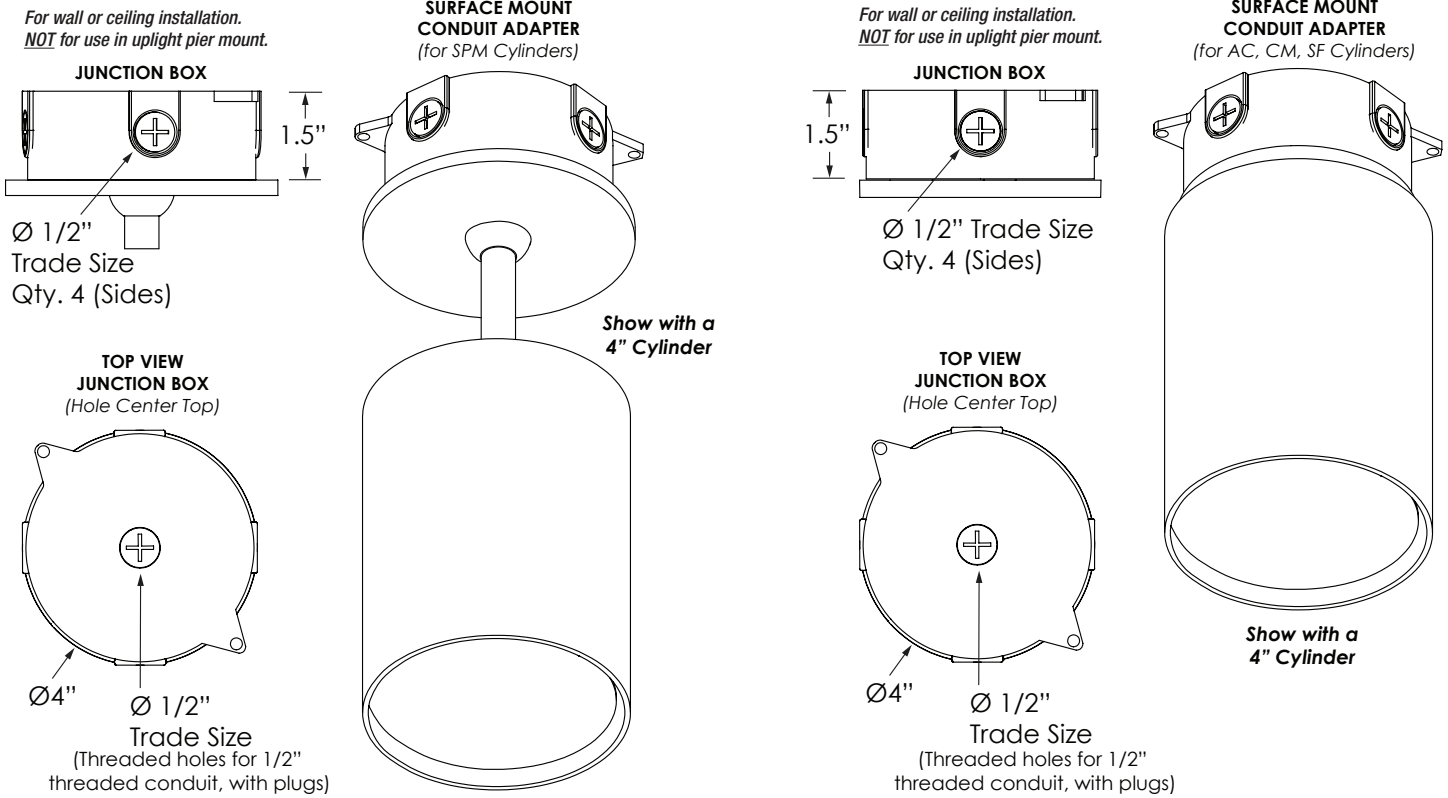
0-10V Approved Dimmer List	
Manufacturer	Manufacturer Part Number
Lutron	Diva DVSTV-XX
	Diva DVSTV-453PH-WH1
Leviton	Illumatech 010-IP710-DLZ

Due to continuous development and improvements, specifications are subject to change without notice. Solid State Luminaires reserves the right to change lab test details or specifications without notice. Product use certifies agreement to Solid State Luminaires terms and conditions. All stated specifications have a tolerance of +/- 7%.

SSC6G Integral Driver & Battery Backup w/ Glow Rings

CO Option

Glow Ring Frosted



Surface Mount Conduit Adapter can be added to any of the AC, CM, SF and SPM Mounts

