

Date: \_\_\_\_\_

Type: \_\_\_\_\_

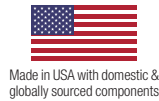
Fixture: \_\_\_\_\_

Project: \_\_\_\_\_

Approved: \_\_\_\_\_

# SSC6GA without Battery Backup

6" Round indoor cylinders with adjustable gimbals



## FEATURES

- Up to 3500 lm / 34W
- No visible seams or fasteners
- Tool-less field interchangeable optics
- Quick twist-lock mounting
- Adjustable gimbal
- 1.5G Vibration Tested
- 93 CRI with 2 SDCM

## PERFORMANCE

**Beam Spread:** 15° | 25° | 60°  
**CCT Options:** 2700K, 3000K, 3500K, 4000K  
**CRI:** 93 CRI  
**Consistency:** 2 SDCM (Fixture to Fixture)  
**Lumens:** 2000-3500 lm  
**Lifetime:** > 70,000 hours / L70 or better

## PHYSICAL

**Mounting:** Slope pendant and surface mounts with twist-lock canopy, and wall mount.

**Ingress Protection:** Dry or damp locations IP43 rated

**Finish:** Six stage chemical iron phosphate conversion pre-treatment. Polyester powder coat finish, 18 µm Min., 3000hr salt spray test (ASTM B117) AAMA 2603 specification.

**Warranty:** 5-Year limited warranty (refer to website for details)

**Housing:** Marine grade, corrosion resistant, solid aluminum extrusion, high pressure die-cast aluminum components, black baffle.

**Lens:** IK05 impact compliant, clear anti-glare tempered glass

**Vibration Resistance:** Compliant with 1.5G ANSI C136.31, Seismic rated AC-156

**Weight:** 8-12 lbs (Depending on Length)

**Operating Temperature:** -22°F to 122°F (-30°C to 50°C)

## ELECTRICAL

**Voltage:** Universal 120-277V AC standard, 347V optional

**Power Supply:** Integral Class II, electronic high-power factor >.90, THD < 20%, FCC Title 47 Part 15 Class A. EldoLED & Lutron optional.

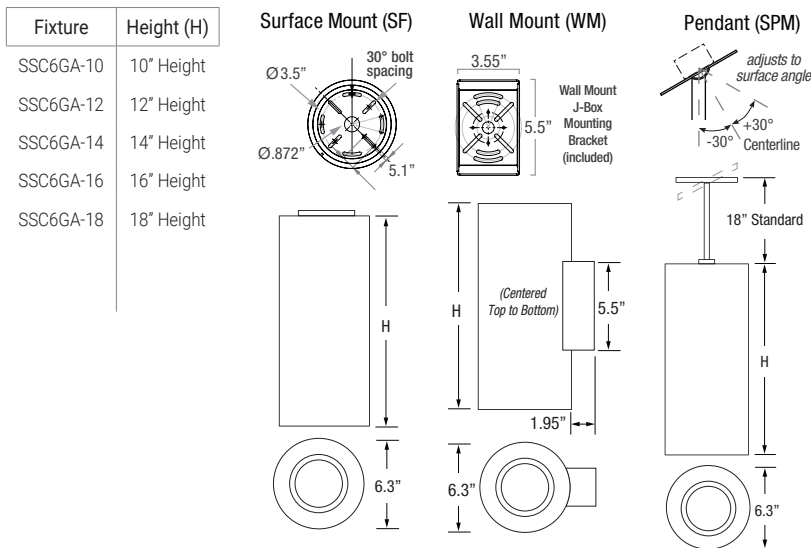
**Power Consumption:** Up to 2000 lm @ 18W

**Dimming:** LED dimming: standard Tri-Dim includes 0-10V, 1%, TRIAC and ELV

**Certification:** CEC Title 24 - JA8 Compliant (93 CRI Only)

**Standards:** cETLus Listed, CE, NOM, and RoHS Compliant.

## PHYSICAL DIMENSIONS



Due to continuous development and improvements, specifications are subject to change without notice. Solid State Luminaires reserves the right to change lab test details or specifications without notice. Product use certifies agreement to Solid State Luminaires terms and conditions. \*\*All stated specifications have a tolerance of +/- 7%.

# SSC6GA without Battery Backup

## PRODUCT CODE

EXAMPLE: SSC6GA-10-SPM18-UNV-930-10L-BKI-15-TD

MODEL	HEIGHT	MOUNTING	SUSP. LENGTH	VOLTAGE	COLOR	LUMENS	FINISH	OPTIC	DIMMING	OPTIONS	BATTERY
SSC6GA											
<b>MODEL</b> SSC6GA		<b>COLOR</b> 927 (93CRI) 2700K 930 (93CRI) 3000K 935 (93CRI) 3500K 940 (93CRI) 4000K		<b>OPTIC nominal</b> 15 15° Spot 25 25° Mid Spot 60 60° Flood		<b>w/SOFT FIELD</b> N/A (Leave Blank)		<b>DIMMING</b> TD Tri-Dim (0-10V 1%, TRIAC & ELV) LD347 0-10V 1% (347V Only)		<b>OPTIONS</b> HC Honeycomb Louver	
<b>HEIGHT</b> 10 10" Height 12 12" Height 14 14" Height 16 16" Height 18 18" Height		<b>LUMENS nominal</b> 20L 2000 lm @ 18 W 25L 2500 lm @ 23 W 30L 3000 lm @ 27 W 35L 3500 lm @ 34 W		<b>FINISH</b> BKI Black (AAMA 2603) BRI Bronze (AAMA 2603) SLI Silver (AAMA 2603) WHI White (AAMA 2603) CCI Custom Color (AAMA 2603)		<b>BATTERY</b> N/A (Leave blank)					
<b>MOUNTING</b> SF Surface Mount WM Wall Mount SPM Pendant Mount		<b>SPM LENGTH</b> Specify the optional suspension length in inches. (Top of fixture to ceiling) (AC & CM 4"-120" Max, Field Adjustable) (SPM 18" Standard, 4"-120" Max; 61"-120" w/LD & ET Only and stem comes in 2 sections) *Consult factory & price guide for other lengths.									
<b>VOLTAGE</b> UNV Universal 120-277 Volt AC 347V 347 Volt AC											

## ACCESSORIES (Order separately.)

# SSC6GA without Battery Backup

## LUMENS

Model	Watts	940
SSC6GA	18 W	2000 lm
	23 W	2500 lm
	27 W	3000 lm
	34 W	3500 lm

IES Multiplier	
Color	Multiplier
927	0.93
930	0.97
935	0.99
940	1.00

\*83CRI≤1.15 Consult factory.

TRIAC & ELV Approved Dimmer List	
Manufacturer	Manufacturer Part Number
Lutron	Glyder GLV-600
	Diva DVLV-600P
	Diva DV-600P
	Diva DVELV-600P(303)
	Maestro MALV-600
	Nova T NT-1000
	Nova T NTELV-600
Leviton	Skylark SLV-600P
	RadioRA2-10ND
	SureSlide 6633
	Illumatech IPE04

0-10V Approved Dimmer List	
Manufacturer	Manufacturer Part Number
Lutron	Diva DVSTV-XX
	Diva DVSTV-453PH-WH1
Leviton	Illumatech 010-IP710-DLZ

## PHOTOMETRICS

