

SSC6DR Remote Driver & Battery Backup w/ Drop Diffusers

6" Round seamless indoor cylinders with drop diffusers



- Frosted
- Amber
- Red
- Blue

FEATURES

- Multiple finish & drop diffuser color options
- Up to 5W Min @ 60W Max, Over 100 LPW
- Multiple dimming options
- Tool-less field interchangeable optics
- No visible seams or fasteners
- 1.5G Vibration Tested
- 93 CRI with 2 SDCM

PERFORMANCE

- Beam Spread:** 15° | 25° | 40°
- CCT Options:** 2700K, 3000K, 3500K, 4000K, 5700K
- CRI:** 93 CRI
- Consistency:** 2 SDCM (Fixture to Fixture)
- Lumens:** 500-5500 lm
- Lifetime:** > 70,000 hours / L70 or better



(Silver Finish w/ Blue Drop Diffuser Shown Above)



PHYSICAL

- Mounting:** Aircraft cable, cord, slope pendant, surface, wall, yoke mounts with twist-lock canopy. Twist-lock canopy mounts to standard Octagon J-Box.
- Ingress Protection:** Dry or damp locations IP43 rated
- Finish:** Six stage chemical iron phosphate conversion pre-treatment. Polyester powder coat finish, 18 µm Min., 3000hr salt spray test (ASTM B117) AAMA 2603 specification.
- Warranty:** 5-Year limited warranty (refer to website for details)
- Housing:** No visible seams or fasteners, marine grade, corrosion resistant, solid aluminum extrusion, high pressure die-cast aluminum components, black baffle.
- Lens:** IK07 impact compliant, clear anti-glare tempered glass. Acrylic drop diffuser.
- Vibration Resistance:** Compliant with 1.5G ANSI C136.31, Seismic rated AC-156
- Weight:** 4-10 lbs (Depending on Length)
- Operating Temperature:** -22°F to 122°F (-30°C to 50°C)

ELECTRICAL

- Voltage:** Universal 120-277V AC
- Power Supply:** Integral Class II, electronic high-power factor >.90, THD < 20%, FCC Title 47 Part 15 Class A. EldoLED & Lutron optional.
- Power Consumption:** Up to 60W
- Dimming:** Standard: 0-10V Dimming, 1% | Optional: ET, XA, XB, E1, E2, L1, L2, T1, W1, | *Other commercial grade systems can be subject to testing or approval via factory request (equipment by others).
- Certification:** CEC Title 24 - JA8 Compliant (93 CRI Only)
- Standards:** cETLus Listed, CE, NOM, and RoHS Compliant, tested to UL 1598 and UL 8750 standards / UL-Class I / IES LM-79 / LM-80 / FCC Part 15

PHYSICAL DIMENSIONS

Fixture	Height (H)	Aircraft Cable (AC)	Cord (CM)	Surface Mount (SF)	Pendant (SPM)	Wall Mount (WM)	Yoke (Y)
SSC6-12	(8"+ 4.48") 12.23" Total Height						
SSC6-14	(10"+ 4.48") 14.48" Total Height						
SSC6-18	(14"+ 4.48") 18.48" Total Height						

*Consult factory for any other height options.

Additional details for Surface Mount: 30° bolt spacing, Ø.3.5", Ø.872", 5.1" diameter.

Additional details for Pendant: adjusts to surface angle, +30°, -30°, Centerline.

Additional details for Wall Mount: Wall Mount J-Box Mounting Bracket (included), 3.55" width, 5.5" height.

Due to continuous development and improvements, specifications are subject to change without notice. Solid State Luminaires reserves the right to change lab test details or specifications without notice. Product use certifies agreement to Solid State Luminaires terms and conditions. All stated specifications have a tolerance of +/- 7%.

Date: _____
 Type: _____
 Fixture: _____
 Project: _____

Approved: _____

SSC6DR Remote Driver & Battery Backup w/ Drop Diffusers

PRODUCT CODE

EXAMPLE: SSC6DR-18-SPM18-UNV-930-10L-BKI-15-LD-DDR

MODEL	HEIGHT	MOUNTING	SUSP. LENGTH	VOLTAGE	COLOR	LUMENS	FINISH	OPTIC	DIMMING	OPTIONS	BACKUP
SSC6DR											

MODEL
SSC6DR
 LED DRIVER REMOTE (INDOOR)
 IP20, IK08, NEMA 1, -20°C to +50°C,
 30' MAX Distance with 12AWG

HEIGHT

12	(8"+ 4.48") 12.23" Total Height
14	(10"+ 4.48") 14.48" Total Height
18	(14"+ 4.48") 18.48" Total Height

*Consult factory for any other height options.

MOUNTING

AC	Aircraft Cable w/Cord
CM	Cord Mount (14"H Max)
SF	Surface Mount
SPM	Pendant Mount
WM	Wall Mount
Y	Yoke (18" Max)

AC/CM/SPM SUSPENSION LENGTH

Specify the optional suspension length in inches. (Top of fixture to ceiling) (AC & CM 4"-120" Max, Field Adjustable) (SPM 18" Standard, 4"-120" Max; 61"-120" w/LD & ET Only and stem comes in 2 sections) *Consult factory & price guide for other lengths.

VOLTAGE

UNV Universal 120-277V AC

ACCESSORIES (Order separately.)

XCR Remote mount DMX to 0-10V Converter controls (1) or (2) circuits or fixtures w/0-10V Control Driver (LD, E1, W1, T1)

COLOR

927	(93CRI) 2700K
930	(93CRI) 3000K
935	(93CRI) 3500K
940	(93CRI) 4000K
957	(93CRI) 5700K
TW	Tunable White (2700K-6500K)
DW	Dim-to-Warm (2700K-6500K)

LUMENS

05L	500 lm (93 CRI Standard)
10L	1000 lm (93 CRI Standard)
15L	1500 lm (93 CRI Standard)
20L	2000 lm (93 CRI Standard)
25L	2500 lm (93 CRI Standard)
30L	3000 lm (93 CRI Standard)
35L	3500 lm (93 CRI Standard)
40L	4000 lm (93 CRI Standard)
45L	4500 lm (93 CRI Standard)
50L	5000 lm (93 CRI Standard)
55L	5500 lm (83 CRI Only)

FINISH

BKI	Black (AAMA 2603)
BRI	Bronze (AAMA 2603)
SLI	Silver (AAMA 2603)
WHI	White (AAMA 2603)
CCI	Custom Color (AAMA 2603)

OPTIC nominal

15	Spot (15°)
25	Mid Spot (25°)
40	Narrow Flood (40°)

DIMMING

LD	0-10V Dimming, 1% (Standard)
ET	ELV or TRIAC Driver (Only 10L-45L) (120V Phase Dimming Only with UNV Driver)
XA	DMX Dim to 0.1% (Only 10L-50L) (55L Only)
XB	DMX Dim to 1% (55L-60L Only. Includes DMX to 0-10V Converter)
E1	eldoLED 0-10V, Dim to 0.1%, Dim-to-Off (Only 05L-50L)
E2	eldoLED DALI-2, Dim to 0.1%, Dim-to-Off (Only 05L-50L)
L1	Lutron Hi-Lume 1% Ecosystem (Digital Dimming), Soft-on Fade-to-Black (10L-30L)
L2	Lutron Hi-Lume 1% 2-Wire (Forward Phase Dimming) (10L-30L)
T1	0.1%, 0-10V, Tunable White (Only TW) (10L to 20L)
W1	0.1%, 0-10V, Dim-to-Warm (Only DW) (10L to 20L)

*Other commercial grade systems can be subject to testing or approval via factory request (equipment by others).

OPTIONS 1

DDF	Drop Diffuser Frosted
DDR	Drop Diffuser Red
DDA	Drop Diffuser Amber
DDB	Drop Diffuser Blue

OPTIONS 2

CO	Surface Mount Conduit Adapter
-----------	-------------------------------

BACKUP

BBUR	BATTERY BACK-UP & LED DRIVER REMOTE (INDOOR), IP20, IK08, NEMA 1, 0°C to +48°C, 30' MAX Distance with 12AWG (w/UNV Option Only)
N/A	(Leave blank if No Battery Backup Needed)

Due to continuous development and improvements, specifications are subject to change without notice. Solid State Luminaires reserves the right to change lab test details or specifications without notice. Product use certifies agreement to Solid State Luminaires terms and conditions. All stated specifications have a tolerance of +/- 7%.



SSC6DR Remote Driver & Battery Backup w/ Drop Diffusers

LUMENS nominal

Model	Watts	935
SSC6DR	5 W	500 lm
	9 W	1000 lm
	13 W	1500 lm
	18 W	2000 lm
	23 W	2500 lm
	27 W	3000 lm
	32 W	3500 lm
	37 W	4000 lm
	42 W	4500 lm
	46 W	5000 lm
	53 W	5500 lm
	60 W	6000 lm

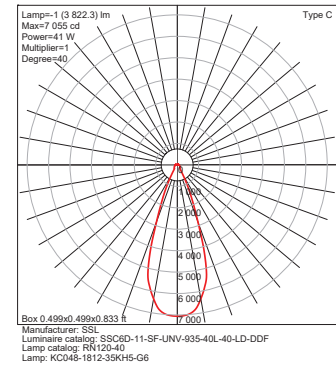
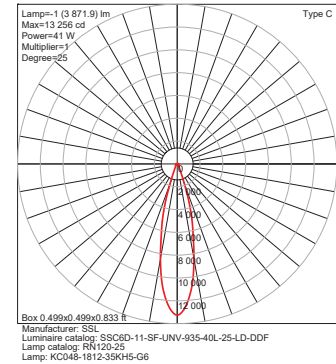
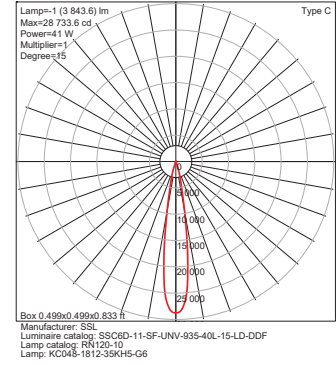
IES Multiplier	
Color	Multiplier
927	0.95
930	0.98
935	1.00
940	1.01
957	1.04
830	1.26
840	1.29

TRIAC & ELV Approved Dimmer List	
Manufacturer	Manufacturer Part Number
Lutron	Glyder GLV-600
	Diva DVLV-600P
	Diva DV-600P
	Diva DVELV-600P(303)
	Maestro MALV-600
	Nova T NT-1000
	Nova T NTELV-600
	Skylark SLV-600P
RadioRA2-10ND	
Leviton	SureSlide 6633
	Illumatech IPE04

0-10V Approved Dimmer List	
Manufacturer	Manufacturer Part Number
Lutron	Diva DVSTV-XX
	Diva DVSTV-453PH-WH1
Leviton	Illumatech 010-IP710-DLZ

PHOTOMETRICS

(Below photos and graphs are shown with frosted drop diffusers or glow rings.)



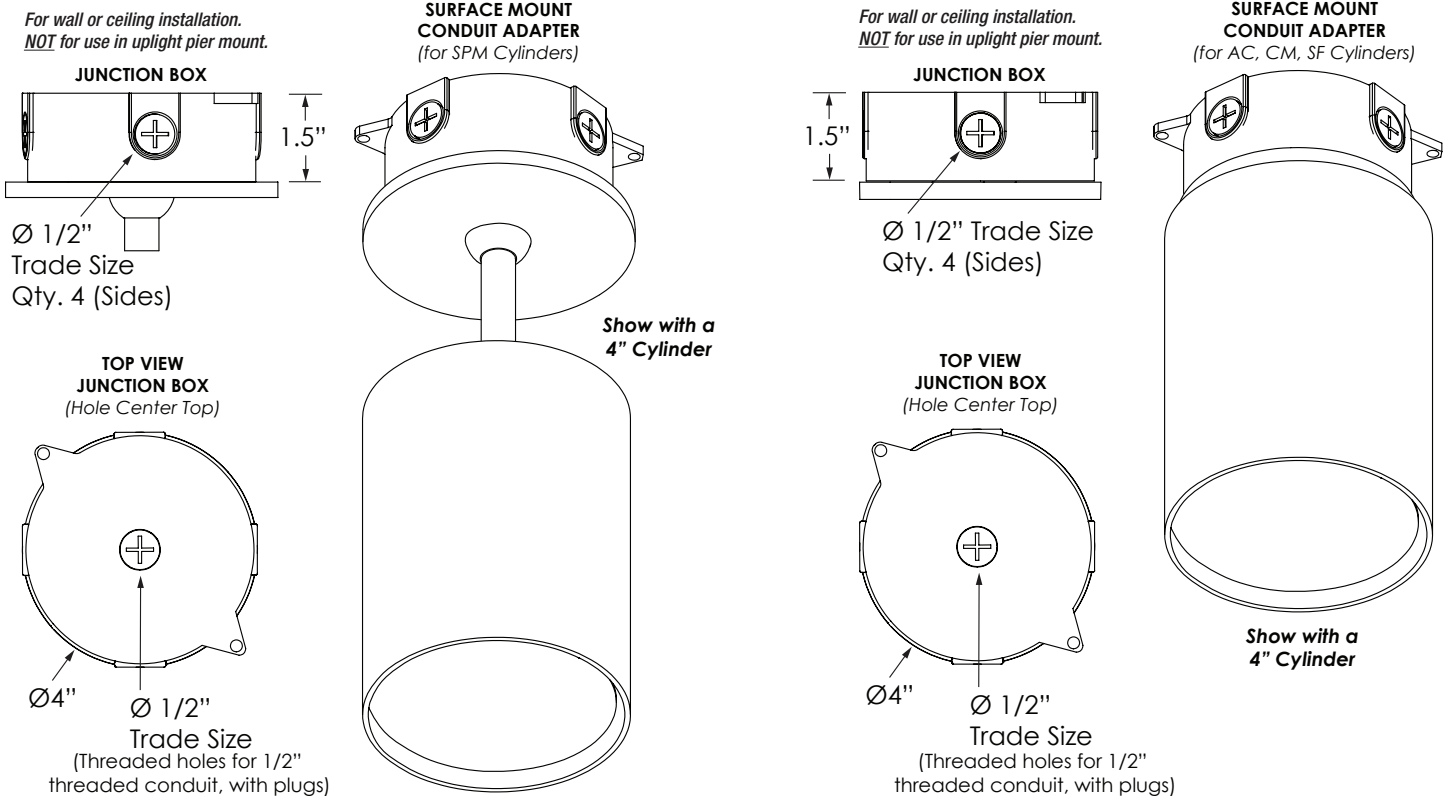
Due to continuous development and improvements, specifications are subject to change without notice. Solid State Luminaires reserves the right to change lab test details or specifications without notice. Product use certifies agreement to Solid State Luminaires terms and conditions. All stated specifications have a tolerance of +/- 7%.



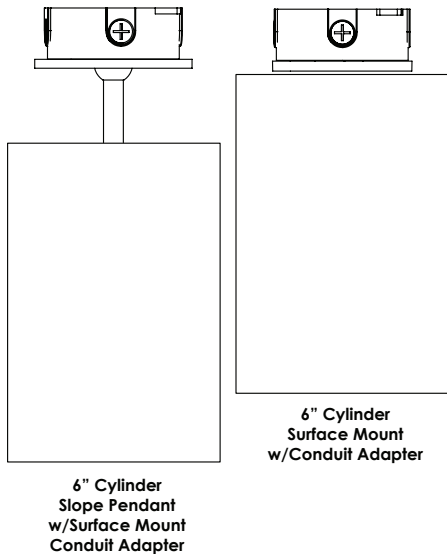
SSC6DR Remote Driver & Battery Backup w/ Drop Diffusers

CO Option

Drop Diffuser Frosted



Surface Mount Conduit Adapter can be added to any of the AC, CM, SF and SPM Mounts



SSC6DR Remote Driver & Battery Backup w/ Drop Diffusers

BATTERY BACK-UPS

BBUR - BATTERY BACK-UP & LED DRIVER REMOTE (INDOOR), IP20, IK08, NEMA 1, 0°C to +48°C, 30' MAX Distance with 12AWG (w/UNV Option Only)

