





SSC6D Integral Driver & Battery Backup w/ Drop Diffusers

6" Round seamless indoor cylinders with drop diffusers



- Frosted 
- Amber 
- Red 
- Blue 



(Silver Finish w/ Blue Drop Diffuser Shown Above)



FEATURES

- Multiple finish & drop diffuser color options
- Up to 13W Min @ 37W Max, Over 100 LPW
- No visible seams or fasteners
- Tool-less field interchangeable optics
- Integral battery backup and integral driver
- 1.5G Vibration Tested
- 93 CRI with 2 SDCM

PERFORMANCE

- Beam Spread: 15° | 25° | 40°
- CCT Options: 2700K, 3000K, 3500K, 4000K, 5700K
- CRI: 93 CRI
- Consistency: 2 SDCM (Fixture to Fixture)
- Lumens: 1000-5000 lm
- Lifetime: > 70,000 hours / L70 or better

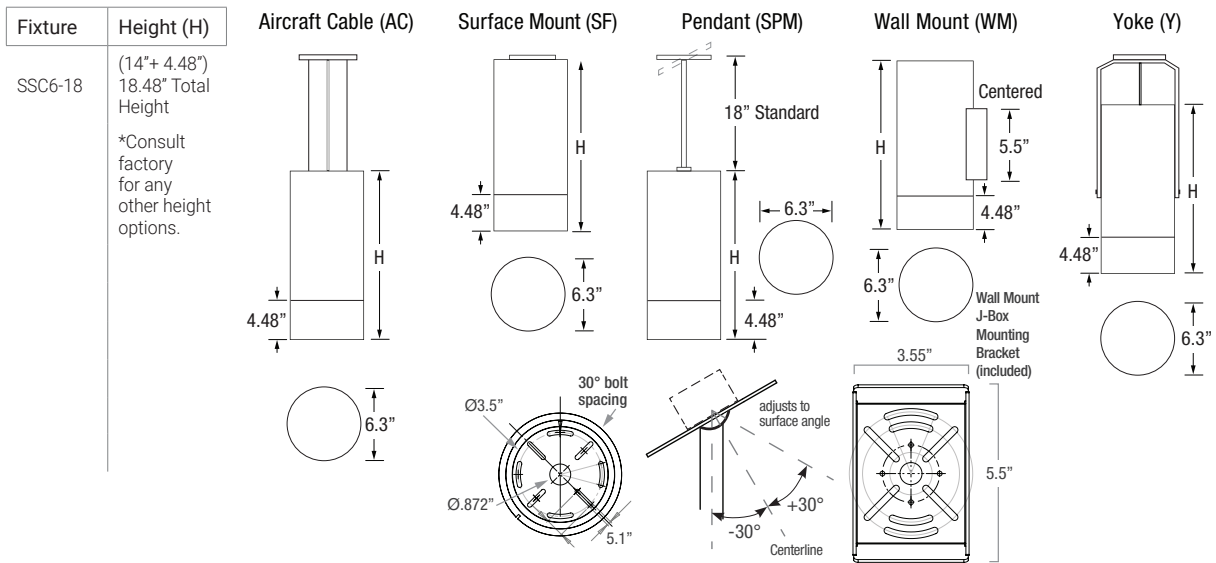
PHYSICAL

- Mounting:** Aircraft cable, slope pendant, surface, wall, yoke mounts with twist-lock canopy. Twist-lock canopy mounts to standard Octagon J-Box.
- Ingress Protection:** Dry or damp locations IP43 rated
- Finish:** Six stage chemical iron phosphate conversion pre-treatment. Polyester powder coat finish, 18 µm Min., 3000hr salt spray test (ASTM B117) AAMA 2603 specification.
- Warranty:** 5-Year limited warranty (refer to website for details)
- Housing:** No visible seams or fasteners, marine grade, corrosion resistant, solid aluminum extrusion, high pressure die-cast aluminum components, black baffle.
- Lens:** IK07 impact compliant, clear anti-glare tempered glass. Acrylic drop diffuser.
- Vibration Resistance:** Compliant with 1.5G ANSI C136.31, Seismic rated AC-156
- Weight:** 4-10 lbs (Depending on Length)
- Operating Temperature:** -22°F to 122°F (-30°C to 50°C)

ELECTRICAL

- Voltage:** Universal 120-277V AC
- Power Supply:** Integral Class II, electronic high-power factor >.90, THD < 20%, FCC Title 47 Part 15 Class A.
- Power Consumption:** Up to 40W
- Dimming:** Standard: 0-10V Dimming, 1% | Optional: ET, XCR | *Other commercial grade systems can be subject to testing or approval via factory request (equipment by others).
- Certification:** CEC Title 24 - JA8 Compliant (93 CRI Only)
- Standards:** cETLus Listed, CE, NOM, and RoHS Compliant, tested to UL 1598 and UL 8750 standards / UL-Class I / IES LM-79 / LM-80 / FCC Part 15

PHYSICAL DIMENSIONS



Due to continuous development and improvements, specifications are subject to change without notice. Solid State Luminaires reserves the right to change lab test details or specifications without notice. Product use certifies agreement to Solid State Luminaires terms and conditions. All stated specifications have a tolerance of +/- 7%.

Date: _____
 Type: _____
 Fixture: _____
 Project: _____

Approved: _____

SSC6D Integral Driver & Battery Backup w/ Drop Diffusers

PRODUCT CODE

EXAMPLE: SSC6D-SPM18-UNV-930-10L-BKI-15-LD-DDR

MODEL	HEIGHT	MOUNTING	SUSP. LENGTH	VOLTAGE	COLOR	LUMENS	FINISH	OPTIC	DIMMING	OPTIONS	BACKUP
SSC6D											

MODEL
SSC6D

HEIGHT
18 (14"+ 4.48") 18.48" Total Height
 *Consult factory for any other height options.

MOUNTING
AC Aircraft Cable
SF Surface Mount
SPM Pendant Mount
WM Wall Mount
Y Yoke (18"H Max)

AC/SPM SUSPENSION LENGTH
 Specify the optional suspension length in inches. (Top of fixture to ceiling) (AC & CM 4"-120" Max, Field Adjustable) (SPM 18" Standard, 4"-120" Max; 61"-120" w/LD & ET Only and stem comes in 2 sections) *Consult factory & price guide for other lengths.

VOLTAGE
UNV Universal 120-277V AC

COLOR
927 (93CRI) 2700K (Standard)
930 (93CRI) 3000K (Standard)
935 (93CRI) 3500K (Standard)
940 (93CRI) 4000K (Standard)
957 (93CRI) 5700K (Standard)
830 (83CRI) 3000K (55L Only)
840 (83CRI) 4000K (55L Only)

LUMENS
10L 1000 lm
15L 1500 lm
20L 2000 lm
25L 2500 lm
30L 3000 lm
35L 3500 lm
40L 4000 lm
40L 4000 lm (93 CRI Standard)
45L 4500 lm (93 CRI Standard)
50L 5000 lm (93 CRI Standard)
55L 5500 lm (83 CRI Only)

FINISH
BKI Black (AAMA 2603)
BRI Bronze (AAMA 2603)
SLI Silver (AAMA 2603)
WHI White (AAMA 2603)
CCI Custom Color (AAMA 2603)

OPTIC nominal
15 Spot (15°)
25 Mid Spot (25°)
40 Narrow Flood (40°)

DIMMING
LD 0-10V Dimming, 1% (Standard)
ET ELV or TRIAC Driver (Only 10L-45L) (120V Phase Dimming Only with UNV Driver)
 *Other commercial grade systems can be subject to testing or approval via factory request (equipment by others).

OPTIONS 1
DDF Drop Diffuser Frosted
DDR Drop Diffuser Red
DDA Drop Diffuser Amber
DDB Drop Diffuser Blue

OPTIONS 2
CO Surface Mount Conduit Adapter

BACKUP
BBU Battery Backup, Integral

ACCESSORIES (Order separately.)

XCR Remote mount DMX to 0-10V Converter controls (1) or (2) circuits or fixtures w/0-10V Control Driver (LD)

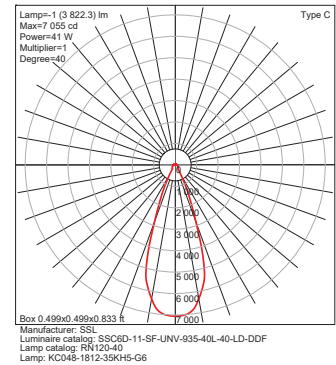
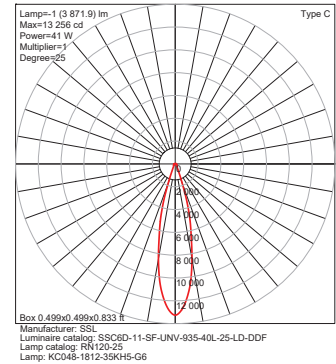
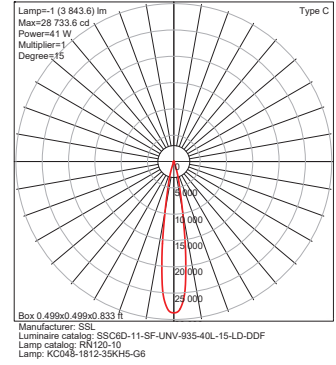
SSC6D Integral Driver & Battery Backup w/ Drop Diffusers

LUMENS nominal

Model	Watts	935
SSC6D	5 W	500 lm
	9 W	1000 lm
	13 W	1500 lm
	18 W	2000 lm
	23 W	2500 lm
	27 W	3000 lm
	32 W	3500 lm
	37 W	4000 lm

PHOTOMETRICS

(Below photos and graphs are shown with frosted drop diffusers or glow rings.)



IES Multiplier	
Color	Multiplier
927	0.95
930	0.98
935	1.00
940	1.01
957	1.04
830	1.26
840	1.29

TRIAC & ELV Approved Dimmer List	
Manufacturer	Manufacturer Part Number
Lutron	Glyder GLV-600
	Diva DVLV-600P
	Diva DV-600P
	Diva DVELV-600P(303)
	Maestro MALV-600
	Nova T NT-1000
	Nova T NTELV-600
	Skylark SLV-600P
RadioRA2-10ND	
Leviton	SureSlide 6633
	Illumatech IPE04

0-10V Approved Dimmer List	
Manufacturer	Manufacturer Part Number
Lutron	Diva DVSTV-XX
	Diva DVSTV-453PH-WH1
Leviton	Illumatech 010-IP710-DLZ

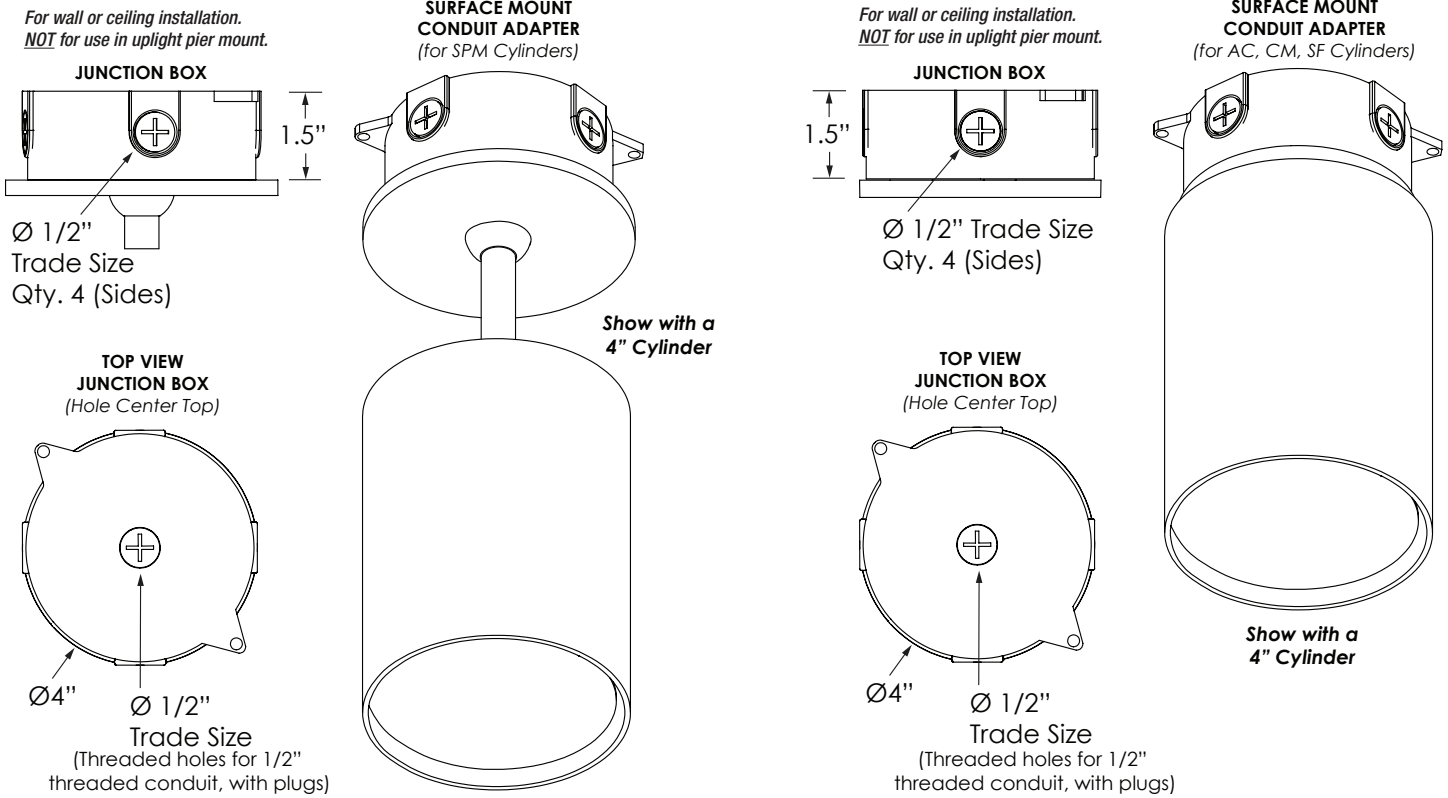
Due to continuous development and improvements, specifications are subject to change without notice. Solid State Luminaires reserves the right to change lab test details or specifications without notice. Product use certifies agreement to Solid State Luminaires terms and conditions. All stated specifications have a tolerance of +/- 7%.



SSC6D Integral Driver & Battery Backup w/ Drop Diffusers

CO Option

Drop Diffuser Frosted



Surface Mount Conduit Adapter can be added to any of the AC, CM, SF and SPM Mounts

