

SSC4 Premium Drivers without Battery Backup

4" Round seamless indoor cylinders



FEATURES

- Up to 31W Max
- No visible seams or fasteners
- Tool-less field interchangeable optics
- Quick twist-lock mounting
- Multiple finish color options
- 1.5G Vibration Tested
- 93 CRI with 2 SDCM

PERFORMANCE

Beam Spread: 15° | 25° | 50° | 72° | 90° | Wall Wash
CCT Options: 2700K, 3000K, 3500K, 4000K, TW, DW
CRI: 93 CRI
Consistency: 2 SDCM (Fixture to Fixture)
Lumens: 500-3500 lm
Lifetime: > 70,000 hours / L70 or better

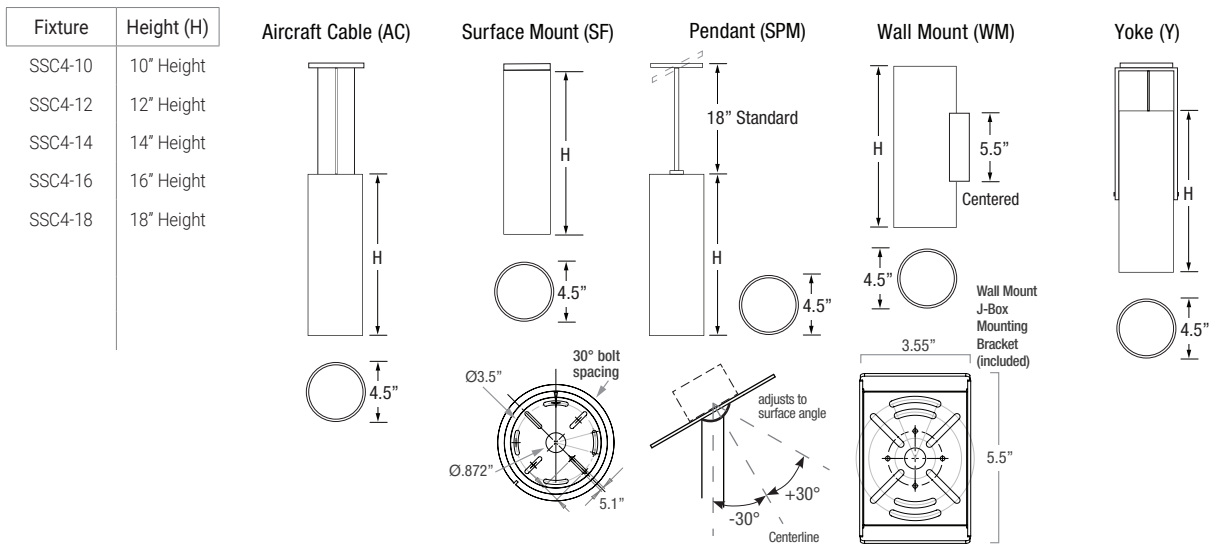
PHYSICAL

Mounting: Aircraft cable, cord, slope pendant, surface, wall w/ twist-lock canopy.
Ingress Protection: Dry or damp locations IP43 rated
Finish: Six stage chemical iron phosphate conversion pre-treatment. Polyester powder coat finish, 18 µm Min., 3000hr salt spray test (ASTM B117) AAMA 2603 specification.
Warranty: 5-Year limited warranty (refer to website for details)
Housing: No visible seams or fasteners, marine grade, corrosion resistant, solid aluminum extrusion, high pressure die-cast aluminum components, black baffle.
Lens: IK05 impact compliant, clear anti-glare tempered glass
Vibration Resistance: Compliant with 1.5G ANSI C136.31, Seismic rated AC-156
Weight: 3-7 lbs (Depending on Length)
Operating Temperature: -22°F to 122°F (-30°C to 50°C)

ELECTRICAL

Voltage: Universal 120-277V AC standard, 347V optional
Power Supply: Integral Class II, electronic high-power factor >.90, THD < 20%, FCC Title 47 Part 15 Class A. EldoLED & Lutron optional.
Power Consumption: Up to 3500 lm / 31W
Dimming: XA, XCR, E1, E2, L1, L2, T1, W1
Certification: CEC Title 24 - JA8 Compliant (93 CRI Only)
Standards: cETLus Listed, CE, NOM, and RoHS Compliant, tested to UL 1598 and UL 8750 standards / UL-Class I / IES LM-79 / LM-80 / FCC Part 15

PHYSICAL DIMENSIONS



Due to continuous development and improvements, specifications are subject to change without notice. Solid State Luminaires reserves the right to change lab test details or specifications without notice. Product use certifies agreement to Solid State Luminaires terms and conditions. **All stated specifications have a tolerance of +/- 7%.



Date: _____
 Type: _____
 Fixture: _____
 Project: _____

Approved: _____

SSC4 Premium Drivers without Battery Backup

PRODUCT CODE

EXAMPLE: SSC4-10-SPM18-UNV-930-10L-BKI-15-XA

| MODEL | HEIGHT | MOUNTING | SUSP. LENGTH | VOLTAGE | COLOR | LUMENS | FINISH | OPTIC | DIMMING | OPTIONS |
|-------|--------|----------|--------------|---------|-------|--------|--------|-------|---------|---------|
| SSC4 | | | | | | | | | | |

| MODEL | HEIGHT | MOUNTING | SUSP. LENGTH | VOLTAGE | COLOR | LUMENS | FINISH | OPTIC nominal | w/SOFT FIELD | DIMMING | OPTIONS |
|-------|--|--|---|--------------------------------------|--|---|---|--|---|--|---|
| SSC4 | 10 10" Height 12 12" Height 14 14" Height 16 16" Height 18 18" Height | AC Aircraft Cable SF Surface Mount SPM Slope Pendant Mount WM Wall Mount Y Yoke (12" Max) | AC/CM/SPM SUSPENSION LENGTH Specify the optional suspension length in inches. (Top of fixture to ceiling) (AC & CM 4"-120" Max, Field Adjustable) (SPM 18" Standard, 4"-120" Max; 61"-120" w/LD & ET Only and stem comes in 2 sections) *Consult factory & price guide for other lengths. | UNV Universal 120-277 Volt AC | 927 (93CRI) 2700K 930 (93CRI) 3000K 935 (93CRI) 3500K 940 (93CRI) 4000K TW Tunable White (2700K-6500K) DW Dim-to-Warm (2700K-6500K) * For 97 CRI Consult Factory | 05L 500 lm 10L 1000 lm 15L 1500 lm 20L 2000 lm 25L 2500 lm 30L 3000 lm 35L 3500 lm | BKI Black (AAMA 2603) BRI Bronze (AAMA 2603) SLI Silver (AAMA 2603) WHI White (AAMA 2603) CCI Custom Color (AAMA 2603) | 15 Spot (15°) (20L Max) 25 Narrow Flood (25°) 50 Flood (50°) 72 Wide Flood (72°) 90 Very Wide Flood (90°) | 15S Spot (20L Max) 25S Narrow Flood 50S Flood 72S Wide Flood 90S Very Wide Flood WW Wall Wash (25° Only) | XA DMX Dim to 0.1% (Only 10L-35L) (SPM and WM Only) E1 eldoLED 0-10V, Dim to 0.1%, Dim-to-Off (Only 05L-35L) E2 eldoLED DALI-2 Dim to 0.1% (Only 05L-35L) (SPM and WM Only) L1 Lutron Hi-Lume 1% Ecosystem (Digital Dimming), Soft-on Fade-to-Black (10L-30L) L2 Lutron Hi-Lume 1% 2-Wire (Forward Phase Dimming) (10L-30L) T1 0.1%, 0-10V, Tunable White (Only TW) (10L-20L) W1 0.1%, 0-10V, Dim-to-Warm (Only DW) (10L-20L) | CO Surface Mount Conduit Adapter |

ACCESSORIES (Order separately.)

XCR Remote mount DMX to 0-10V Converter controls (1) or (2) circuits or fixtures w/0-10V Control Driver (E1, T1, W1). T1: 1 Converter Control, 1 T1 Fixture (CCT+Intensity Channel)

Due to continuous development and improvements, specifications are subject to change without notice. Solid State Luminaires reserves the right to change lab test details or specifications without notice. Product use certifies agreement to Solid State Luminaires terms and conditions. **All stated specifications have a tolerance of +/- 7%.

SSC4 Premium Drivers without Battery Backup

LUMENS

| Model | Watts | 940 |
|-------|-------|---------|
| SSC4 | 5 W | 500 lm |
| | 8 W | 1000 lm |
| | 13W | 1500 lm |
| | 18 W | 2000 lm |
| | 21 W | 2500 lm |
| | 26 W | 3000 lm |
| | 31 W | 3500 lm |

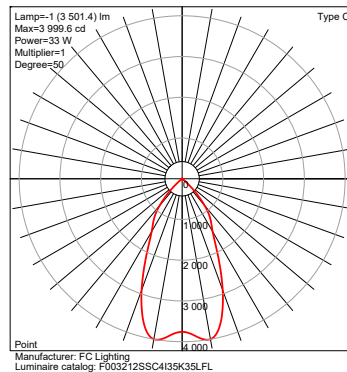
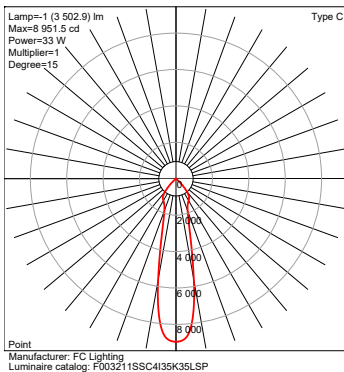
| IES Multiplier | |
|----------------|------------|
| Color | Multiplier |
| 927 | 0.93 |
| 930 | 0.97 |
| 935 | 0.99 |
| 940 | 1.00 |

*83CRI≤1.15 Consult factory.

| TRIAC & ELV Approved Dimmer List | |
|----------------------------------|--------------------------|
| Manufacturer | Manufacturer Part Number |
| Lutron | Glyder GLV-600 |
| | Diva DVLV-600P |
| | Diva DV-600P |
| | Diva DVELV-600P(303) |
| | Maestro MALV-600 |
| | Nova T NT-1000 |
| | Nova T NTELV-600 |
| | Skylark SLV-600P |
| Leviton | RadioRA2-10ND |
| | SureSlide 6633 |
| | Illuminatech IPE04 |

| 0-10V Approved Dimmer List | |
|----------------------------|----------------------------|
| Manufacturer | Manufacturer Part Number |
| Lutron | Diva DVSTV-XX |
| | Diva DVSTV-453PH-WH1 |
| Leviton | Illuminatech 010-IP710-DLZ |

PHOTOMETRICS

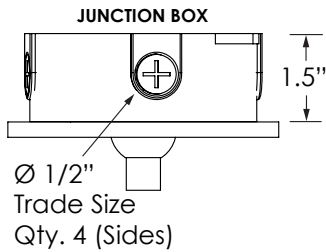


SSC4 Premium Drivers without Battery Backup

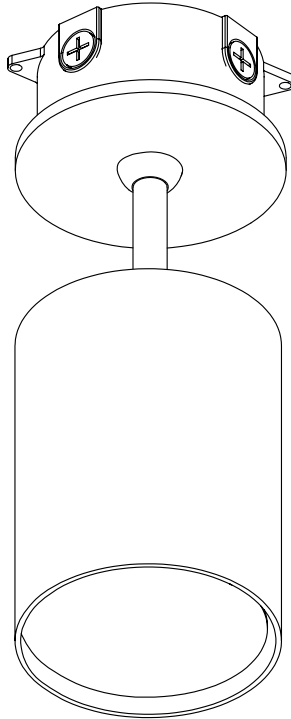
CO Option

Surface Mount Conduit Adapter

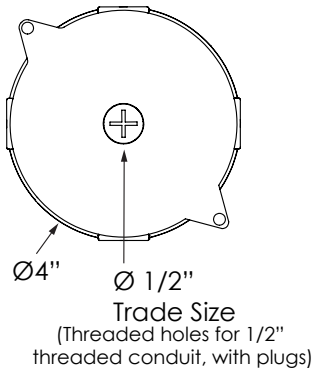
For wall or ceiling installation.
NOT for use in upright pier mount.



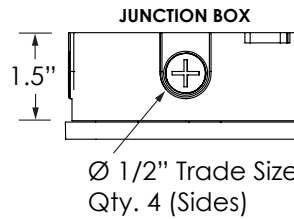
**SURFACE MOUNT
CONDUIT ADAPTER**
(for SPM Cylinders)



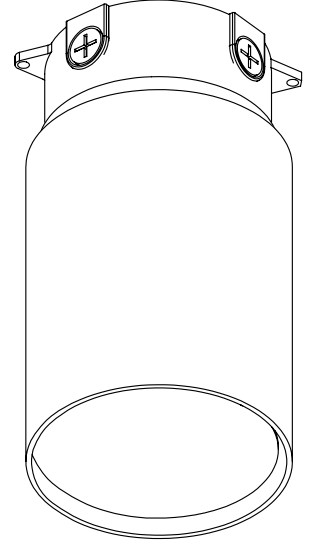
**TOP VIEW
JUNCTION BOX**
(Hole Center Top)



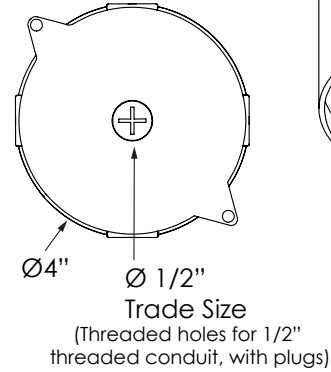
For wall or ceiling installation.
NOT for use in upright pier mount.



**SURFACE MOUNT
CONDUIT ADAPTER**
(for AC, CM, SF Cylinders)



**TOP VIEW
JUNCTION BOX**
(Hole Center Top)



**Surface Mount Conduit Adapter can be added to any
of the AC, CM, SF and SPM Mounts**

