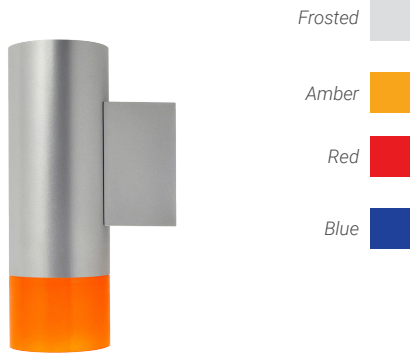






Date: _____
 Type: _____
 Fixture: _____
 Project: _____

Approved: _____

SSC4D Standard Drivers w/ Drop Diffusers

4" Round seamless indoor cylinders with drop diffusers



- Frosted 
- Amber 
- Red 
- Blue 

FEATURES

- Multiple finish & drop diffuser color options
- Up to 31W Max, Over 100 LPW
- No visible seams or fasteners
- Tool-less field interchangeable optics
- Quick twist-lock mounting
- 1.5G Vibration Tested
- 93 CRI with 2 SDCM

PERFORMANCE

Beam Spread: 15° | 35° | 50°
CCT Options: 2700K, 3000K, 3500K, 4000K
CRI: 93 CRI
Consistency: 2 SDCM (Fixture to Fixture)
Lumens: 500-3500 lm
Lifetime: > 70,000 hours / L70 or better



(Silver Finish w/ Amber Drop Diffuser Shown Above)



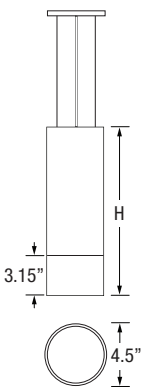
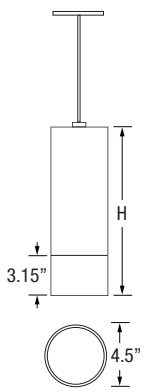
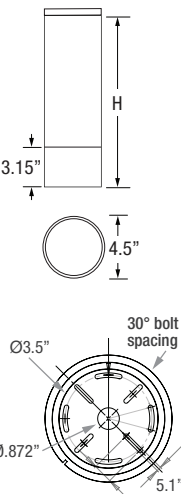
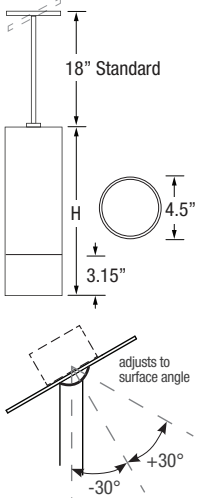
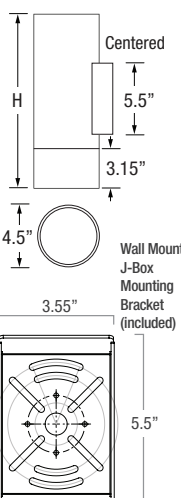
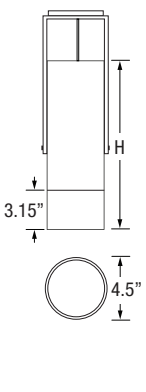
PHYSICAL

Mounting: Aircraft cable, cord, slope pendant, surface, wall mounts with twist-lock canopy. Twist-lock canopy mounts to standard Octagon J-Box.
Ingress Protection: Dry or damp locations IP43 rated
Finish: Six stage chemical iron phosphate conversion pre-treatment. Polyester powder coat finish, 18 µm Min., 3000hr salt spray test (ASTM B117) AAMA 2603 specification.
Warranty: 5-Year limited warranty (refer to website for details)
Housing: No visible seams or fasteners, marine grade, corrosion resistant, solid aluminum extrusion, high pressure die-cast aluminum components, black baffle.
Lens: IK07 impact compliant, clear anti-glare tempered glass. Acrylic drop diffuser.
Vibration Resistance: Compliant with 1.5G ANSI C136.31, Seismic rated AC-156
Weight: 3-7 lbs (Depending on Length)
Operating Temperature: -22°F to 122°F (-30°C to 50°C)

ELECTRICAL

Voltage: Universal 120-277V AC standard, 347V optional
Power Supply: Integral Class II, electronic high-power factor >.90, THD < 20%, FCC Title 47 Part 15 Class A.
Power Consumption: Up to 3500 lm / 31W
Dimming: Standard: 0-10V Dimming, 1% | Optional: ET, XCR | *Other commercial grade systems can be subject to testing or approval via factory request (equipment by others).
Certification: CEC Title 24 - JA8 Compliant
Standards: cETLus Listed, CE, NOM, and RoHS Compliant, tested to UL 1598 and UL 8750 standards / UL-Class I / IES LM-79 / LM-80 / FCC Part 15

PHYSICAL DIMENSIONS

Fixture	Height (H)	Aircraft Cable (AC)	Cord (CM)	Surface Mount (SF)	Pendant (SPM)	Wall Mount (WM)	Yoke (Y)
SSC4-10	(6.75"+ 3.15") 9.9" Total Height						
SSC4-13	(10"+ 3.15") 13.15" Total Height						
SSC4-17	(14"+ 3.15") 17.15" Total Height						
*Consult factory for any other height options.							

Due to continuous development and improvements, specifications are subject to change without notice. Solid State Luminaires reserves the right to change lab test details or specifications without notice. Product use certifies agreement to Solid State Luminaires terms and conditions. All stated specifications have a tolerance of +/- 7%.



US Commercial Lighting Manufacturer Since 1982

Date:	Approved:
Type:	
Fixture:	
Project:	

SSC4D Standard Drivers w/ Drop Diffusers

PRODUCT CODE

EXAMPLE: SSC4D-17-SPM18-UNV-930-10L-BKI-15-LD-DDR

MODEL	HEIGHT	MOUNTING	SUSP. LENGTH	VOLTAGE	COLOR	LUMENS	FINISH	OPTIC	DIMMING	OPTIONS	BACKUP
SSC4D											

<p>MODEL SSC4D</p> <p>HEIGHT 10 (6.75"+ 3.15") 9.9" Total Height 13 (10"+ 3.15") 13.15" Total Height 17 (14"+ 3.15") 17.15" Total Height *Consult factory for any other height options.</p> <p>MOUNTING AC Aircraft Cable CM Cord Mount SF Surface Mount SPM Slope Pendant Mount WM Wall Mount Y Yoke (12" Max)</p> <p>AC/CM/SPM SUSPENSION LENGTH Specify the optional suspension length in inches. (Top of fixture to ceiling) (AC & CM 4"-120" Max, Field Adjustable) (SPM 18" Standard, 4"-120" Max; 61"-120" w/LD & ET Only and stem comes in 2 sections) *Consult factory & price guide for other lengths.</p> <p>VOLTAGE UNV Universal 120-277 Volt AC 347V 347 Volt AC (Only SF, SPM, WM Mounts) (0-10V LD Dim Only)</p>	<p>COLOR 927 (93CRI) 2700K 930 (93CRI) 3000K 935 (93CRI) 3500K 940 (93CRI) 4000K</p> <p>LUMENS 05L 500 lm 10L 1000 lm 15L 1500 lm 20L 2000 lm (Min 13" H) 25L 2500 lm (Min 13" H) 30L 3000 lm (Min 13" H) 35L 3500 lm (Min 13" H)</p> <p>FINISH BKI Black (AAMA 2603) BRI Bronze (AAMA 2603) SLI Silver (AAMA 2603) WHI White (AAMA 2603) CCI Custom Color (AAMA 2603)</p>	<p>OPTIC nominal 15 Narrow Flood (15°) 35 Flood (35°) 50 Wide Flood (50°)</p> <p>DIMMING LD 0-10V Dimming, 1% ET ELV or TRIAC Driver *Other commercial grade systems can be subject to testing or approval via factory request (equipment by others).</p> <p>OPTIONS 1 DDF Drop Diffuser Frosted DDR Drop Diffuser Red DDA Drop Diffuser Amber DDB Drop Diffuser Blue</p> <p>OPTIONS 2 CO Surface Mount Conduit Adapter</p> <p>BACKUP N/A (Leave blank)</p>
---	---	---

ACCESSORIES (Order separately.)

XCR Remote mount DMX to 0-10V Converter controls (1) or (2) circuits or fixtures w/0-10V Control Driver (LD)



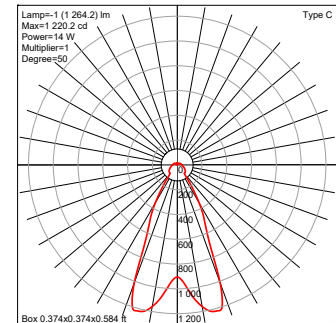
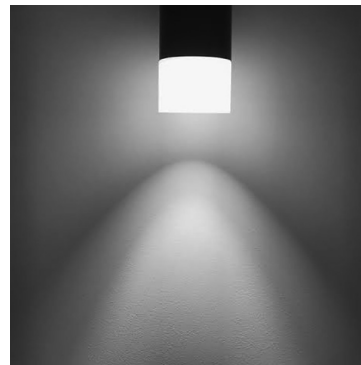
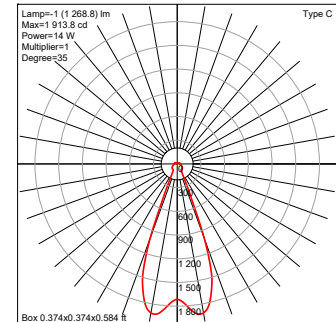
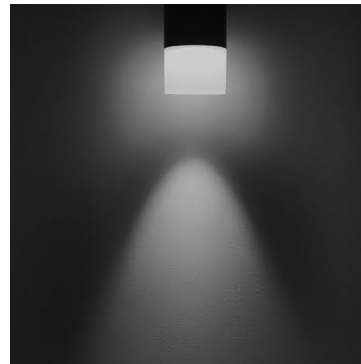
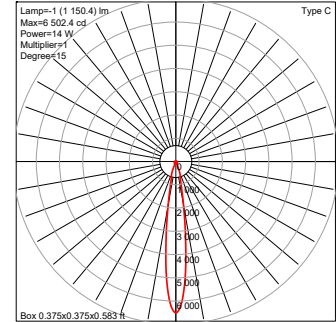
SSC4D Standard Drivers w/ Drop Diffusers

LUMENS nominal

Model	Watts	935
SSC4D	5 W	500 lm
	8 W	1000 lm
	13W	1500 lm
	18 W	2000 lm
	21 W	2500 lm
	26 W	3000 lm
	31 W	3500 lm

PHOTOMETRICS

(Below photos and graphs are shown with frosted drop diffusers or glow rings.)



IES Multiplier	
Color	Multiplier
927	0.95
930	0.98
935	1.00
940	1.01

TRIAC & ELV Approved Dimmer List	
Manufacturer	Manufacturer Part Number
Lutron	Glyder GLV-600
	Diva DVLV-600P
	Diva DV-600P
	Diva DVELV-600P(303)
	Maestro MALV-600
	Nova T NT-1000
	Nova T NTELV-600
	Skylark SLV-600P
RadioRA2-10ND	
Leviton	SureSlide 6633
	Illumatech IPE04

0-10V Approved Dimmer List	
Manufacturer	Manufacturer Part Number
Lutron	Diva DVSTV-XX
	Diva DVSTV-453PH-WH1
Leviton	Illumatech 010-IP710-DLZ

Due to continuous development and improvements, specifications are subject to change without notice. Solid State Luminaires reserves the right to change lab test details or specifications without notice. Product use certifies agreement to Solid State Luminaires terms and conditions. All stated specifications have a tolerance of +/- 7%.



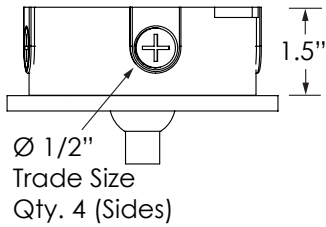
SSC4D Standard Drivers w/ Drop Diffusers

CO Option

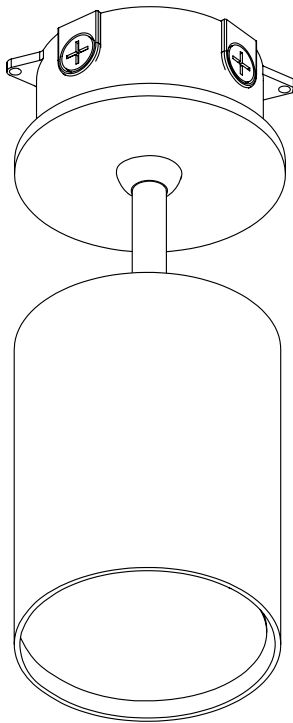
Drop Diffuser Frosted

For wall or ceiling installation.
NOT for use in upright pier mount.

JUNCTION BOX

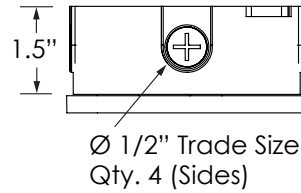


**SURFACE MOUNT
CONDUIT ADAPTER**
(for SPM Cylinders)

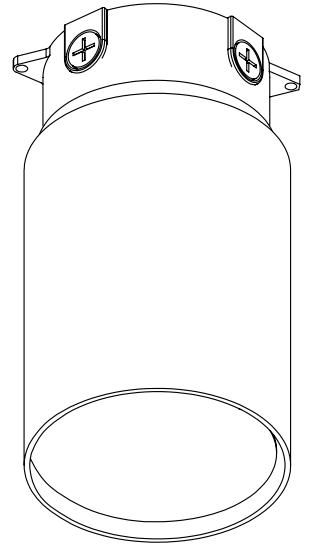


For wall or ceiling installation.
NOT for use in upright pier mount.

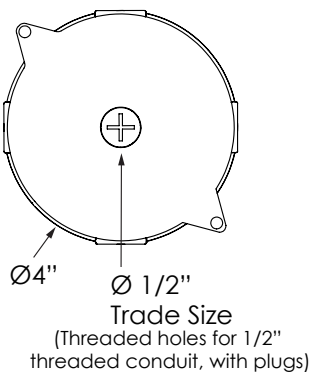
JUNCTION BOX



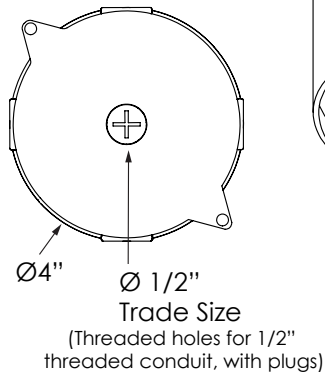
**SURFACE MOUNT
CONDUIT ADAPTER**
(for AC, CM, SF Cylinders)



**TOP VIEW
JUNCTION BOX**
(Hole Center Top)



**TOP VIEW
JUNCTION BOX**
(Hole Center Top)



Surface Mount Conduit Adapter can be added to any of the AC, CM, SF and SPM Mounts

