

Date:	Approved:
Type:	
Fixture:	
Project:	

SSC2s

Slim-Line round architectural indoor cylinders



(SSC2s8.5-WHI-BB on left, SSC2s10.5-SLI-GRB center, SSC2s10.5-WHI-GB on right)



FEATURES

- Up to 900 lm @ 11W
- Seamless design
- Tri-Dim 0-10V 1% TRIAC & ELV (Standard)
- Multiple finish color options
- Optically clear, high impact optic
- 93 CRI with 2 SDCM
- Glow ring and adjustable baffle options

PERFORMANCE

Beam Spread: 20° | 30° | 40° | 50°
CCT Options: 2700K, 3000K, 3500K, 4000K
CRI: 93 CRI
Consistency: 2 SDCM (Fixture to Fixture)
Lumens: 900 lm @ 11W (Max)
Lifetime: > 70,000 hours / L70 or better

PHYSICAL

Mounting: Surface and cord mounts, die cast aluminum twist-lock canopy mounts to standard Octagon J-Box.
Ingress Protection: Dry or damp locations IP43 rated
Finish: Six stage chemical iron phosphate conversion pre-treatment. Polyester powder coat finish, 18 µm Min., 3000hr salt spray test (ASTM B117) AAMA 2603 specification.
Warranty: 5-Year limited warranty (refer to website for details)
Housing: No visible seams or fasteners, marine grade, corrosion resistant, solid aluminum extrusion, high pressure die-cast aluminum components, machined gold or black adjustable baffle with optional glow rings.
Optic: Optically clear, anti-glare, high impact resistant plastic
Impact Resistance: IK08 Rated
Weight: 2-3 (Depending on Length)

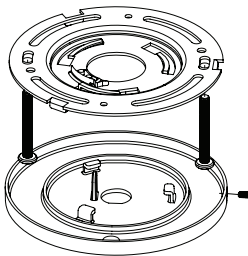
ELECTRICAL

Voltage: Universal 120-277 Volt AC
Power Supply: Integral Class II, electronic high-power factor >90%, THD < 20%, FCC Title 47 Part 15 Class A
Power Consumption: Up to 900 lm @ 11W
Dimming: Standard: Tri-Dim (0-10V 1% Dimming, TRIAC & ELV)
Certification: CEC Title 24 - JA8 Compliant
Standards: cETLus Listed, CE, NOM, and RoHS Compliant. Location listed for ceiling mount IP43 Ingress protection. 1.5G (ANSI C136.31) Vibration resistance rated for Surface Mount. IK08 (IEC6226) Impact resistance rated. IESNA LM79 Photometric testing by NVLAP accredited test lab. IESNA LM80 LED testing by NVLAP accredited test lab. IESNA TM21 Luminaire lumen depreciation projection to >70,000hrs.

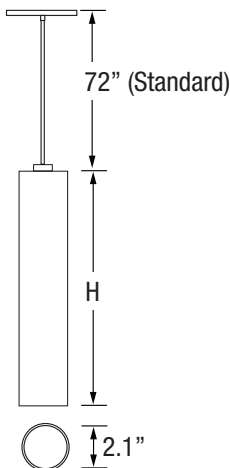
PHYSICAL DIMENSIONS

Fixture	Height (H)
SSC2s-8.5	8.5"
SSC2s-10.5	10.5"

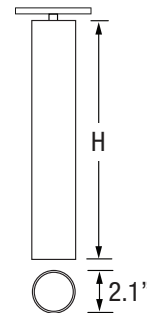
Twist-lock Canopy



Cord (CM)



Surface Mount (SF)



**All stated specifications have a tolerance of +/- 7%.

Due to continuous development and improvements, specifications are subject to change without notice. Solid State Luminaires reserves the right to change lab test details or specifications without notice. Product use certifies agreement to Solid State Luminaires terms and conditions.

US Commercial Lighting Manufacturer Since 1982

Date:	Approved:
Type:	
Fixture:	
Project:	

SSC2s

PRODUCT CODE

EXAMPLE: SSC2s-8.5-CM72-UNV-927-9L-BKI-20-TD-GRC

MODEL	HEIGHT	MOUNTING	SUSP. LENGTH	VOLTAGE	COLOR	LUMENS	FINISH	OPTIC	DIMMING	OPTIONS
SSC2s										

<p>MODEL SSC2s</p> <p>HEIGHT 8.5 8.5" 10.5 10.5"</p> <p>MOUNTING CM Cord Mount (White for White Cylinders, Black for Black, Bronze & Silver Cylinders) SF Surface Mount</p> <p>CM LENGTH Specify the optional suspension length in inches. (Top of fixture to ceiling) (72" Standard, CM 4"-120" Max, Adjustable to shorten) *Consult factory & price guide for other lengths.</p> <p>VOLTAGE UNV Universal 120-277 Volt AC</p>	<p>COLOR 927 (93CRI) 2700K 930 (93CRI) 3000K 935 (93CRI) 3500K 940 (93CRI) 4000K</p> <p>LUMENS nominal 9L 900 lm @ 11W</p> <p>FINISH BKI Black (AAMA 2603) BRI Bronze (AAMA 2603) SLI Silver (AAMA 2603) WHI White (AAMA 2603) CCI Custom Color (AAMA 2603)</p>	<p>OPTICS nominal 20 Spot (20°) 30 Narrow Flood (30°) 40 Flood (40°) 50 Wide Flood (50°)</p> <p>DIMMING TD Tri-Dim (0-10V 1%, TRIAC & ELV) (Standard)</p> <p>OPTIONS 1 GRC Glow Ring Clear GRF Glow Ring Frosted GRB Glow Ring Blue GRA Glow Ring Amber GRR Glow Ring Red BB Black Baffle Trim (Standard) (Adjustable, Threaded) GB Gold Baffle Trim (Adjustable, Threaded)</p> <p>OPTIONS 2 HC HoneyComb Louver</p>
---	--	---

**All stated specifications have a tolerance of +/- 7%.

Due to continuous development and improvements, specifications are subject to change without notice. Solid State Luminaires reserves the right to change lab test details or specifications without notice. Product use certifies agreement to Solid State Luminaires terms and conditions.

SSC2s

LUMENS nominal

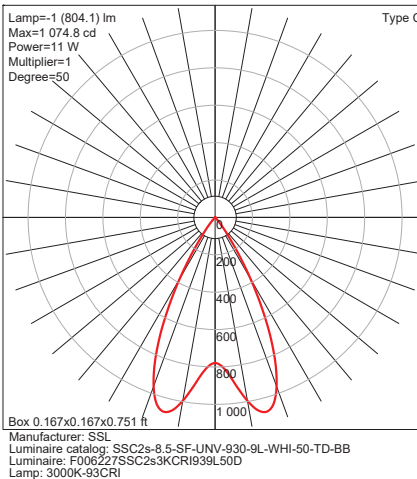
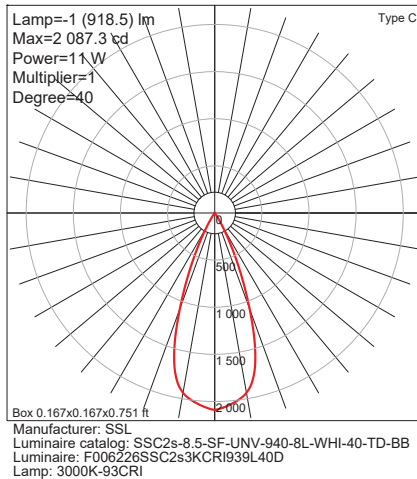
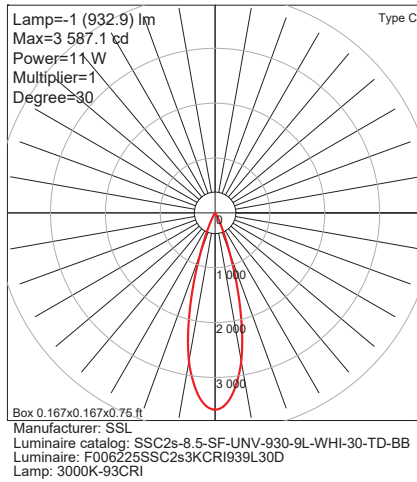
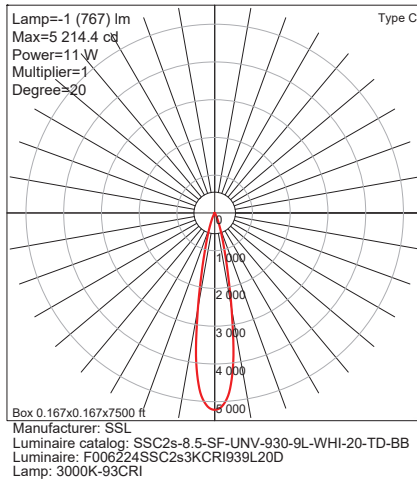
Model	Watts	930
SSC2s	11W	900 lm

IES Multiplier	
Color	Multiplier
927	0.96
930	1.00
935	1.01
940	1.02

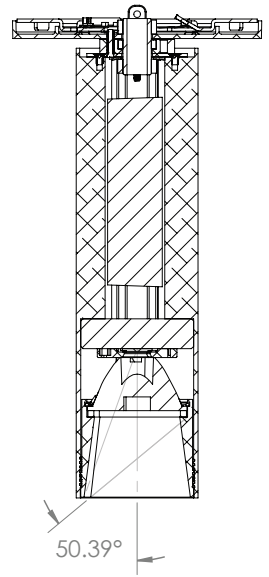
TRIAC & ELV Approved Dimmer List	
Manufacturer	Manufacturer Part Number
Lutron	Glyder GLV-600
	Diva DVLV-600P
	Diva DV-600P
	Diva DVELV-600P(303)
	Maestro MALV-600
	Nova T NT-1000
	Nova T NTELV-600
Leviton	Skylark SLV-600P
	RadioRA2-10ND
	SureSlide 6633 Illumatech IPE04

0-10V Approved Dimmer List	
Manufacturer	Manufacturer Part Number
Lutron	Diva DVSTV-XX
	Diva DVSTV-453PH-WH1
Leviton	Illumatech 010-IP710-DLZ

PHOTOMETRICS



VISIBLE CUT OFF ANGLE



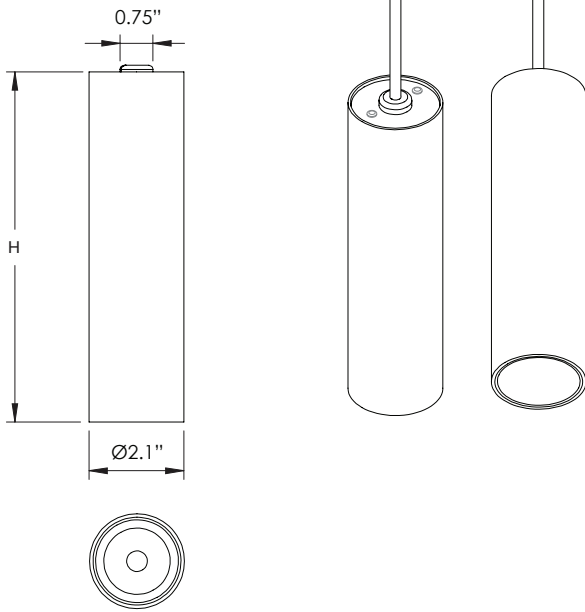
**All stated specifications have a tolerance of +/- 7%.

Due to continuous development and improvements, specifications are subject to change without notice. Solid State Luminaires reserves the right to change lab test details or specifications without notice. Product use certifies agreement to Solid State Luminaires terms and conditions.

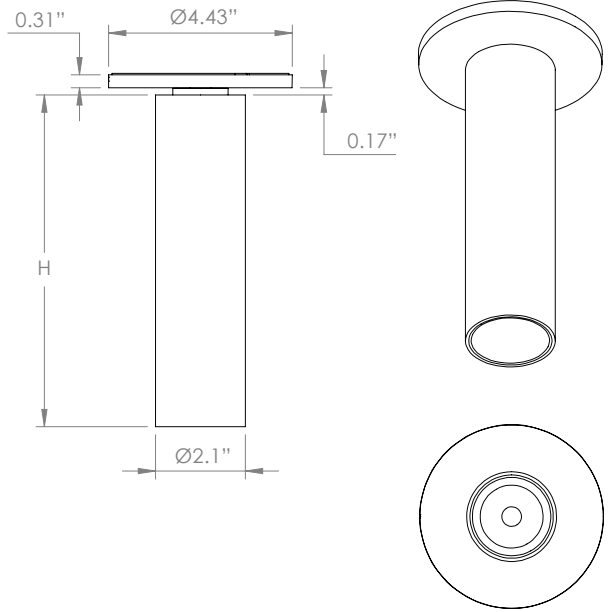
SSC2s

MOUNTING OPTIONS

CM - Cord Mount (White for White Cylinders, Black for Black, Bronze & Silver Cylinders)

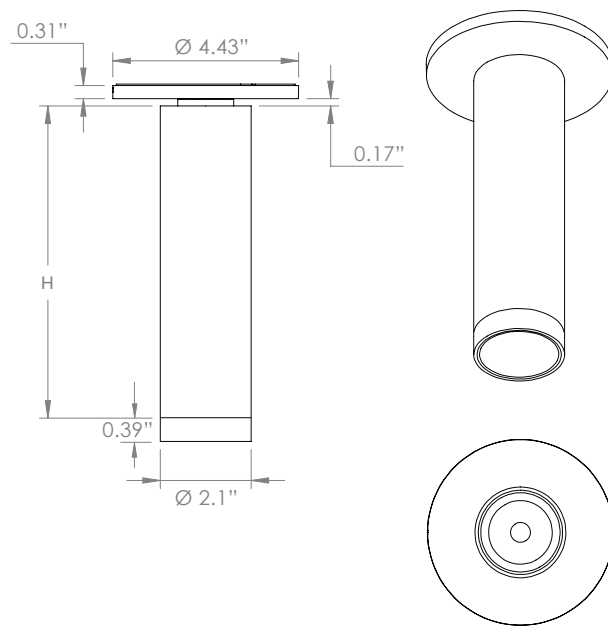
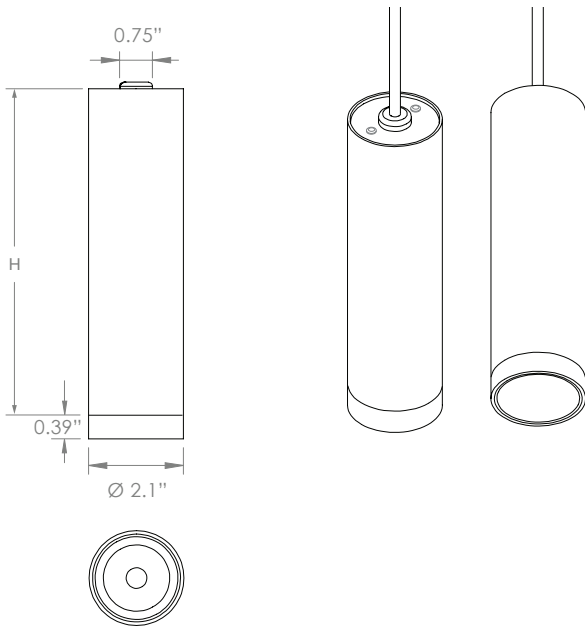


SF - Surface Mount



OPTIONS

GR - Glow Ring



***All stated specifications have a tolerance of +/- 7%.*

Due to continuous development and improvements, specifications are subject to change without notice. Solid State Luminaires reserves the right to change lab test details or specifications without notice. Product use certifies agreement to Solid State Luminaires terms and conditions.