

Date: \_\_\_\_\_  
 Type: \_\_\_\_\_  
 Fixture: \_\_\_\_\_  
 Project: \_\_\_\_\_

Approved: \_\_\_\_\_

# SSC2.5 Two and a Half Inch Round Seamless Indoor Cylinder

**Standard Drivers without Battery Backup**



## FEATURES

- Up to 2500 lumens (4000K)
- No visible seams or fasteners
- Tool-less field interchangeable optics
- Quick twist-lock mounting
- Multiple housing colors
- 93 CRI with 2 SDCM

## PERFORMANCE

**Beam Spread:** 15°, 25°, 50°, 60°  
**CCT Options:** 2700K, 3000K, 3500K, 4000K  
**CRI:** 93 CRI  
**Consistency:** 2 SDCM (Luminaire to Luminaire)  
**Lumens:** 500 - 2500 lumens (nominal)  
**Lumen Maintenance:** L70 >70,000 hours



## PHYSICAL

**Mounting:** Aircraft cable, cord, slope pendant, surface, wall, yoke mounts with twist-lock canopy or through drywall using optional mud ring adapter.  
**Housing:** No visible seams or fasteners, marine grade, corrosion resistant, solid aluminum extrusion, high pressure die-cast aluminum components, black baffle.  
**Finish:** Six stage chemical iron phosphate conversion pre-treatment. Polyester powder coat finish, 18 µm Min., 3,000 hour salt spray test (ASTM B117) AAMA 2603 specification.  
**Warranty:** 5-Year limited warranty  
**Lens:** IK05 impact compliant, clear anti-glare impact resistant optics  
**Ingress Protection:** Dry or damp locations IP43 rated  
**Weight:** 2-5 lbs (Depending on Length)  
**Operating Temperature:** -22°F to 104°F (-30°C to 40°C)

## ELECTRICAL

**Voltage:** Universal 120 - 277 VAC  
**Power Supply:** Integral Class II, electronic high-power factor >.90, THD < 20%, FCC Title 47 Part 15 Class A.  
**Power Consumption:** Maximum 32W  
**Dimming:** Standard: Tri-Dim (1%, 0-10V, 120 - 277 VAC), (1%, TRIAC & ELV, 120 VAC Only)  
**Standards:**  
 • cETLus Listed, CE, NOM, and RoHS Compliant.  
 • Tested to UL 1598 and UL 8750 standards / UL-Class I / IES LM-79 / LM-80 / FCC Part 15.

## PHYSICAL DIMENSIONS

Luminaire	Height	Aircraft Cable (AC)	Cord (CM)	Surface Mount (SF)	Pendant Mount (SPM)	Wall Mount (WM)	Yoke (Y)
SSC2.5-06	6.75" Height						
SSC2.5-08	8" Height						
SSC2.5-10	10" Height						
SSC2.5-12	12" Height						
SSC2.5-14	14" Height						
SSC2.5-16	16" Height						
SSC2.5-18	18" Height						
SSC2.5-20	20" Height						

Due to continuous development and improvements, specifications are subject to change without notice. Product use certifies agreement to Solid State Luminaires terms and conditions.

# SSC2.5 Two and a Half Inch Round Seamless Indoor Cylinder

## PRODUCT CODE

EXAMPLE: SSC2.5-6-SPM18-UNV-930-05L-BKI-15-TD

MODEL	HEIGHT	MOUNTING	SUSP. LENGTH	VOLTAGE	COLOR	LUMENS	FINISH	OPTIC	DIMMING	OPTIONS
SSC2.5				UNV					TD	

<p><b>MODEL</b> SSC2.5</p> <p><b>HEIGHT</b>  <b>6</b> 6.75" Height  <b>8</b> 8" Height  <b>10</b> 10" Height  <b>12</b> 12" Height  <b>14</b> 14" Height  <b>16</b> 16" Height  <b>18</b> 18" Height  <b>20</b> 20" Height</p> <p><b>MOUNTING</b>  <b>AC</b> Aircraft Cable  <b>CM</b> Cord Mount  <b>SF</b> Surface Mount  <b>SPM</b> Slope Pendant Mount  <b>WM</b> Wall Mount  <b>Y</b> Yoke (8" Maximum)</p> <p><b>AC/CM/SPM SUSPENSION LENGTH</b>          Specify the optional cable suspension length in inches. (Top of luminaire to ceiling) (AC &amp; CM 4"-120" Max, Field Adjustable) (SPM 18" Standard, 4"-120" Max; 61"-120" w/LD &amp; ET only and stem comes in 2 sections)          *Consult factory &amp; price guide for other lengths.</p> <p><b>VOLTAGE</b>  <b>UNV</b> Universal 120 - 277 VAC</p>	<p><b>COLOR</b>  <b>927</b> (93CRI) 2700K  <b>930</b> (93CRI) 3000K  <b>935</b> (93CRI) 3500K  <b>940</b> (93CRI) 4000K          Other CCT/CRI available upon request.</p> <p><b>LUMENS nominal</b>  <b>05L</b> 500 lm  <b>10L</b> 1000 lm (Minimum 8" H)  <b>15L</b> 1500 lm (Minimum 8" H)  <b>20L</b> 2000 lm (Minimum 8" H)  <b>25L</b> 2500 lm (Minimum 12" H)</p> <p><b>FINISH</b>  <b>BKI</b> Black  <b>BRI</b> Bronze  <b>SLI</b> Silver  <b>WHI</b> White  <b>CCI</b> Custom Color</p>	<p><b>OPTIC nominal</b>  <b>15</b> Spot (15°)  <b>25</b> Narrow Flood (25°)  <b>50</b> Flood (50°)  <b>60</b> Wide Flood (60°)</p> <p><b>DIMMING</b>  <b>TD</b> Standard: Tri-Dim (1%, 0-10V, 120 - 277 VAC), (1%, TRIAC &amp; ELV, 120 VAC Only)</p> <p><b>OPTIONS</b>  <b>CO</b> Surface Mount Conduit Adapter  <b>MRA</b> Mud Ring Adapter</p>
--	---	---

## ACCESSORIES (Order separately.)

**XCR** Remote mount DMX to 0-10V Converter controls (1) or (2) circuits or fixtures w/0-10V Control Driver (TD)

# SSC2.5 Two and a Half Inch Round Seamless Indoor Cylinder

## LUMENS / WATTAGE nominal

Model	Watts	Lumens
SSC2.5	6.8 W	500 lm
	12 W	1000 lm
	19 W	1500 lm
	25 W	2000 lm
	32 W	2500 lm

Lifetime Calculations				
Model	L70	L70	L90	L90
	Calculated	Reported	Calculated	Reported
SSC2.5	125000	>60500	38200	38200

\*Specific Lumen Output Lifetime available upon request.

\*All lifetimes based on B50.

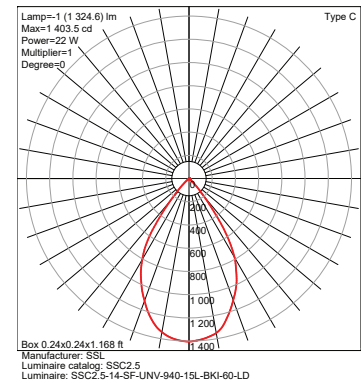
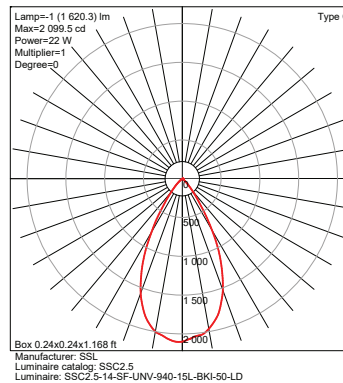
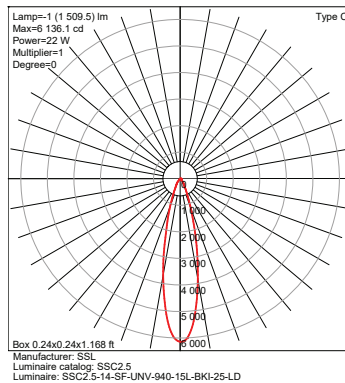
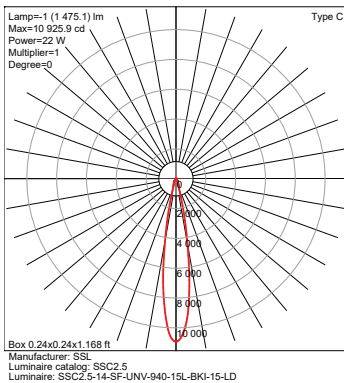
IES Multiplier	
Color	Multiplier
927	0.92
930	0.95
935	0.98
940	1.00

\*83CRI@1.15 Consult factory.

TRIAC & ELV Approved Dimmer List	
Manufacturer	Manufacturer Part Number
Lutron	Glyder GLV-600
	Diva DVLV-600P
	Diva DV-600P
	Diva DVELV-600P(303)
	Maestro MALV-600
	Nova T NT-1000
	Nova T NTELV-600
Leviton	Skylark SLV-600P
	RadioRA2-10ND
	SureSlide 6633 Illumatech IPE04

0-10V Approved Dimmer List	
Manufacturer	Manufacturer Part Number
Lutron	Diva DVSTV-XX
	Diva DVSTV-453PH-WH1
Leviton	Illumatech 010-IP710-DLZ

## PHOTOMETRICS

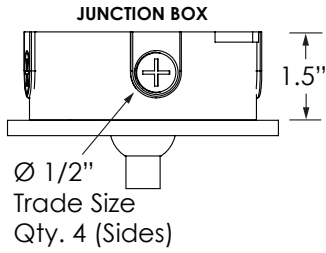


# SSC2.5 Two and a Half Inch Round Seamless Indoor Cylinder

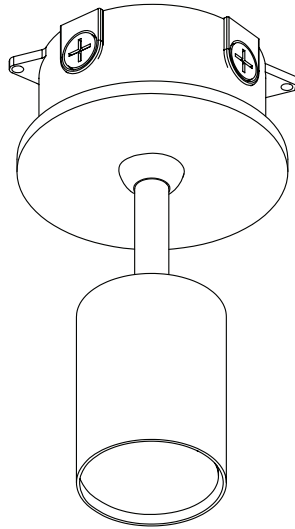
## CO Option

Surface Mount Conduit Adapter

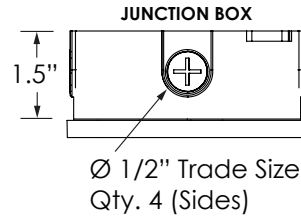
For wall or ceiling installation.  
*NOT* for use in upright pier mount.



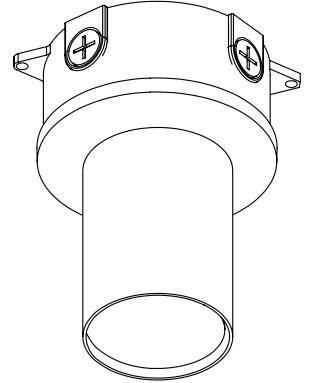
**SURFACE MOUNT  
CONDUIT ADAPTER**  
(for SPM Cylinders)



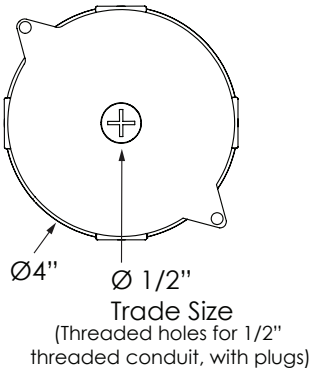
For wall or ceiling installation.  
*NOT* for use in upright pier mount.



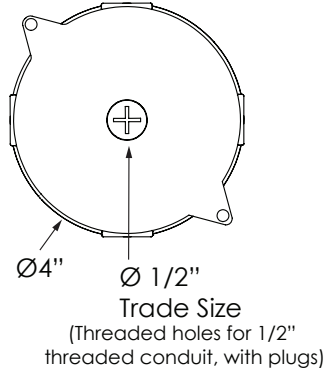
**SURFACE MOUNT  
CONDUIT ADAPTER**  
(for AC, CM, SF Cylinders)



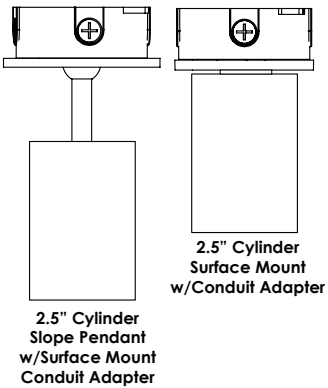
**TOP VIEW  
JUNCTION BOX**  
(Hole Center Top)



**TOP VIEW  
JUNCTION BOX**  
(Hole Center Top)



**Surface Mount Conduit Adapter can be added to any  
of the AC, CM, SF and SPM Mounts**



## SSC2.5 Two and a Half Inch Round Seamless Indoor Cylinder

### MRA Option

Mud Ring Adapter

