

SSC2.5R Remote Standard or Premium Drivers w/Optional Battery Backup

2.5" Round seamless indoor cylinders



FEATURES

- Up to 14W Max, Over 100 LPW
- No visible seams or fasteners
- Tool-less field interchangeable optics
- Quick twist-lock mounting
- Multiple finish color options
- 1.5G Vibration Tested
- 93 CRI with 2 SDCM

PERFORMANCE

Beam Spread: 10° | 15° | 25° | 50° | 60°
CCT Options: 2700K, 3000K, 3500K, 4000K, 5700K
CRI: 93 CRI
Consistency: 2 SDCM (Fixture to Fixture)
Lumens: 500-1500 lm
Lifetime: > 70,000 hours / L70 or better

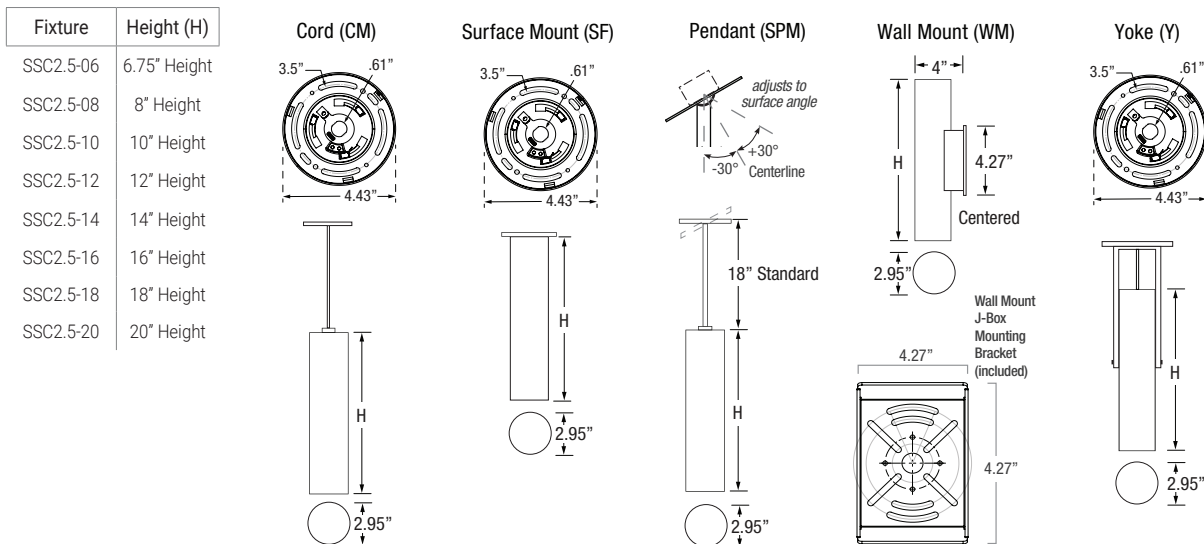
PHYSICAL

Mounting: Aircraft cable, cord, slope pendant, surface, wall, yoke mounts with twist-lock canopy.
Ingress Protection: Dry or damp locations IP43 rated
Finish: Six stage chemical iron phosphate conversion pre-treatment. Polyester powder coat finish, 18 µm Min., 3000hr salt spray test (ASTM B117) AAMA 2603 specification.
Warranty: 5-Year limited warranty (refer to website for details)
Housing: No visible seams or fasteners, marine grade, corrosion resistant, solid aluminum extrusion, high pressure die-cast aluminum components, black baffle.
Lens: IK05 impact compliant, clear anti-glare tempered glass
Vibration Resistance: Compliant with 1.5G ANSI C136.31, Seismic rated AC-156
Weight: 2-5 lbs (Depending on Length)
Operating Temperature: -22°F to 122°F (-30°C to 50°C)

ELECTRICAL

Voltage: Universal 120-277V AC standard, 347V optional
Power Supply: Integral Class II, electronic high-power factor >.90, THD < 20%, FCC Title 47 Part 15 Class A. EldoLED & Lutron optional.
Power Consumption: Up to 1500 lm / 14W
Dimming: standard: 0-10V Dimming, 1% | optional: XA, XCR, ET, E1, E2, L1, L2
Certification: CEC Title 24 - JA8 Compliant (93 CRI Only)
Standards: cETLus Listed, CE, NOM, and RoHS Compliant, tested to UL 1598 and UL 8750 standards / UL-Class I / IES LM-79 / LM-80 / FCC Part 15

PHYSICAL DIMENSIONS



Date: _____
 Type: _____
 Fixture: _____
 Project: _____

Approved: _____

SSC2.5R Remote Standard or Premium Drivers w/Optional Battery Backup

PRODUCT CODE

EXAMPLE: SSC2.5R-6-SPM18-UNV-930-10L-BKI-10-ET

MODEL	HEIGHT	MOUNTING	SUSP. LENGTH	VOLTAGE	COLOR	LUMENS	FINISH	OPTIC	DIMMING	OPTIONS	BATTERY
SSC2.5R											

MODEL
SSC2.5R
 LED DRIVER REMOTE (INDOOR)
 IP20, IK08, NEMA 1, -20°C to +50°C,
 30' MAX Distance with 12AWG

HEIGHT

- 6 6.75" Height
- 8 8" Height
- 10 10" Height
- 12 12" Height
- 14 14" Height
- 16 16" Height
- 18 18" Height
- 20 20" Height

MOUNTING

- CM Cord Mount
- SF Surface Mount
- SPM Slope Pendant Mount
- WM Wall Mount
- Y Yoke (8" Max)

CM/SPM SUSPENSION LENGTH

Specify the optional suspension length in inches.
 (Top of fixture to ceiling) (AC & CM 4"-120" Max, Field Adjustable) (SPM 18" Standard, 4"-120" Max; 61"-120" w/LD & ET Only and stem comes in 2 sections) *Consult factory & price guide for other lengths.

VOLTAGE

- UNV Universal 120-277 Volt AC
- 347V 347 Volt AC (LD 0-10V Only) (SF, SPM, WM Only)

COLOR

- 927 (93CRI) 2700K
- 930 (93CRI) 3000K
- 935 (93CRI) 3500K
- 940 (93CRI) 4000K
- 957 (93CRI) 5700K

LUMENS nominal

- 05L 500 lm
- 10L 1000 lm
- 15L 1500 lm

FINISH

- BKI Black (AAMA 2603)
- BRI Bronze (AAMA 2603)
- SLI Silver (AAMA 2603)
- WHI White (AAMA 2603)
- CCI Custom Color (AAMA 2603)

OPTIC nominal **w/SOFT FIELD**

- 10 Narrow Spot (10°) N/A (Leave Blank)
- 15 Spot (15°)
- 25 Narrow Flood (25°)
- 50 Flood (50°)
- 60 Wide Flood (60°)

DIMMING

- ET ELV or TRIAC Driver
- LD 0-10V Dimming, 1% (Standard)
- XA DMX Dim to 0.1% (Only 10L-15L) (SPM and WM Only)
- E1 eldoLED 0-10V, Dim to 0.1%, Dim-to-Off (Only 05L-15L)
- E2 eldoLED DALI-2 Dim to 0.1% (Only 05L-15L)
- L1 Lutron Hi-Lume 1% Ecosystem (Digital Dimming), Soft-on Fade-to-Black (10L-15L)
- L2 Lutron Hi-Lume 1% 2-Wire (Forward Phase Dimming) (10L-15L)

OPTIONS

- CO Surface Mount Conduit Adapter

BATTERY

- BBUR BATTERY BACK-UP & LED DRIVER REMOTE (INDOOR), IP20, IK08, NEMA 1, 0°C to +48°C, 30' MAX Distance with 12AWG (w/UNV Option Only)

ACCESSORIES (Order separately.)

XCR Remote mount DMX to 0-10V Converter controls (1) or (2) circuits or fixtures w/0-10V Control Driver (LD)

SSC2.5R Remote Standard or Premium Drivers w/Optional Battery Backup

LUMENS

Model	Watts	940
SSC2.5R	4 W	500 lm
	8.5 W	1000 lm
	14 W	1500 lm

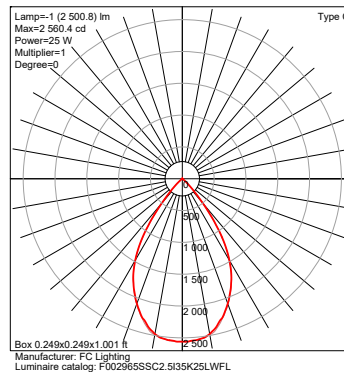
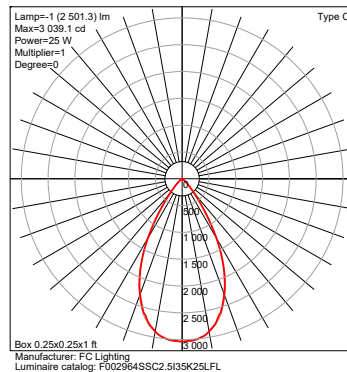
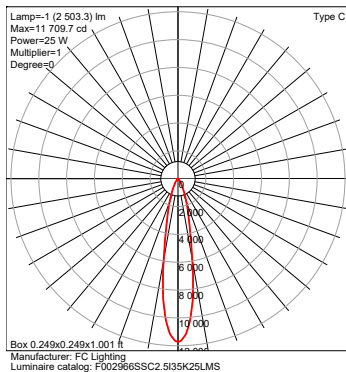
IES Multiplier	
Color	Multiplier
927	0.93
930	0.97
935	0.99
940	1.00

*83CRI≤1.15 Consult factory.

TRIAC & ELV Approved Dimmer List	
Manufacturer	Manufacturer Part Number
Lutron	Glyder GLV-600
	Diva DVLV-600P
	Diva DV-600P
	Diva DVELV-600P(303)
	Maestro MALV-600
	Nova T NT-1000
	Nova T NTELV-600
Leviton	Skylark SLV-600P
	RadioRA2-10ND
	SureSlide 6633
illumatech IPE04	

0-10V Approved Dimmer List	
Manufacturer	Manufacturer Part Number
Lutron	Diva DVSTV-XX
	Diva DVSTV-453PH-WH1
Leviton	illumatech 010-IP710-DLZ

PHOTOMETRICS



Due to continuous development and improvements, specifications are subject to change without notice. Solid State Luminaires reserves the right to change lab test details or specifications without notice. Product use certifies agreement to Solid State Luminaires terms and conditions. **All stated specifications have a tolerance of +/- 7%.



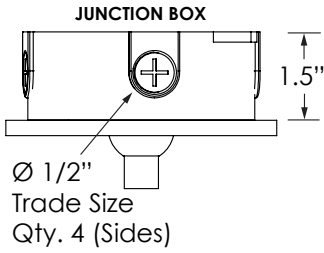
US Commercial Lighting Manufacturer Since 1982

SSC2.5R Remote Standard or Premium Drivers w/Optional Battery Backup

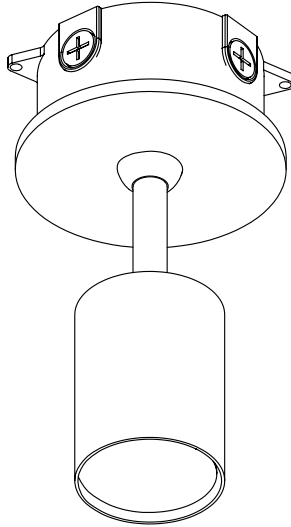
CO Option

Surface Mount Conduit Adapter

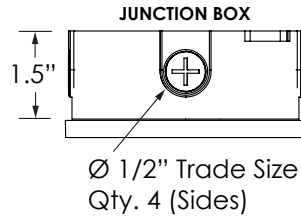
For wall or ceiling installation.
NOT for use in upright pier mount.



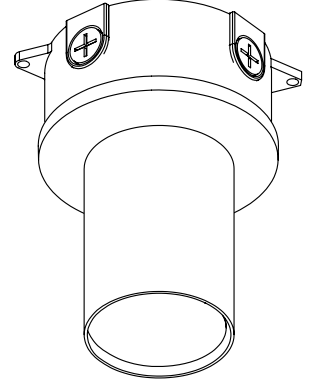
**SURFACE MOUNT
CONDUIT ADAPTER**
(for SPM Cylinders)



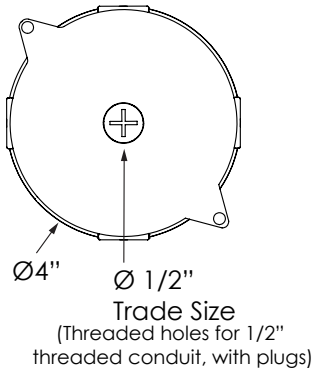
For wall or ceiling installation.
NOT for use in upright pier mount.



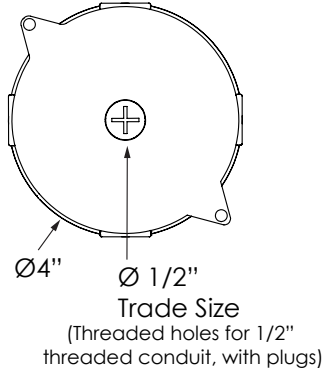
**SURFACE MOUNT
CONDUIT ADAPTER**
(for AC, CM, SF Cylinders)



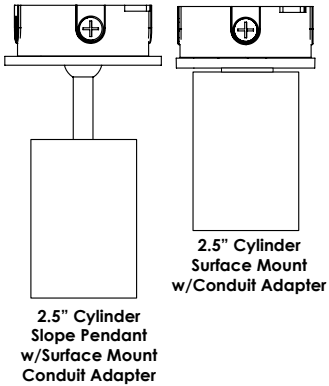
**TOP VIEW
JUNCTION BOX**
(Hole Center Top)



**TOP VIEW
JUNCTION BOX**
(Hole Center Top)



**Surface Mount Conduit Adapter can be added to any
of the AC, CM, SF and SPM Mounts**



SSC2.5R Remote Standard or Premium Drivers w/Optional Battery Backup

BATTERY BACK-UPS

BBUR - BATTERY BACK-UP & LED DRIVER REMOTE (INDOOR), IP20, IK08, NEMA 1, 0°C to +48°C, 30' MAX Distance with 12AWG (w/UNV Option Only)

