

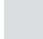



Date: _____
 Type: _____
 Fixture: _____
 Project: _____

Approved: _____

SSC2.5G Standard Drivers w/ Glow Rings

2.5" Round seamless indoor cylinders with glow rings



- Frosted 
- Amber 
- Red 
- Blue 



FEATURES

- Multiple finish & glow ring color options
- Up to 14W Max, Over 100 LPW
- No visible seams or fasteners
- Tool-less field interchangeable optics
- Quick twist-lock mounting
- 1.5G Vibration Tested
- 93 CRI with 2 SDCM

PERFORMANCE

Beam Spread: 15° | 20° | 50°
CCT Options: 2700K, 3000K, 3500K, 4000K
CRI: 93 CRI
Consistency: 2 SDCM (Fixture to Fixture)
Lumens: 500-1500 lm
Lifetime: > 70,000 hours / L70 or better

PHYSICAL

Mounting: Aircraft cable, cord, slope pendant, surface, wall, yoke mounts with twist-lock canopy. Twist-lock canopy mounts to standard Octagon J-Box.
Ingress Protection: Dry or damp locations IP43 rated
Finish: Six stage chemical iron phosphate conversion pre-treatment. Polyester powder coat finish, 18 µm Min., 3000hr salt spray test (ASTM B117) AAMA 2603 specification.
Warranty: 5-Year limited warranty (refer to website for details)
Housing: No visible seams or fasteners, marine grade, corrosion resistant, solid aluminum extrusion, high pressure die-cast aluminum components, black baffle.
Lens: IK07 impact compliant, acrylic glow ring
Vibration Resistance: Compliant with 1.5G ANSI C136.31, Seismic rated AC-156
Weight: 2-5 lbs (Depending on Length)
Operating Temperature: -22°F to 122°F (-30°C to 50°C)

ELECTRICAL

Voltage: Universal 120-277V AC standard
Power Supply: Integral Class II, electronic high-power factor >.90, THD < 20%, FCC Title 47 Part 15 Class A.
Power Consumption: Up to 1500 lm @ 14W
Dimming: Standard: 0-10V Dimming, 1% | Optional: ET, XCR | *Other commercial grade systems can be subject to testing or approval via factory request (equipment by others).
Certification: CEC Title 24 - JA8 Compliant
Standards: cETLus Listed, CE, NOM, and RoHS Compliant, tested to UL 1598 and UL 8750 standards / UL-Class I / IES LM-79 / LM-80 / FCC Part 15

PHYSICAL DIMENSIONS

Fixture	Height (H)	Aircraft Cable (AC)	Cord (CM)	Surface Mount (SF)	Pendant (SPM)	Wall Mount (WM)	Yoke (Y)
SSC2.5-07	(6.75"+ 0.45") 7.2" Total Height						
SSC2.5-10	(10"+ 0.45") 10.45" Total Height						
SSC2.5-14	(14"+ 0.45") 14.45" Total Height *Consult factory for any other height options.						

Due to continuous development and improvements, specifications are subject to change without notice. Solid State Luminaires reserves the right to change lab test details or specifications without notice. Product use certifies agreement to Solid State Luminaires terms and conditions. All stated specifications have a tolerance of +/- 7%.

Date: _____
 Type: _____
 Fixture: _____
 Project: _____

Approved: _____

SSC2.5G Standard Drivers w/ Glow Rings

PRODUCT CODE

EXAMPLE: SSC2.5G-14-SPM18-UNV-930-10L-BKI-15-LD-GRR

MODEL	HEIGHT	MOUNTING	SUSP. LENGTH	VOLTAGE	COLOR	LUMENS	FINISH	OPTIC	DIMMING	OPTIONS	BACKUP
SSC2.5G											
MODEL SSC2.5G		HEIGHT 07 (6.75"+ 0.45") 7.2" Total Height 10 (10"+ 0.45") 10.45" Total Height 14 (14"+ 0.45") 14.45" Total Height *Consult factory for any other height options.		COLOR 927 (93CRI) 2700K 930 (93CRI) 3000K 935 (93CRI) 3500K 940 (93CRI) 4000K		LUMENS 05L 500 lm 10L 1000 lm 15L 1500 lm		OPTIC nominal 15 Spot (15°) 20 Narrow Flood (20°) 50 Flood (50°)		DIMMING ET ELV or TRIAC Driver LD 0-10V Dimming, 1% (Standard) *Other commercial grade systems can be subject to testing or approval via factory request (equipment by others).	
MOUNTING AC Aircraft Cable CM Cord Mount SF Surface Mount SPM Slope Pendant Mount WM Wall Mount Y Yoke (8" Max)		AC/CM/SPM SUSPENSION LENGTH Specify the optional suspension length in inches. (Top of fixture to ceiling) (AC & CM 4"-120" Max, Field Adjustable) (SPM 18" Standard, 4"-120" Max; 61"-120" w/LD & ET Only and stem comes in 2 sections) *Consult factory & price guide for other lengths.		FINISH BKI Black (AAMA 2603) BRI Bronze (AAMA 2603) SLI Silver (AAMA 2603) WHI White (AAMA 2603) CCI Custom Color (AAMA 2603)		OPTIONS 1 GRF Glow Ring Frosted GRR Glow Ring Red GRA Glow Ring Amber GRB Glow Ring Blue		OPTIONS 2 CO Surface Mount Conduit Adapter		BACKUP N/A (Leave blank)	

ACCESSORIES (Order separately.)

XCR Remote mount DMX to 0-10V Converter controls (1) or (2) circuits or fixtures w/0-10V Control Driver (LD)



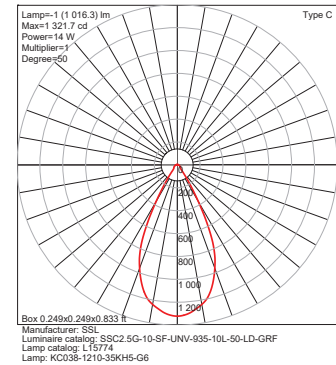
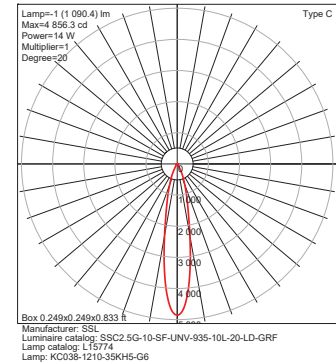
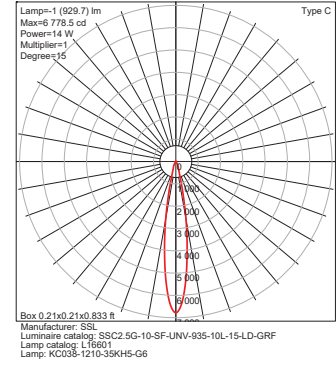
SSC2.5G Standard Drivers w/ Glow Rings

LUMENS nominal

Model	Watts	935
SSC2.5G	4 W	500 lm
	8.5 W	1000 lm
	14 W	1500 lm

PHOTOMETRICS

(Below photos and graphs are shown with frosted drop diffusers or glow rings.)



IES Multiplier	
Color	Multiplier
927	0.95
930	0.98
935	1.00
940	1.01

TRIAC & ELV Approved Dimmer List	
Manufacturer	Manufacturer Part Number
Lutron	Glyder GLV-600
	Diva DVLV-600P
	Diva DV-600P
	Diva DVELV-600P(303)
	Maestro MALV-600
	Nova T NT-1000
	Nova T NTELV-600
	Skylark SLV-600P
RadioRA2-10ND	
Leviton	SureSlide 6633
	Illumatech IPE04

0-10V Approved Dimmer List	
Manufacturer	Manufacturer Part Number
Lutron	Diva DVSTV-XX
	Diva DVSTV-453PH-WH1
Leviton	Illumatech 010-IP710-DLZ

Due to continuous development and improvements, specifications are subject to change without notice. Solid State Luminaires reserves the right to change lab test details or specifications without notice. Product use certifies agreement to Solid State Luminaires terms and conditions. All stated specifications have a tolerance of +/- 7%.



US Commercial Lighting Manufacturer Since 1982

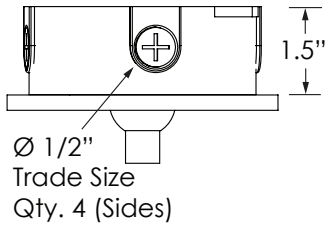
SSC2.5G Standard Drivers w/ Glow Rings

CO Option

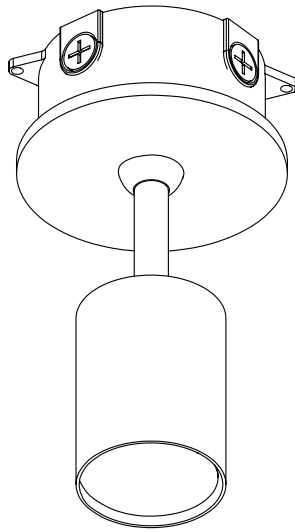
Glow Ring Frosted

For wall or ceiling installation.
NOT for use in uplight pier mount.

JUNCTION BOX

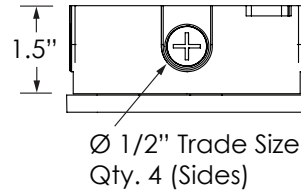


SURFACE MOUNT CONDUIT ADAPTER (for SPM Cylinders)

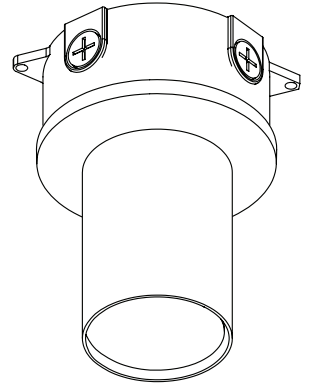


For wall or ceiling installation.
NOT for use in uplight pier mount.

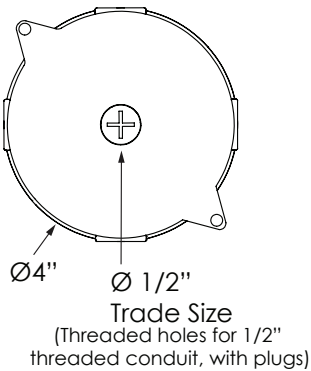
JUNCTION BOX



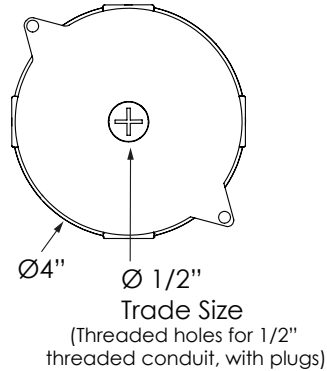
SURFACE MOUNT CONDUIT ADAPTER (for AC, CM, SF Cylinders)



TOP VIEW JUNCTION BOX (Hole Center Top)



TOP VIEW JUNCTION BOX (Hole Center Top)



Surface Mount Conduit Adapter can be added to any of the AC, CM, SF and SPM Mounts

