

Date: _____
 Type: _____
 Fixture: _____
 Project: _____

Approved: _____

SSC2.5GR Remote Standard or Premium Drivers w/Optional BBUR & Glow Rings

2.5" Round seamless indoor cylinders with glow rings



- Frosted
- Amber
- Red
- Blue



(White Finish w/ Red Glow Ring Shown Above)

FEATURES

- Multiple finish & glow ring color options
- Up to 14W Max, Over 100 LPW
- No visible seams or fasteners
- Tool-less field interchangeable optics
- Quick twist-lock mounting
- 1.5G Vibration Tested
- 93 CRI with 2 SDCM

PERFORMANCE

Beam Spread: 15° | 20° | 50°
CCT Options: 2700K, 3000K, 3500K, 4000K
CRI: 93 CRI
Consistency: 2 SDCM (Fixture to Fixture)
Lumens: 500-1500 lm
Lifetime: > 70,000 hours / L70 or better

PHYSICAL

Mounting: Aircraft cable, cord, slope pendant, surface, wall, yoke mounts with twist-lock canopy. Twist-lock canopy mounts to standard Octagon J-Box.
Ingress Protection: Dry or damp locations IP43 rated
Finish: Six stage chemical iron phosphate conversion pre-treatment. Polyester powder coat finish, 18 µm Min., 3000hr salt spray test (ASTM B117) AAMA 2603 specification.
Warranty: 5-Year limited warranty (refer to website for details)
Housing: No visible seams or fasteners, marine grade, corrosion resistant, solid aluminum extrusion, high pressure die-cast aluminum components, black baffle.
Lens: IK07 impact compliant, acrylic glow ring
Vibration Resistance: Compliant with 1.5G ANSI C136.31, Seismic rated AC-156
Weight: 2-5 lbs (Depending on Length)
Operating Temperature: -22°F to 122°F (-30°C to 50°C)

ELECTRICAL

Voltage: Universal 120-277V AC standard, 347V optional
Power Supply: Integral Class II, electronic high-power factor >.90, THD < 20%, FCC Title 47 Part 15 Class A. EldoLED & Lutron optional.
Power Consumption: Up to 1500 lm @ 14W
Dimming: Standard: 0-10V Dimming, 1% | Optional: XA, XCR, ET, E1, E2, L1, L2 |
 *Other commercial grade systems can be subject to testing or approval via factory request (equipment by others).
Certification: CEC Title 24 - JA8 Compliant
Standards: cETLus Listed, CE, NOM, and RoHS Compliant, tested to UL 1598 and UL 8750 standards / UL-Class I / IES LM-79 / LM-80 / FCC Part 15

PHYSICAL DIMENSIONS

Fixture	Height (H)	Cord (CM)	Surface Mount (SF)	Pendant (SPM)	Wall Mount (WM)	Yoke (Y)
SSC2.5-07	(6.75"+ 0.45") 7.2" Total Height					
SSC2.5-10	(10"+ 0.45") 10.45" Total Height					
SSC2.5-14	(14"+ 0.45") 14.45" Total Height *Consult factory for any other height options.					

Due to continuous development and improvements, specifications are subject to change without notice. Solid State Luminaires reserves the right to change lab test details or specifications without notice. Product use certifies agreement to Solid State Luminaires terms and conditions. All stated specifications have a tolerance of +/- 7%.



US Commercial Lighting Manufacturer Since 1982

SSC2.5GR Remote Standard or Premium Drivers w/Optional BBUR & Glow Rings

PRODUCT CODE

EXAMPLE: SSC2.5GR-14-SPM18-UNV-930-10L-BKI-15-LD-GRR

MODEL	HEIGHT	MOUNTING	SUSP. LENGTH	VOLTAGE	COLOR	LUMENS	FINISH	OPTIC	DIMMING	OPTIONS	BACKUP
SSC2.5GR											

MODEL
SSC2.5GR
 LED DRIVER REMOTE (INDOOR)
 IP20, IK08, NEMA 1, -20°C to +50°C,
 30' MAX Distance with 12AWG

HEIGHT
07 (6.75"+ 0.45") 7.2" Total Height
10 (10"+ 0.45") 10.45" Total Height
14 (14"+ 0.45") 14.45" Total Height
 *Consult factory for any other height options.

MOUNTING
CM Cord Mount
SF Surface Mount
SPM Slope Pendant Mount
WM Wall Mount
Y Yoke (8" Max)

AC/CM/SPM SUSPENSION LENGTH
 Specify the optional suspension length in inches. (Top of fixture to ceiling) (AC & CM 4"-120" Max, Field Adjustable) (SPM 18" Standard, 4"-120" Max; 61"-120" w/LD & ET Only and stem comes in 2 sections) *Consult factory & price guide for other lengths.

VOLTAGE
UNV Universal 120-277 Volt AC
347V 347 Volt AC (LD 0-10V Only) (SF, SPM, WM Only)

ACCESSORIES (Order separately.)

XCR Remote mount DMX to 0-10V Converter controls (1) or (2) circuits or fixtures w/0-10V Control Driver (LD, E1)

COLOR
927 (93CRI) 2700K
930 (93CRI) 3000K
935 (93CRI) 3500K
940 (93CRI) 4000K

LUMENS
05L 500 lm
10L 1000 lm
15L 1500 lm

FINISH
BKI Black (AAMA 2603)
BRI Bronze (AAMA 2603)
SLI Silver (AAMA 2603)
WHI White (AAMA 2603)
CCI Custom Color (AAMA 2603)

OPTIC nominal
15 Spot (15°)
20 Narrow Flood (20°)
50 Flood (50°)

DIMMING
ET ELV or TRIAC Driver
LD 0-10V Dimming, 1% (Standard)
XA DMX Dim to 0.1% (SPM and WM Only)
E1 eldoLED 0-10V, Dim to 0.1%, Dim-to-Off
E2 eldoLED DALI-2 Dim to 0.1%
L1 Lutron Hi-Lume 1% Ecosystem (Digital Dimming), Soft-on Fade-to-Black (10L-15L)
L2 Lutron Hi-Lume 1% 2-Wire (Forward Phase Dimming) (10L-15L)
 *Other commercial grade systems can be subject to testing or approval via factory request (equipment by others).

OPTIONS 1
GRF Glow Ring Frosted
GRR Glow Ring Red
GRA Glow Ring Amber
GRB Glow Ring Blue

OPTIONS 2
CO Surface Mount Conduit Adapter

BACKUP
BBUR BATTERY BACK-UP & LED DRIVER REMOTE (INDOOR), IP20, IK08, NEMA 1, 0°C to +48°C, 30' MAX Distance with 12AWG (w/UNV Option Only)
N/A (Leave blank if No Battery Backup Needed)

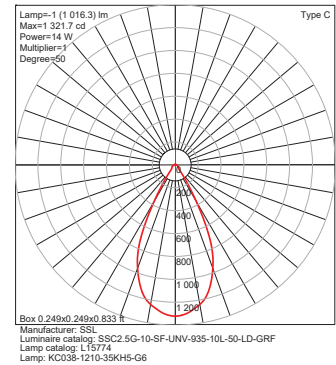
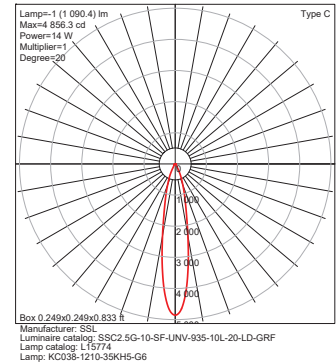
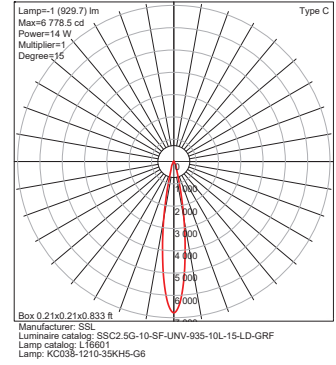
SSC2.5GR Remote Standard or Premium Drivers w/Optional BBUR & Glow Rings

LUMENS nominal

Model	Watts	935
SSC2.5GR	4 W	500 lm
	8.5 W	1000 lm
	14 W	1500 lm

PHOTOMETRICS

(Below photos and graphs are shown with frosted drop diffusers or glow rings.)



IES Multiplier	
Color	Multiplier
927	0.95
930	0.98
935	1.00
940	1.01

TRIAC & ELV Approved Dimmer List	
Manufacturer	Manufacturer Part Number
Lutron	Glyder GLV-600
	Diva DVLV-600P
	Diva DV-600P
	Diva DVELV-600P(303)
	Maestro MALV-600
	Nova T NT-1000
	Nova T NTELV-600
	Skylark SLV-600P
RadioRA2-10ND	
Leviton	SureSlide 6633
	Illumatech IPE04

0-10V Approved Dimmer List	
Manufacturer	Manufacturer Part Number
Lutron	Diva DVSTV-XX
	Diva DVSTV-453PH-WH1
Leviton	Illumatech 010-IP710-DLZ

Due to continuous development and improvements, specifications are subject to change without notice. Solid State Luminaires reserves the right to change lab test details or specifications without notice. Product use certifies agreement to Solid State Luminaires terms and conditions. All stated specifications have a tolerance of +/- 7%.

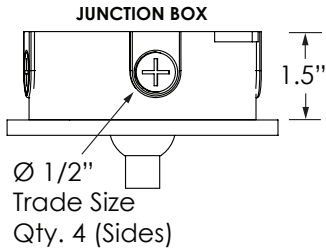


SSC2.5GR Remote Standard or Premium Drivers w/Optional BBUR & Glow Rings

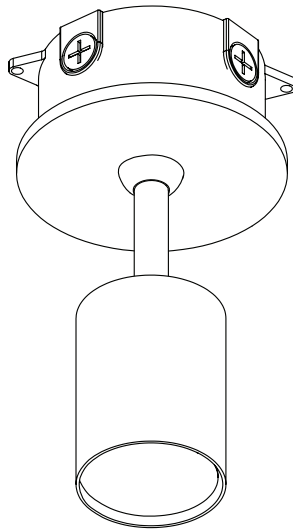
CO Option

Glow Ring Frosted

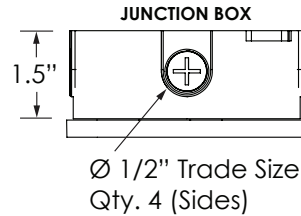
For wall or ceiling installation.
NOT for use in uplight pier mount.



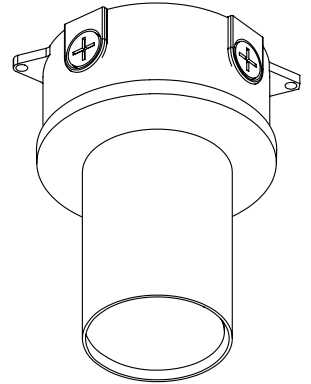
**SURFACE MOUNT
CONDUIT ADAPTER**
(for SPM Cylinders)



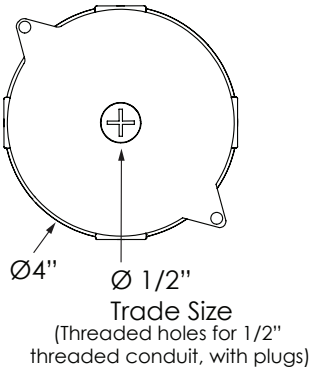
For wall or ceiling installation.
NOT for use in uplight pier mount.



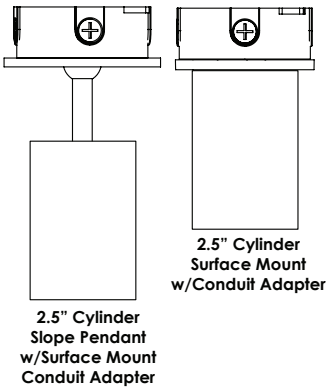
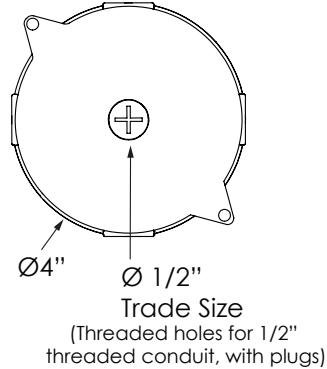
**SURFACE MOUNT
CONDUIT ADAPTER**
(for AC, CM, SF Cylinders)



**TOP VIEW
JUNCTION BOX**
(Hole Center Top)



**TOP VIEW
JUNCTION BOX**
(Hole Center Top)



**Surface Mount Conduit Adapter can be added to any
of the AC, CM, SF and SPM Mounts**



SSC2.5GR Remote Standard or Premium Drivers w/Optional BBUR & Glow Rings

BATTERY BACK-UPS

BBUR - BATTERY BACK-UP & LED DRIVER REMOTE (INDOOR), IP20, IK08, NEMA 1, 0°C to +48°C, 30' MAX Distance with 12AWG (w/UNV Option Only)

