

SSC10 Standard or Premium Drivers and Optional Integral Battery Backup

10" Round seamless indoor cylinders



FEATURES

- Up to 98W Max, Over 100 LPW
- No visible seams or fasteners
- Tool-less field interchangeable optics
- Quick twist-lock mounting
- Multiple finish color options
- 1.5G Vibration Tested
- 93 CRI with 2 SDCM

PERFORMANCE

Beam Spread: 25° | 35° | 50° | 60° | 72° | WW
CCT Options: 2700K, 3000K, 3500K, 4000K, 5000K
CRI: 93 CRI
Consistency: 2 SDCM (Fixture to Fixture)
Lumens: 3000-9500 lm
Lifetime: > 70,000 hours / L70 or better

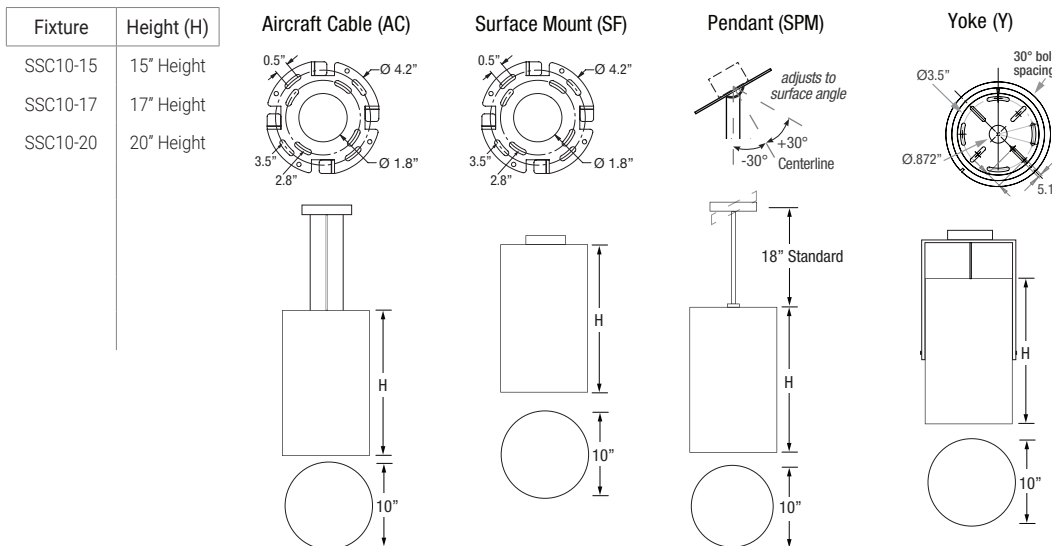
PHYSICAL

Mounting: Aircraft cable, slope pendant, surface, yoke mounts with canopy.
Ingress Protection: Dry or damp locations IP43 rated
Finish: Six stage chemical iron phosphate conversion pre-treatment. Polyester powder coat finish, 18 µm Min., 3000hr salt spray test (ASTM B117) AAMA 2603 specification .
Warranty: 5-Year limited warranty (refer to website for details)
Housing: No visible seams or fasteners, marine grade, corrosion resistant, solid aluminum extrusion, high pressure die-cast aluminum components, black baffle.
Lens: IK05 impact compliant, clear anti-glare tempered glass
Vibration Resistance: Compliant with 1.5G ANSI C136.31, Seismic rated AC-156
Weight: 8-12 lbs (Depending on Length)
Operating Temperature: -22°F to 122°F (-30°C to 50°C)

ELECTRICAL

Voltage: Universal 120–277V AC standard, 347V optional
Power Supply: Integral Class II, electronic high-power factor >.90, THD < 20%, FCC Title 47 Part 15 Class A. EldoLED & Lutron optional.
Power Consumption: Up to 98W
Dimming: standard: 0-10V Dimming, 1% | optional: ET, LD, XA, E1, E2
Certification: CEC Title 24 - JA8 Compliant (93 CRI Only)
Standards: cETLus Listed, CE, NOM, and RoHS Compliant, tested to UL 1598 and UL 8750 standards / UL-Class I / IES LM-79 / LM-80 / FCC Part 15

PHYSICAL DIMENSIONS



Due to continuous development and improvements, specifications are subject to change without notice. Solid State Luminaires reserves the right to change lab test details or specifications without notice. Product use certifies agreement to Solid State Luminaires terms and conditions. **All stated specifications have a tolerance of +/- 7%.

Date: _____
 Type: _____
 Fixture: _____
 Project: _____

Approved: _____

SSC10 Standard or Premium Drivers and Optional Integral Battery Backup

PRODUCT CODE

EXAMPLE: SSC10-15-SPM18-UNV-930-10L-BKI-25-ET

MODEL	HEIGHT	MOUNTING	SUSP. LENGTH	VOLTAGE	COLOR	LUMENS	FINISH	OPTIC	DIMMING	OPTIONS	BATTERY
SSC10											

MODEL

SSC10

HEIGHT

- 15 15" Height
- 17 17" Height
- 20 20" Height

MOUNTING

- AC Aircraft Cable
- SF Surface Mount
- SPM Pendant Mount
- Y Yoke

AC/SPM LENGTH

Specify the optional suspension length in inches. (Top of fixture to ceiling) (AC & CM 4"-120" Max, Field Adjustable) (SPM 18" Standard, 4"-120" Max; 61"-120" w/LD & ET Only and stem comes in 2 sections) *Consult factory & price guide for other lengths.

VOLTAGE

- UNV Universal 120-277 Volt AC
- 347V 347 Volt AC (Only SF, SPM) (0-10V LD Dim Only)

COLOR

- 927 (93CRI) 2700K
- 930 (93CRI) 3000K
- 935 (93CRI) 3500K
- 940 (93CRI) 4000K
- 950 (93CRI) 5000K
- 830 (93CRI) 3000K (95L-110L Only)
- 840 (93CRI) 4000K (95L-110L Only)

LUMENS nominal

- 30L 3000 lm (93 CRI Standard)
- 35L 3500 lm (93 CRI Standard)
- 40L 4000 lm (93 CRI Standard)
- 45L 4500 lm (93 CRI Standard)
- 50L 5000 lm (93 CRI Standard)
- 55L 5500 lm (93 CRI Standard)
- 60L 6000 lm (93 CRI Standard)
- 65L 6500 lm (93 CRI Standard)
- 70L 7000 lm (93 CRI Standard)
- 75L 7500 lm (93 CRI Standard)
- 80L 8000 lm (93 CRI Standard)
- 85L 8500 lm (93 CRI Standard)
- 90L 9000 lm (93 CRI Standard)
- 95L 9500 lm (83 CRI Only)
- 100L 10000 lm (Min 20" H) (83 CRI Only)
- 105L 10500 lm (Min 20" H) (83 CRI Only)
- 110L 11000 lm (Min 20" H) (83 CRI Only)

FINISH

- BKI Black (AAMA 2603)
- BRI Bronze (AAMA 2603)
- SLI Silver (AAMA 2603)
- WHI White (AAMA 2603)
- CCI Custom Color (AAMA 2603)

OPTIC nominal w/SOFT FIELD

- | | |
|-----------------------|-------------------------------|
| 25 Spot (15°) | 25S Spot |
| 35 Narrow Flood (35°) | 35S Narrow Flood |
| 50 Mid Flood (50°) | 50S Mid Flood |
| 60 Flood (60°) | 60S Flood |
| 72 Wide Flood (72°) | 72S Wide Flood |
| | WW Wall Wash (25° Optic Only) |

DIMMING

- ET ELV or TRIAC Driver (Only 5L-45L)
- LD LED Dimming 0-1V, 1%
- XA DMX Dim to 0.1% (10L-50L)
- E1 eldoLED 0-10V, Dim to 0.1% (Only 30L-50L)
- E2 eldoLED DALI-2 Dim to 0.1% (Only 30L-50L)

OPTIONS

- CO Surface Mount Conduit Adapter

BATTERY

- BBU Battery Backup, Integral (w/UNV Only)
- N/A (Leave blank if No Battery Backup Needed)

SSC10 Standard or Premium Drivers and Optional Integral Battery Backup

LUMENS

LUMENS	WATTAGE
3000	30
3500	35
4000	43
4500	47
5000	52
5500	55
6000	60
6500	65
7000	69
7500	78
8000	83
8500	86
9000	90
9500	98
10000	86
10500	90
11000	98

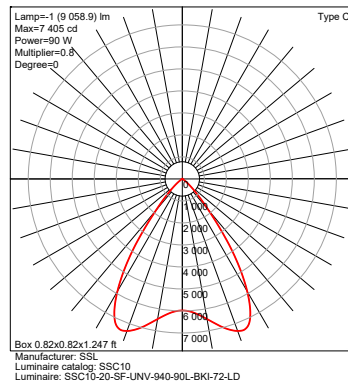
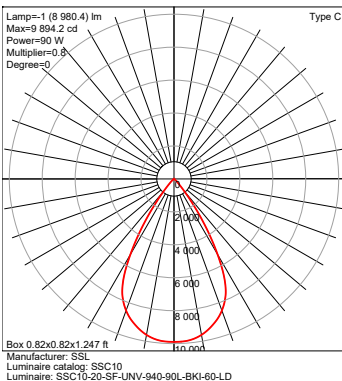
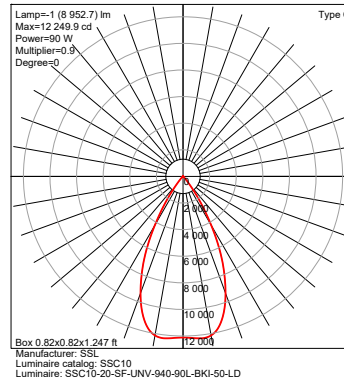
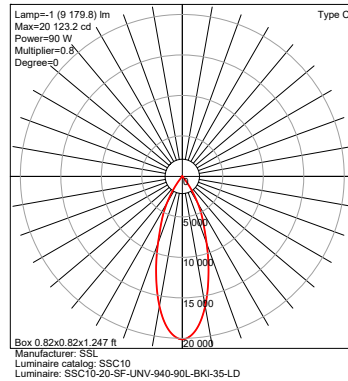
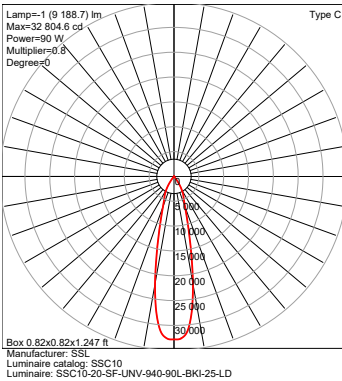
CCT/CRI	MULTI
927	0.89
930	0.95
935	0.99
940	1.00
950	1.01
*83CRI ≤1.15 Consult factory.	

LENS	MULTI
No Soft	1
Soft Field	0.93

TRIAC & ELV Approved Dimmer List	
Manufacturer	Manufacturer Part Number
Lutron	Glyder GLV-600
	Diva DVLV-600P
	Diva DV-600P
	Diva DVELV-600P(303)
	Maestro MALV-600
	Nova T NT-1000
	Nova T NTELV-600
Leviton	Skylark SLV-600P
	RadioRA2-10ND
	SureSlide 6633
	Illumatech IPE04

0-10V Approved Dimmer List	
Manufacturer	Manufacturer Part Number
Lutron	Diva DVSTV-XX
	Diva DVSTV-453PH-WH1
Leviton	Illumatech 010-IP710-DLZ

PHOTOMETRICS



Due to continuous development and improvements, specifications are subject to change without notice. Solid State Luminaires reserves the right to change lab test details or specifications without notice. Product use certifies agreement to Solid State Luminaires terms and conditions. **All stated specifications have a tolerance of +/- 7%.



US Commercial Lighting Manufacturer Since 1982

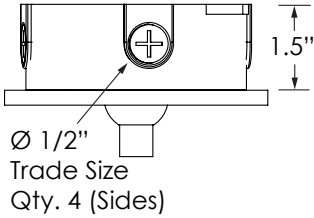
SSC10 Standard or Premium Drivers and Optional Integral Battery Backup

CO Option

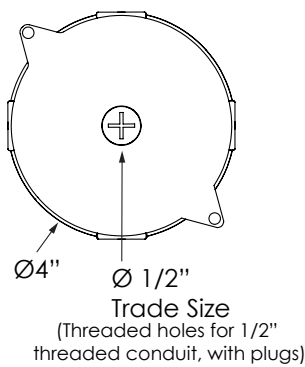
Surface Mount Conduit Adapter

For wall or ceiling installation.
NOT for use in upright pier mount.

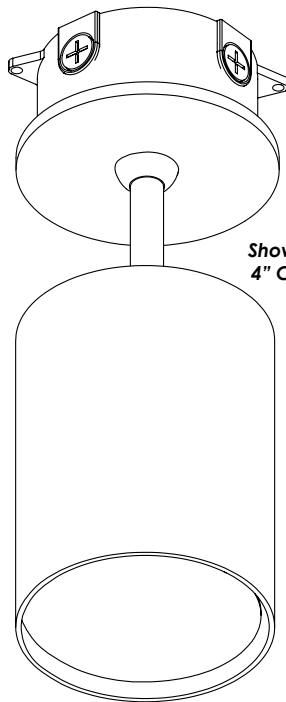
JUNCTION BOX



**TOP VIEW
JUNCTION BOX
(Hole Center Top)**

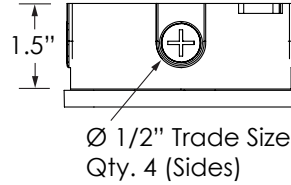


**SURFACE MOUNT
CONDUIT ADAPTER
(for SPM Cylinders)**

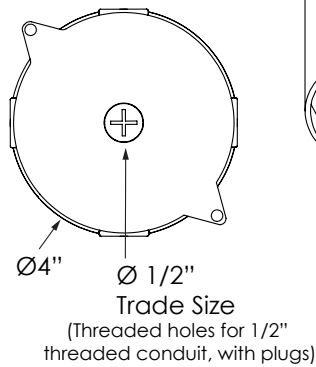


For wall or ceiling installation.
NOT for use in upright pier mount.

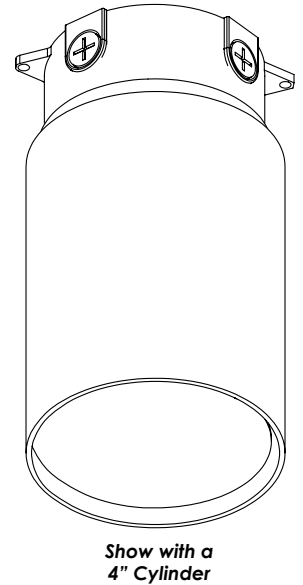
JUNCTION BOX



**TOP VIEW
JUNCTION BOX
(Hole Center Top)**

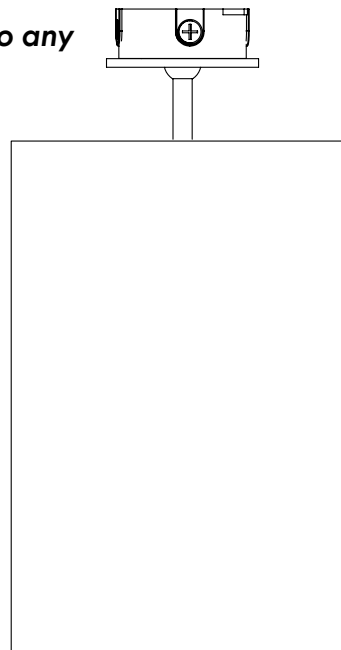


**SURFACE MOUNT
CONDUIT ADAPTER
(for AC, CM, SF Cylinders)**



**Surface Mount Conduit Adapter can be added to any
of the AC, CM, SF and SPM Mounts**

10" Cylinder
Slope Pendant
w/Surface Mount
Conduit Adapter



10" Cylinder
Surface Mount
w/Conduit Adapter

