

Date: _____

Type: _____

Fixture: _____

Project: _____

Approved: _____

SSC1.5s One and a Half Inch Slim-Line Round Cylinder

Architectural Indoor Cylinders



(SSC1.5s10.5-WHI-GB on left,
SSC1.5s10.5-WHI-GRC center,
SSC1.5s10.5-WHI-GRB on right)



FEATURES

- Up to 800 lumens (4000K)
- Seamless design
- Tri-Dim 0-10V 1% TRIAC & ELV (Standard)
- Multiple housing colors
- Optically clear, high impact optic
- 93 CRI with 2 SDCM
- Glow Ring, Adjustable Baffle and Mud Ring Adapter options

PERFORMANCE

Beam Spread: 18°, 24°, 36°
CCT Options: 2700K, 3000K, 3500K, 4000K
CRI: 93 CRI
Consistency: 2 SDCM (Luminaire to Luminaire)
Lumens: 800 lumens (nominal)
Lumen Maintenance: L70 >70,000 hours

PHYSICAL

Mounting: Cord mount with die cast aluminum twist-lock canopy mounts to standard Octagon J-Box or through drywall using optional mud ring adapter.

Housing: No visible seams or fasteners, marine grade, corrosion resistant, solid aluminum extrusion, high pressure die-cast aluminum components, machined gold or black adjustable baffle with optional glow rings.

Finish: Six stage chemical iron phosphate conversion pre-treatment. Polyester powder coat finish, 18 µm Min., 3,000 hour salt spray test (ASTM B117) AAMA 2603 specification.

Warranty: 5-Year limited warranty

Optic: Optically clear, anti-glare, high impact resistant plastic.

Ingress Protection: Dry or damp locations IP43 rated

Impact Resistance: IK08 Rated

Weight: 1-2 lbs (Depending on Length)

ELECTRICAL

Voltage: Universal 120 - 277 VAC

Power Supply: Integral Class II, electronic high-power factor >.90, THD < 20%, FCC Title 47 Part 15 Class A

Power Consumption: Maximum 13W

Dimming: Standard: Tri-Dim (0-10V 1% Dimming, TRIAC & ELV)

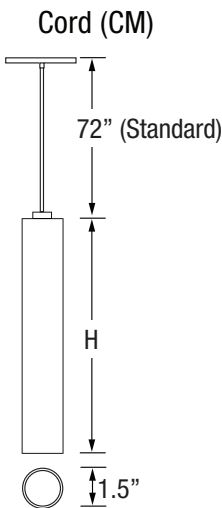
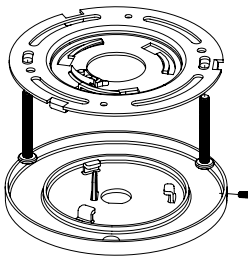
Standards:

- cETLus Listed, CE, NOM, and RoHS Compliant.
- Location listed for ceiling mount IP43 Ingress protection.
- IK08 (IEC6226) Impact resistance rated.
- IESNA LM79 Photometric testing by NVLAP accredited test lab.
- IESNA LM80 LED testing by NVLAP accredited test lab.
- IESNA TM21 Luminaire lumen depreciation projection to >70,000 hours.

PHYSICAL DIMENSIONS

Luminaire	Height
SSC1.5s-8.5	8.5"
SSC1.5s-10.5	10.5"

Twist-lock Canopy



Date: _____ Approved: _____
 Type: _____
 Fixture: _____
 Project: _____

SSC1.5s One and a Half Inch Slim-Line Round Cylinder

PRODUCT CODE

EXAMPLE: SSC1.5s-8.5-CM72-UNV-927-08L-BKI-18-TD-GRC

MODEL	HEIGHT	MOUNTING	SUSP. LENGTH	VOLTAGE	COLOR	LUMENS	FINISH	OPTIC	DIMMING	OPTIONS
SSC1.5s										

MODEL
SSC1.5s

HEIGHT
8.5 8.5"
10.5 10.5"

MOUNTING
CM Cord Mount (White Cord for White Cylinders, Black Cord for Black, Bronze & Silver Cylinders)

CM LENGTH
Specify the optional suspension length in inches. (Top of luminaire to ceiling) (72" Standard, CM 4"-120" Max, Adjustable to shorten) *Consult factory & price guide for other lengths.

VOLTAGE
UNV Universal 120 - 277 VAC

COLOR
927 (93CRI) 2700K
930 (93CRI) 3000K
935 (93CRI) 3500K
940 (93CRI) 4000K

LUMENS nominal
08L 800 lm @ 13W

FINISH
BKI Black
BRI Bronze
SLI Silver
WHI White
CCI Custom Color

OPTICS nominal
18 Spot (18°)
24 Narrow Flood (24°)
36 Flood (36°)

DIMMING
TD Tri-Dim (0-10V 1%, TRIAC & ELV) (Standard)

OPTIONS 1
GRC Glow Ring Clear
GRF Glow Ring Frosted
GRB Glow Ring Blue
GRA Glow Ring Amber
GRR Glow Ring Red
BB Black Baffle Trim (Standard) (Adjustable, Threaded)
GB Gold Baffle Trim (Adjustable, Threaded)

OPTIONS 2
HC Honeycomb Louver
MRA Mud Ring Adapter

SSC1.5s One and a Half Inch Slim-Line Round Cylinder

LUMENS / WATTAGE nominal

Model	Watts	Lumens
-------	-------	--------

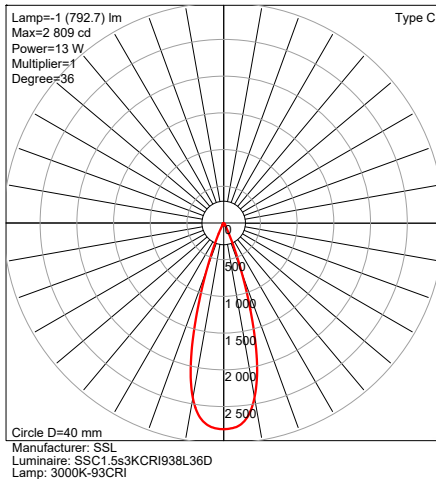
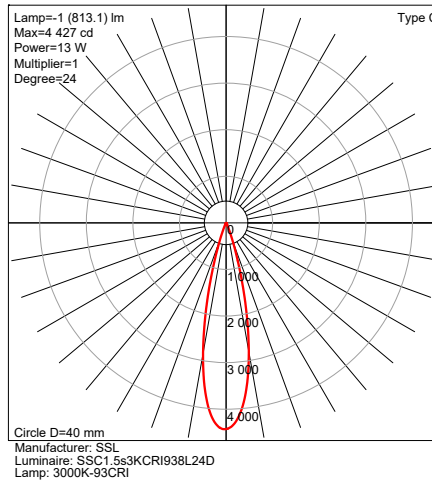
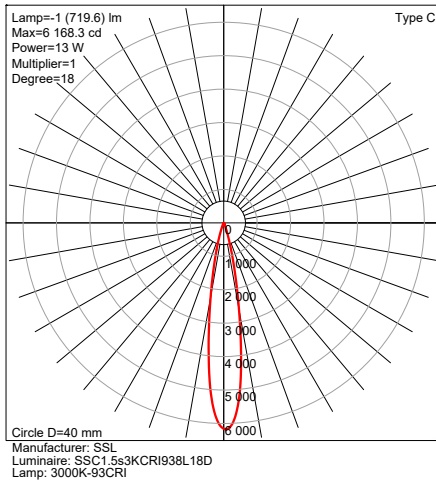
SSC1.5s	13W	800 lm
---------	-----	--------

IES Multiplier	
Color	Multiplier
927	0.94
930	1.00
935	1.05
940	1.09

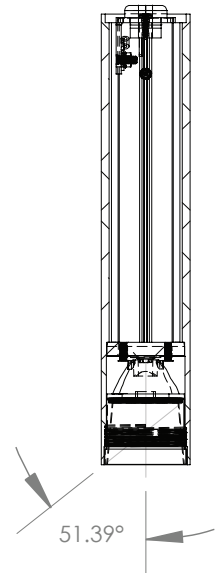
TRIAC & ELV Approved Dimmer List	
Manufacturer	Manufacturer Part Number
Lutron	Glyder GLV-600
	Diva DVLV-600P
	Diva DV-600P
	Diva DVELV-600P(303)
	Maestro MALV-600
	Nova T NT-1000
	Nova T NTELV-600
Leviton	RadioRA2-10ND
	SureSlide 6633
	Illumatech IPE04

0-10V Approved Dimmer List	
Manufacturer	Manufacturer Part Number
Lutron	Diva DVSTV-XX
	Diva DVSTV-453PH-WH1
Leviton	Illumatech 010-IP710-DLZ

PHOTOMETRICS



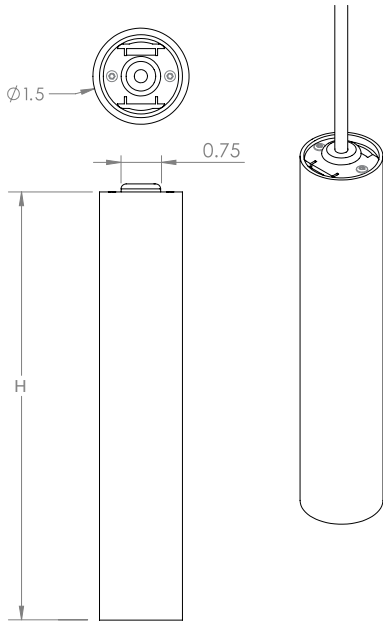
VISIBLE CUT OFF ANGLE



SSC1.5s One and a Half Inch Slim-Line Round Cylinder

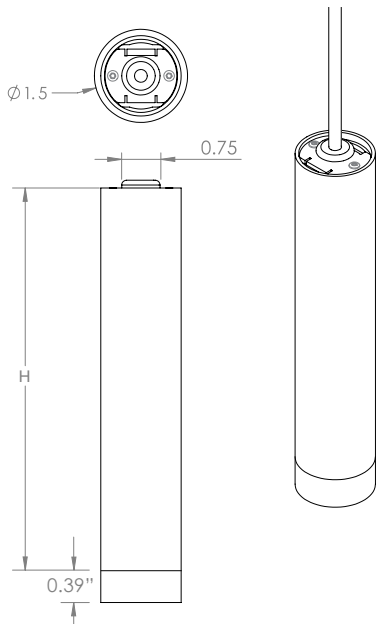
MOUNTING OPTIONS

CM - Cord Mount (White Cord for White Cylinders, Black Cord for Black, Bronze & Silver Cylinders)



OPTIONS

GR - Glow Ring



MRA - Mud Ring Adapter

