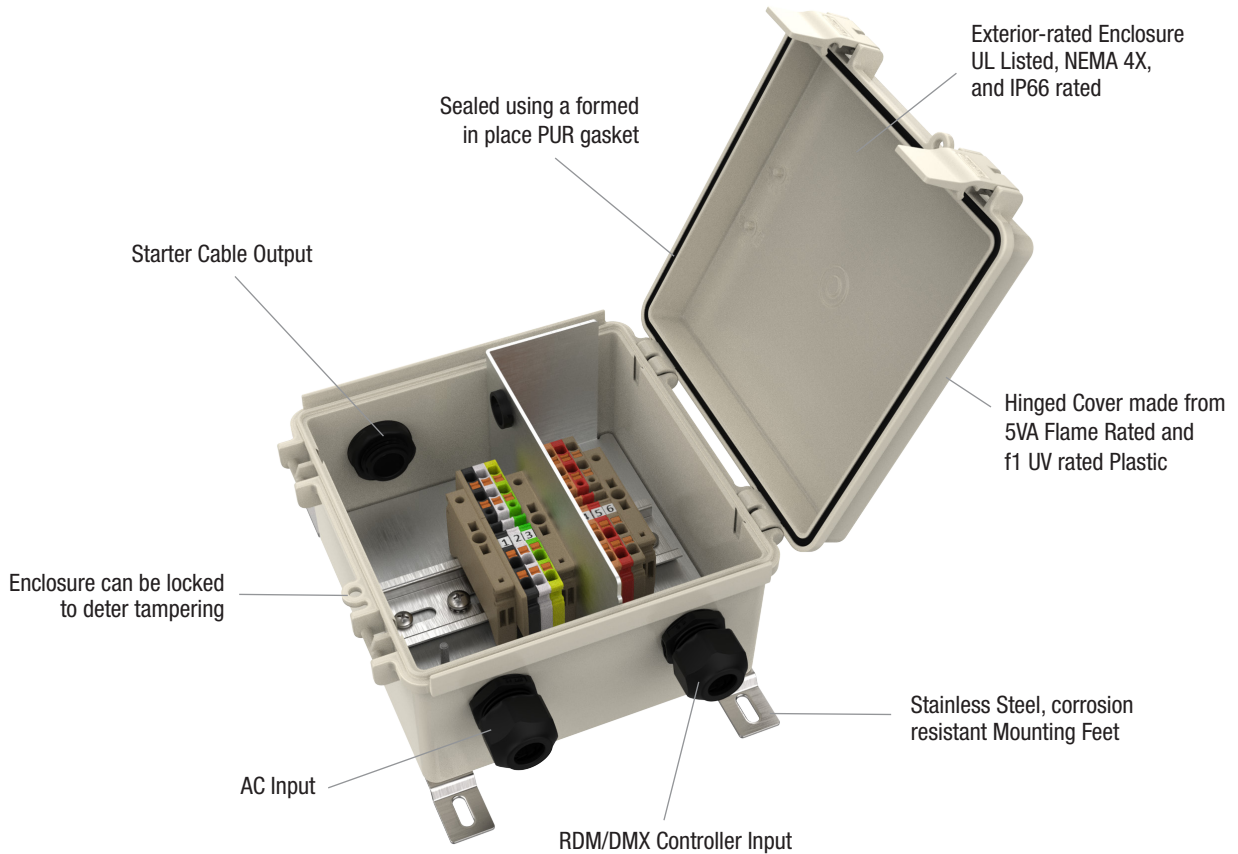


Date:	Approved:
Type:	
Fixture:	
Project:	

PDX2

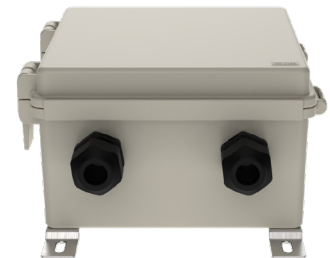
Power Data Wiring Box

The PDX2 is an exterior-rated enclosure that consolidates multiple input sources into one output to dynamic lighting products. Data input from the RDM/DMX Color controller and AC input combine to provide one output to a Starter Cord. One PDX box is required per each fixture run.



PDX2 Features

- E1.20 RDM and E1.11 DMX512A compliant
- AC circuit is isolated from low-voltage DMX wiring
- Terminal Block is colored and numbered to ease wiring
- ETL Listed Wet Locations IP66 Enclosure
- Universal 120V–277V



Due to continuous development and improvements, specifications are subject to change without notice. Solid State Luminaires reserves the right to change lab test details or specifications without notice. Product use certifies agreement to Solid State Luminaires terms and conditions.

Ordering Information

PART NUMBER

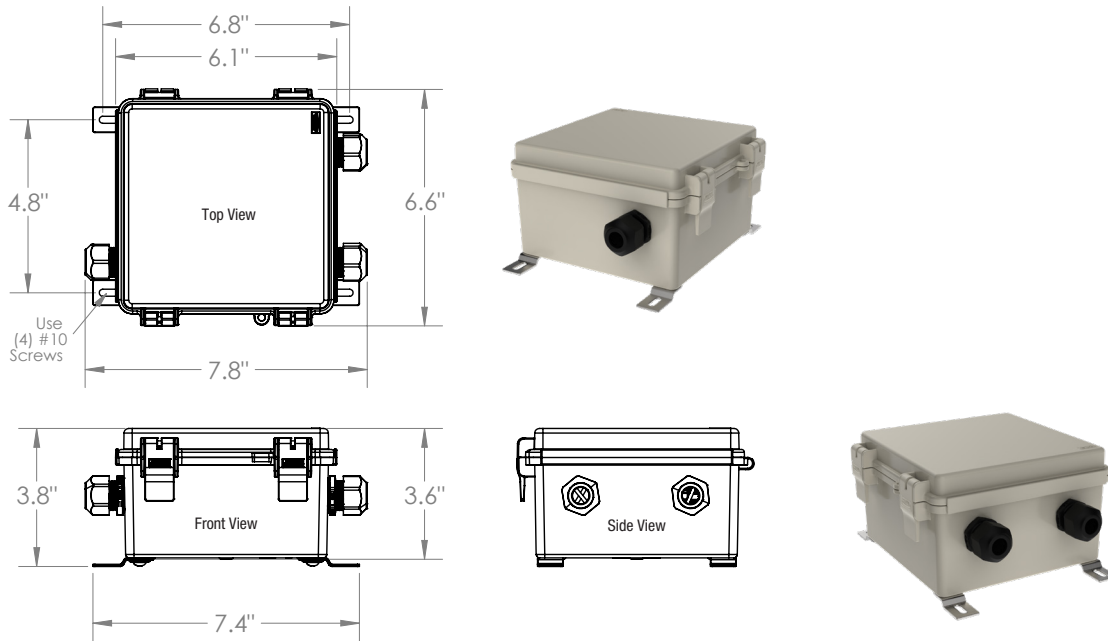
PDX2

MODEL

PDX2 Power Data Wiring Box

Dimensions

PDX2 - POWER DATA WIRING BOX



Fixture Types

Product Combinations include:

ColourLine

- ColourLine Cove (CLCV)
- ColourLine Graze (CLGR)
- ColourLine Wet (CLWET)
- SSF2100 Series RGBW Floods
(Uses 5-Pin Connectors)



- ColourLine LazerLine Wet (CLZWET)
- ColourLine Lazer (CLZF)
- ColourLine Lazer Micro Flood (CLZMF)
(Uses 6-Pin Connectors)

Due to continuous development and improvements, specifications are subject to change without notice. Solid State Luminaires reserves the right to change lab test details or specifications without notice. Product use certifies agreement to Solid State Luminaires terms and conditions.

US Commercial Lighting Manufacturer Since 1982

Specification Sheet