

PDX-S

*Power Data Wiring Box
with 2-Port DMX/
RDM Splitter*



Date:	Approved:
Type:	
Fixture:	
Project:	

The **PDX-S** is an exterior-rated enclosure with a hinged cover that latches and seals using a formed in place PUR gasket and a stainless steel latch. It consolidates multiple input sources into two outputs to the ColourLine series fixtures. Data input from the RDM Color controller and AC input combine to provide output to two Starter Cords or two DMX Outputs. Splitter is fully RDM compliant.

SPECIFICATIONS

PHYSICAL

housing	Impact-Resistant polycarbonate housing and mounting feet
dimensions	11.04"L x 9.04"W x 5.72"H
weight	Less than 5 lbs.
mounting	Four polycarbonate mounting feet, surface mount
impact rating	IK10
knockout size	5 NPT 1/2" Cable Glands, 1- 2/8" Cable Gland for AUX Ground

PERFORMANCE

options	AC Power Surge Protection (Incoming AC Only) Full Surge Protection (Incoming AC+Data and Outgoing)
operating temperature	-22°F to 158°F (-30°C to 70°C)
warranty	5-year limited warranty

ELECTRICAL

input voltage	Universal 120–277VAC
output	Two 5 or 6 Pin Starter Cables or Two DMX Outputs
certification	ETL / cETL
environment	IP66 dry, damp, wet location
DMX	E1.20 RDM and E1.11 DMX512A compliant

Due to continuous development and improvements, specifications are subject to change without notice. Solid State Luminaires reserves the right to change lab test details or specifications without notice. Product use certifies agreement to Solid State Luminaires terms and conditions.



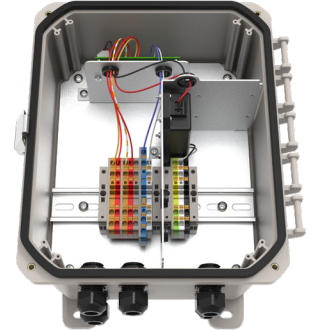
POWER DATA WIRING BOX – WITH 2-PORT SPLITTER

PART NUMBER

PDX-S	
--------------	--

MODEL

PDX-S Power Data Wiring Box with 2 Port DMX/RDM Splitter



POWER DATA WIRING BOX – WITH 2-PORT SPLITTER AND FRONT-END AC SURGE PROTECTION

PART NUMBER

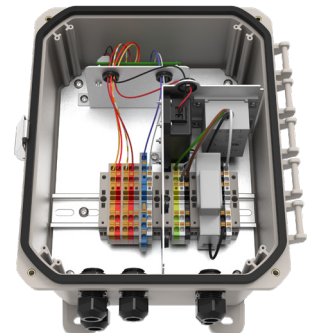
PDX-S	-ACP
--------------	-------------

MODEL PROTECTION

PDX-S Power Data Wiring Box

ACP AC Input Surge Protection*

*Protects all connected products on AC Input from 120-277VAC Surge spikes up to Extreme Category 20kV/10kA. Includes LED indicator and field replaceable for replacement and when fails it turns power off to all connected products preventing further damage. See page 3 for detailed breakdown.



POWER DATA WIRING BOX – WITH 2-PORT SPLITTER AND FULL (AC AND DATA) SURGE PROTECTION

PART NUMBER

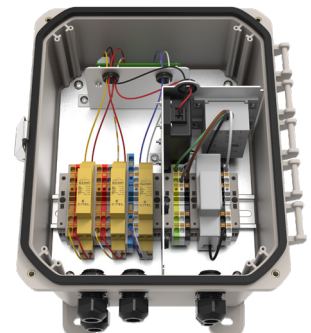
PDX-S	-FSP
--------------	-------------

MODEL PROTECTION

PDX-S Power Data Wiring Box

FSP AC Input Surge Protection and Data Surge Protection*

*Protects all connected products on AC Input and Data from 120-277VAC Surge spikes up to Extreme Category 20kV/10kA. Includes LED indicator and field replaceable for replacement and when fails it turns power off to all connected products preventing further damage. See page 3 for detailed breakdown.



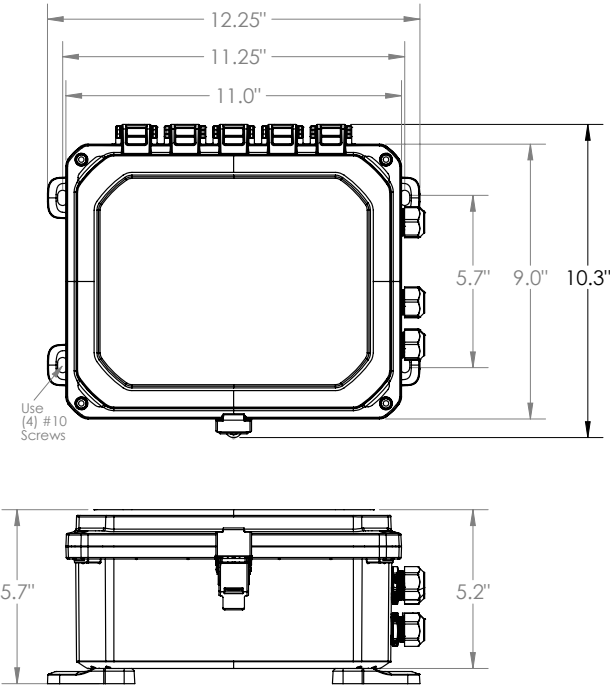
Due to continuous development and improvements, specifications are subject to change without notice. Solid State Luminaires reserves the right to change lab test details or specifications without notice. Product use certifies agreement to Solid State Luminaires terms and conditions.

US Commercial Lighting Manufacturer Since 1982

Specification Sheet



OVERALL DIMENTIONS



Fixture Types

Product Combinations include:

ColourLine

- ColourLine Cove (CLCV)
- ColourLine Graze (CLGR)
- ColourLine Wet (CLWET)
- SSF2100 Series RGBW Floods
(Uses 5-Pin Connectors)



- ColourLine LazerLine Wet (CLZWET)
- ColourLine Lazer (CLZF)
- ColourLine Lazer Micro Flood (CLZMF)
(Uses 6-Pin Connectors)

SURGE PROTECTION OPTIONS

PDX-S-ACP – FRONT AC PROTECTION

- Surge Protector
 - IMAX (8/20µs) – 22kA
 - IN (15 impulses 8/20µs) – 10kA
 - Built-in LED Indicator
 - Easily removed for replacement
 - UL1449 5th Ed. TYPE 4CA, Category VZCA2, VZCA8 (E326289)
- In-Line Fuse
 - Time Delay Fuse
 - 7A Rated
 - 10kA Interrupt Rating
 - 12 Second Responce Time
 - Voltage Rating – 500 VAC / 300 VDC
 - ULListed (E10480)
 - 10x38mm Midget Style Fuse

PDX-S-FSP – FULL SURGE PROTECTION

- Includes surge protector and in-line fuse options on the PDX-S-ACP (See left)
- Data-Protector
 - Protects both outputs as well as the controller input
 - UL Standard UL497B (E184939)
 - IN (10 impulses 8/20µs) – 10kA
 - IMAX (8/20µs) – 22kA
 - Limp (10/350µs) – 5kA

Due to continuous development and improvements, specifications are subject to change without notice. Solid State Luminaires reserves the right to change lab test details or specifications without notice. Product use certifies agreement to Solid State Luminaires terms and conditions.