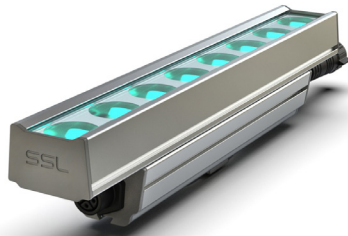


COLOURLINE LAZERLINE WET

Exterior RGBW fixture



Date:	Approved:
Type:	
Fixture:	
Project:	

ColourLine LazerLine Wet (CLZWET) is the newest part of our LazerLine Series, featuring our new high-performance ColourFULL technology, with superior optic long-casting grazer, wall wash, flood and spot flood capabilities in an IP66 exterior rated Linear form factor. ColourFULL fixtures provide maximum output at all times – with all colors, so your application receives the maximum color saturation. It's based on our ColourLine RGBW technology that utilizes advanced RDM-DMX protocols combined with a unique optical system to offer one of the most impressive long-throw RGBW lighting solutions in the market. Lazer is equipped with a Slim Form Factor with 90° Adjustable Bracket(s) Standard. Typical applications include large buildings, arenas, towers, monuments, bridges, tunnels, and more.

SPECIFICATIONS

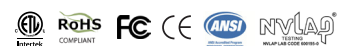
color temperature	RGBW
PHYSICAL	
beam spread	9° 30° 80° 10°x 30° 10°x 60° 15°x 25° 30°x 60° 50°x 80°
LEDs	8 - RGBW Quad LEDs per ft
weight	1.3lbs per ft
housing	Extruded aluminum housing with injection molded end caps
lens	IK08 impact compliant, Low iron tempered glass
mounting	Adjustable Bracket (90°), other options available
ingress protection	dry, damp or wet locations IP66 rated : connectors IP68 (waterproof)
vibration resistance	compliant with 3G ANSI C136.31 for bridge and roadway applications
fixture connections	daisy chain with male and female twist and lock 5-PIN, IP68 rated connectors

PERFORMANCE

lumen output [all on]	500 lm per foot (10W) MAX - All On
lumen maintenance	> 70,000 hours / L70 or better
operating temperature	-4°F to 104°F (-20°C to 40°C)
protocols	DMX 512, RDM (ANSI E1.20)
ColourFull (See pg. 4)	advanced programming allows for maximum output at all times, regardless of color
ColourQuick (See pg. 4)	provides uniform beam saturation instant color mix 0" from fixture surface
ColourClone (See pg. 4)	manufacturing process uses robotic systems to provide 1 SDCM like consistency between luminaires by calibrating every fixture to the same exact X, Y, chromaticity coordinates
ColourSoft (See pg. 4)	embedded firmware enables 16-bit resolution using only 8-bits of data to enhance the low trim curve for no-flicker at the slowest transition speeds
warranty	5-Year limited warranty (refer to website for details)

ELECTRICAL

input voltage	Universal 120–277V AC
power supply	Integral Class II, electronic high-power factor 99% @ 120V
controls	SSL ColourSelect 3rd party DMX 512, RDM standard based control system
certification	ETL / cETL, FCC Part 15 Class A
standards	UL-Class I
power consumption	10W /1ft @ 120V (40W /4ft @ 120V) ASHRAE, 5W /1ft @ 120V (20W @ 120V / 4ft)



Due to continuous development and improvements, specifications are subject to change without notice. Solid State Luminaires reserves the right to change lab test details or specifications without notice. Product use certifies agreement to Solid State Luminaires terms and conditions. All stated specifications have a tolerance of +/- 7%.

 US Commercial Lighting Manufacturer Since 1982

Specification Sheet

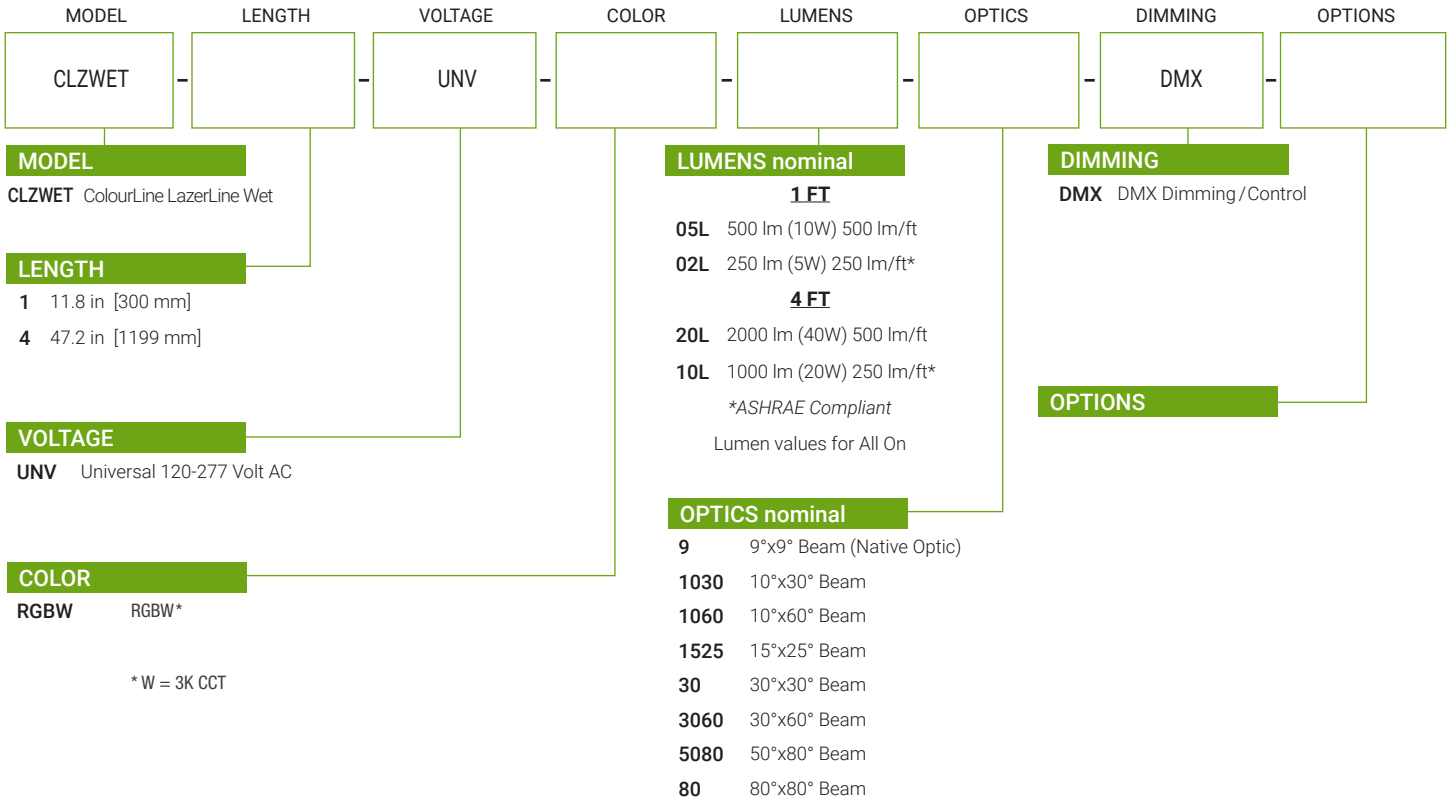
Date: _____
 Type: _____
 Fixture: _____
 Project: _____

Approved: _____

ColourLine LazerLine WET

PART NUMBERS

EXAMPLE: CLZWET-1-UNV-RGBW-05L-9-DMX-CLZWL-1



ACCESSORIES

(Order separately. Indicate the quantity needed for each item.) (See Page 7 for Maximum Run Lengths)
 REQUIRED: Starter Connection Cord (SC05/10/25/50LZWET) and Standard Terminator Cap (TCAPDCLZWET) for every run.
 NOTE: 10°x60°, 30°x60°, 50°x80° and 80°x80° optical options not recommended for louver options.

- | | | |
|--|--|---|
| _____ SC05LZWET 5 ft. Starter Connection Cord | _____ EC24LZWET 24 in. Extension Cord | _____ TCAPDCLZWET Data Terminator Cap (120 Ohm) |
| _____ SC10LZWET 10 ft. Starter Connection Cord | _____ EC60LZWET 60 in. Extension Cord | _____ DB25LZWET 25 ft. Data Bridge Cable |
| _____ SC25LZWET 25 ft. Starter Connection Cord | _____ EC120LZWET 10 ft. Extension Cord | _____ LCLZWL-1 LZWET Louver* |
| _____ SC50LZWET 50 ft. Starter Connection Cord | _____ EC240LZWET 20 ft. Extension Cord | _____ LCLZWHS-1 LZWET Louver w/ House Shield* |
- *One Louver per linear foot (Either LCLZWL-1 or LCLZWHS-1)
 Each CLZWET-1 requires 1 louver, Each CLZWET-4 requires 4 louvers

MOUNTING ACCESSORIES

(Order separately.) (ADBW3 Bracket(s) Included with Fixture.) (Requirements vary for each fixture ordered. See mounting pages for details.)

Fixture	CA3-X Requirement	_____ CA3-6 Cantilever Arm - 6"	_____ LS-6 Landscape Spike - 6"
1-foot	1	_____ CA3-12 Cantilever Arm - 12"	_____ HLS Heavy Duty Landscape Spike
4-foot	2	_____ CA3-18 Cantilever Arm - 18"	

Due to continuous development and improvements, specifications are subject to change without notice. Solid State Luminaires reserves the right to change lab test details or specifications without notice. Product use certifies agreement to Solid State Luminaires terms and conditions. All stated specifications have a tolerance of +/- 7%.

Controls & Dimensions



PART NUMBERS

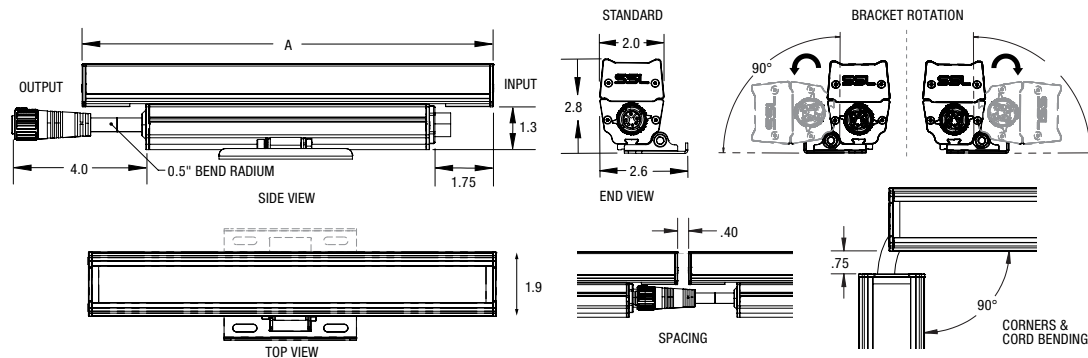
Control Components (Indicate the quantity needed for each item.)

- | | |
|--|--|
| _____ PHAROS TPS-5-B 5" Designer Touch Panel Station | _____ CSC-E ColourSelect Controller (2 universe) |
| _____ PHAROS XPC1 Expert Controller; 512 channels of eDMX/DMX | _____ DE3BK(WH) Nicolaudie STICK DE-3 Black or White Wall Mount Controller w/color dial |
| _____ PHAROS XPC2 Expert Controller; 1024 channels of eDMX/DMX | _____ CW4-WH Nicolaudie STICK White Touch Screen with Internal WiFi |
| _____ PHAROS XPT-5-B Expert Touch Panel; 5" Display in Black | _____ GA2WH(BK) Nicolaudie STICK-GA2 White or Black Wall Mount Controller |
| _____ PHAROS TPC-BB Touch Panel Controller - Black on Black (512 Channels EDMX) | _____ DXC-25 25 foot DMX cable |
| _____ PHAROS EXT Extension for TPC Connectivity | _____ DXC-50 50 foot DMX cable |
| _____ PHAROS LPC1 Lighting Playback Controller 1 (512 channels DMX/eDMX) | _____ DXC-100 100 foot DMX cable |
| _____ PHAROS LPC2 Lighting Playback Controller 2 (1,024 channels DMX/eDMX) | _____ CD-10 10 foot controller data cable (for CSC only) |
| _____ PDX Power Data Wiring Box (exterior rated) | _____ CD-25 25 foot controller data cable (for CSC only) |
| _____ PDX-S Power Data Wiring Box w/2-port splitter | _____ CD-50 50 foot controller data cable (for CSC only) |
| _____ PDX-RS4 Power Data Wiring Box w/4-port splitter | _____ CD-100 100 foot controller data cable (for CSC only) |
| _____ CL-RS4 4 Port RDM splitter w/120V power supply | _____ MV 5900 Multiverse Show Baby DMX Wireless Bridge (Indoor) |
| _____ SCSC-2WH (2BK) White or Black Wall Mount ColourSelect Controller (2 universe) | _____ 7400-5707M Show DMX Vero DMX Wireless Bridge (Exterior) |

Controller Data Cables/DMX Cables listed are exterior rated cables.
(Belden 3105A or equivalent) CD-XX cables have male XLR at one end.

DIMENSIONS WITH STANDARD BRACKET

A = fixture length 1' (12") or 4' (48")



Due to continuous development and improvements, specifications are subject to change without notice. Solid State Luminaires reserves the right to change lab test details or specifications without notice. Product use certifies agreement to Solid State Luminaires terms and conditions. All stated specifications have a tolerance of +/- 7%.

 US Commercial Lighting Manufacturer Since 1982

Specification Sheet

All These Features In A Single Fixture



ColourFull

FULL LUMEN COLOR CHANGING

- Full Power LED with any color transition
- Consistent rich color across the light spectrum
- Full output power with any color

ColourFull fixtures provide maximum output at all times – with all colors, so your application receives the maximum color saturation. Using a Custom Tooled Native Optic with a collimating color mixing chamber that mixes at the phosphor level enabling unique color combinations.



ColourQuick

RAPID-MIX COLOR

- Instantaneous Color Mixing – Within 1 inch
- Shortest Distance in Industry for Blending Colors
- 4-in-1 RGBW LED designed to SSL Specifications

ColourLine RGBW fixtures provide the quickest color mixing in the industry. The SSL ColourQuick technology enables our ColourLine Linear Indoor Cove and Graze, as well as, our Outdoor Floods to color-mix almost instantly, within one inch.



ColourClone

TRU-COLOR RGBW MATCHING

- Robotic Calibration of every fixture provides 1-Step consistency
- Every fixture has same X, Y color coordinates
- Perfect match for add-ons and replacements

As part of our manufacturing process, SSL Automated Manufacturing Robots calibrate every fixture to the exact same X,Y color coordinates to provide Step-1 like consistency. This process enables every fixture to be an exact clone. At the end of the process, a bar code is generated for every board. This allows for exact matching for job add-ons or warranty replacements.



ColourSoft

SMOOTH LOW-TRIM DIMMING

- Flicker-Free Color Transitions and Dimming
- 16-bit performance (65,536 steps) using *only 8-bit addressing*
- SSL Engineered Custom Software and Firmware

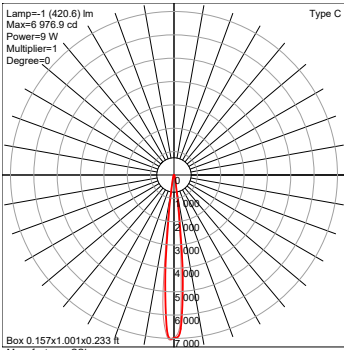
Standard dimming technology uses 8-bit resolution for 256 individual steps. Our 32-bit on-board MCU uses SSL developed software to provide 16-bit resolution that allows 65,536 steps of resolution and only use 8-bits of addressing space! We also use a logarithmic delineation of the resolution to concentrate in the lower third of the dimming curve so the low-end dimming and color transitions have zero flicker.

Scalable

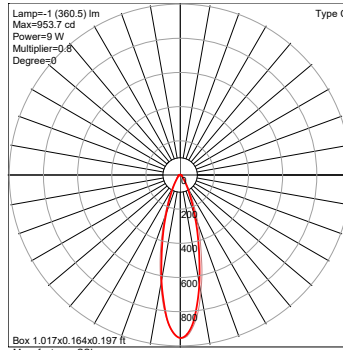
- Full DMX, RDM control capability with latest industry standards
- A wide variety of DMX protocol controls and system accessories
- SSL has many RGBW products utilizing the ColourLine Technology
- Multiple personality settings to enhance RGBW & Tuneable White
- Control 1000's of DMX channels with multiple universes & zones
- Powerful luminaires with super optics for long-throw applications
- SSL provides turnkey design and technical integration support

Due to continuous development and improvements, specifications are subject to change without notice. Solid State Luminaires reserves the right to change lab test details or specifications without notice. Product use certifies agreement to Solid State Luminaires terms and conditions. All stated specifications have a tolerance of +/- 7%.

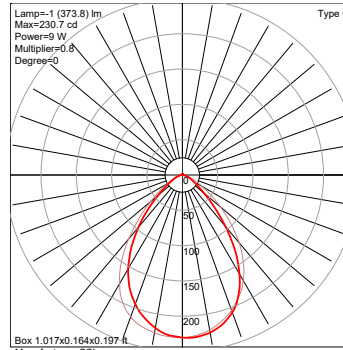
CLZWET 1FT / 4FT RGBW



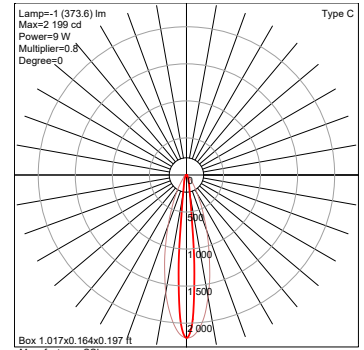
Manufacturer: SSL
Luminaire catalog: CLZWET
Luminaire: CLZWET-1-UNV-RGBW-05L-9-DMX (ALL ON)



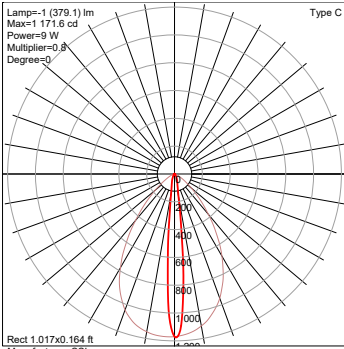
Manufacturer: SSL
Luminaire catalog: CLZWET
Luminaire: CLZWET-1-UNV-RGBW-05L-30-DMX (ALL ON)



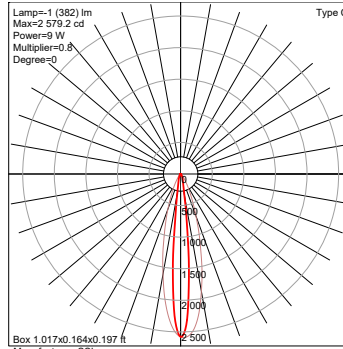
Manufacturer: SSL
Luminaire catalog: CLZWET
Luminaire: CLZWET-1-UNV-RGBW-05L-80-DMX (ALL ON)



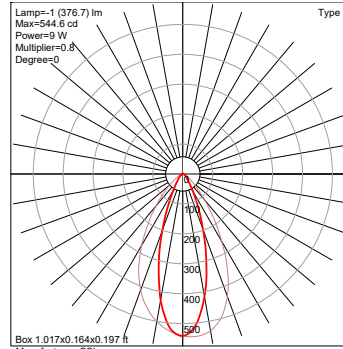
Manufacturer: SSL
Luminaire catalog: CLZWET
Luminaire: CLZWET-1-UNV-RGBW-05L-1030-DMX (ALL ON)



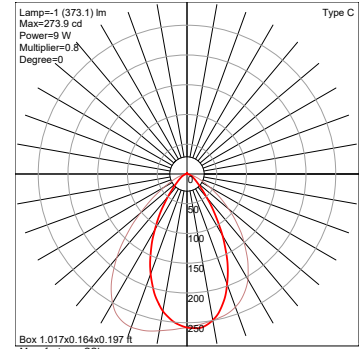
Manufacturer: SSL
Luminaire catalog: CLZWET
Luminaire: CLZWET-1-UNV-RGBW-05L-1060-DMX (ALL ON)



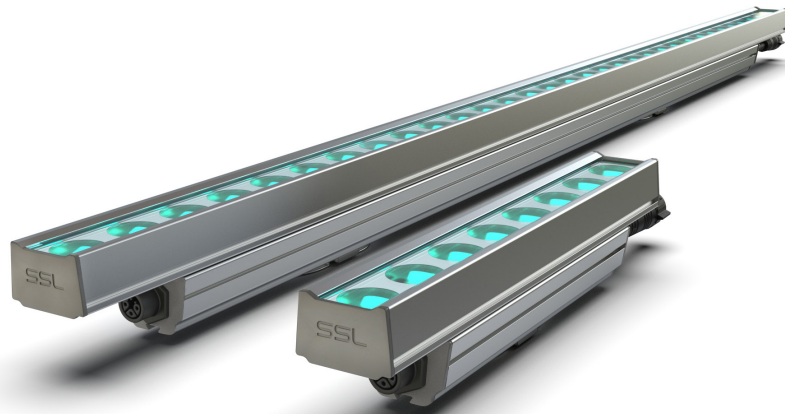
Manufacturer: SSL
Luminaire catalog: CLZWET
Luminaire: CLZWET-1-UNV-RGBW-05L-1525-DMX (ALL ON)



Manufacturer: SSL
Luminaire catalog: CLZWET
Luminaire: CLZWET-1-UNV-RGBW-05L-3060-DMX (ALL ON)



Manufacturer: SSL
Luminaire catalog: CLZWET
Luminaire: CLZWET-1-UNV-RGBW-05L-5080-DMX (ALL ON)

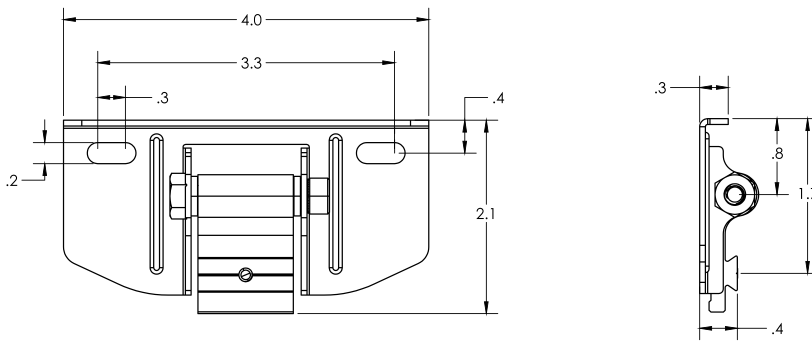


Due to continuous development and improvements, specifications are subject to change without notice. Solid State Luminaires reserves the right to change lab test details or specifications without notice. Product use certifies agreement to Solid State Luminaires terms and conditions. All stated specifications have a tolerance of +/- 7%.

 US Commercial Lighting Manufacturer Since 1982

Specification Sheet

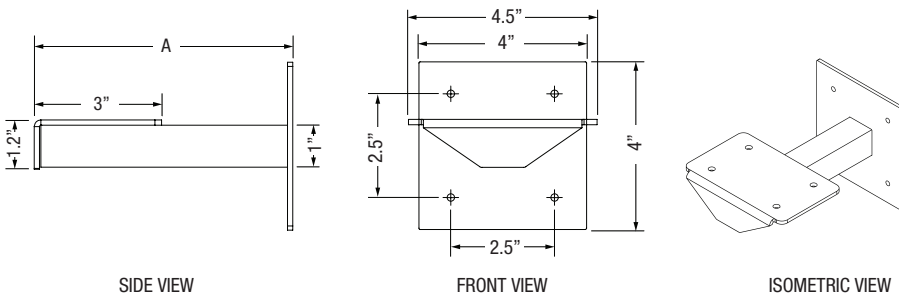
ADBW3 - 90° ADJUSTABLE BRACKET



CLZWET	ADBW3 Requirement
1'	1
4'	2

CANTILEVER ARM - CA2 (Available in 3 Lengths)

CA3	(A) Arm Length	Fixture	CA3 Requirement
CA3-6	6"	1-foot	1
CA3-12	12"	4-foot	2
CA3-18	18"		

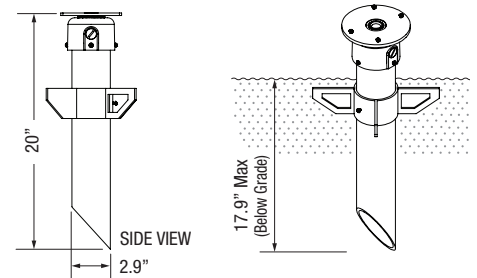


SIDE VIEW

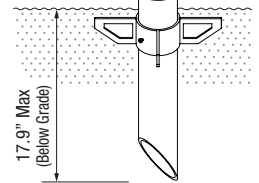
FRONT VIEW

ISOMETRIC VIEW

HEAVY DUTY LANDSCAPE SPIKE - HLS



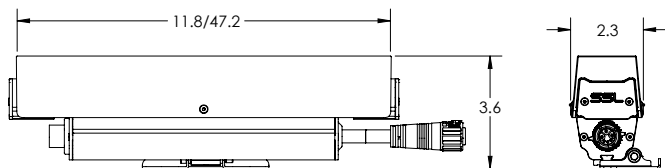
SIDE VIEW
20"
2.9"



17.9" Max
(Below Grade)

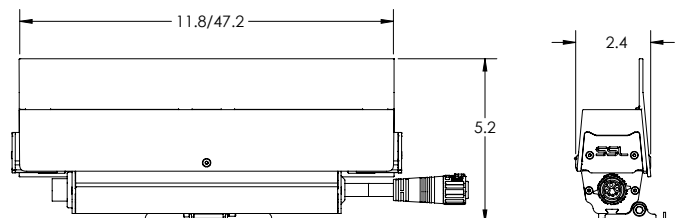
LOUVRE - LCLZWL-1

Fixture	Part #	Stacked Length
1FT	1x LCLZWL-1	11.8 in
4FT	4x LCLZWL-1	47.2 in



LOUVER HOUSE SHIELD - LCLZWHS-1

Fixture	Part #	Stacked Length
1FT	1x LCLZWHS-1	11.8 in
4FT	4x LCLZWHS-1	47.2 in

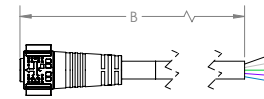
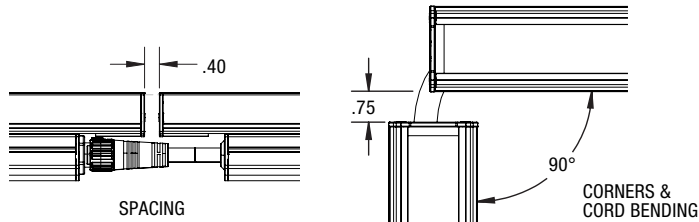


Due to continuous development and improvements, specifications are subject to change without notice. Solid State Luminaires reserves the right to change lab test details or specifications without notice. Product use certifies agreement to Solid State Luminaires terms and conditions. All stated specifications have a tolerance of +/- 7%.

CONNECTIONS & CABLES

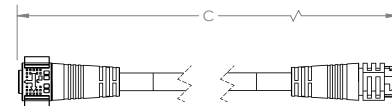
GAP BETWEEN CONNECTED FIXTURES

Luminaires connect closely together to ensure runs have an even linear light pattern.



STARTER CABLE

MODEL	B
SC05LZWET	5'
SC10LZWET	10'
SC25LZWET	25'
SC50LZWET	50'



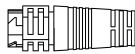
EXTENSION CABLE

MODEL	C
EC24LZWET	24"
EC60LZWET	60"
EC120LZWET	120"
EC240LZWET	240"

TERMINATOR CAP (TCAPDCLZWET)

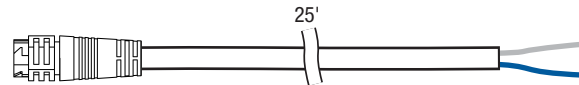
Required Terminator Cap is used at the end of each linear lighting run.

(contains 120 ohm resistor)



DATA BRIDGE CABLE (DBxxLZWET) *Coming Soon

Provides continuation of DMX Data only, from the end of one run to the PDX box of the next run. Fixture connection at one end and lead wires at the other.

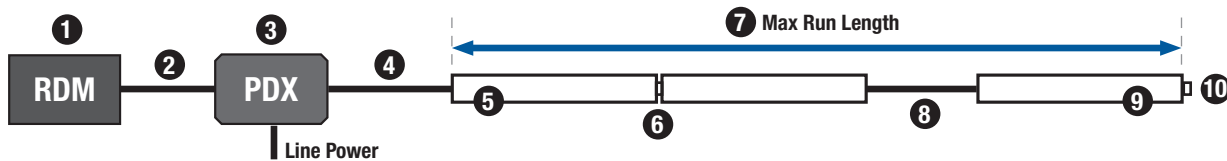


CLZWET - SINGLE SEGMENT CONFIGURATION EXAMPLE

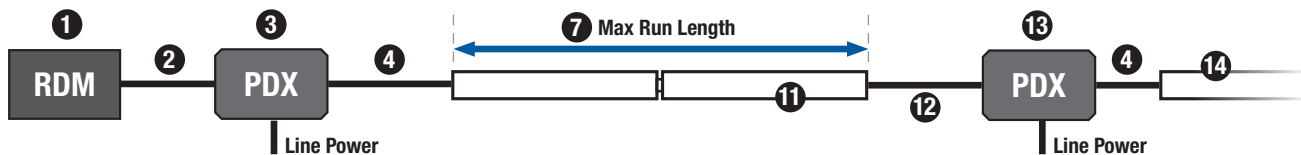
Max run length	120V	277V
5W/FT	160'	360'
10W/FT	80'	180'

Component Identification

- 1) RDM DMX Controller (see pg. 2)
- 2) DMX Data Cable **DXC-xx** or **CD-xx** (CSC only)
- 3) PDX Power Data Wiring Box
- 4) Starter Cord **SCxxLZWET**
- 5) First fixture begins Linear Run
- 6) Fixtures connect end to end
- 7) Distance from 1st to last fixture in Linear Run
- 8) Extension Cord **ECxxLZWET**
(Can add up to 50' more Extension Cord to Max Run Length)
- 9) Last fixture in the Linear Run
- 10) Terminator Cap **TCAPDCLZWET** (required at end of run)
- 11) Last fixture showing Data Bridge Cable Connection
- 12) Data Bridge Cable **DBxxLZWET** to continue DMX Data only
- 13) PDX Box to connect Data Bridge Cable
- 14) Continuation of controlled Fixture Run



Data Bridge Cable Connection

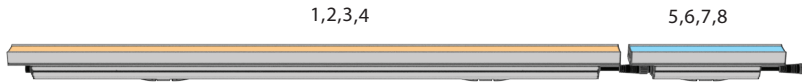


Due to continuous development and improvements, specifications are subject to change without notice. Solid State Luminaires reserves the right to change lab test details or specifications without notice. Product use certifies agreement to Solid State Luminaires terms and conditions. All stated specifications have a tolerance of +/- 7%.

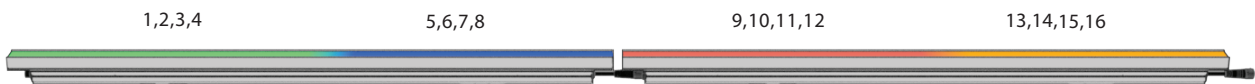
PERSONALITY - SET AT FACTORY FOR SPECIFIC CAPABILITIES

Consult factory when ordering to establish requirements for personality assignment and other addressing or feature programming to suit application specifics.

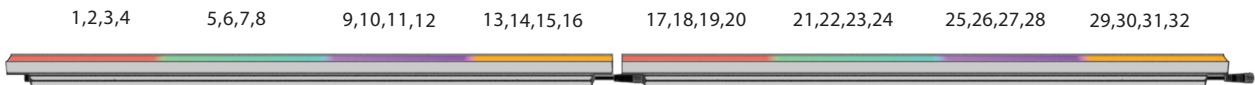
Personality 1 4 foot & 1 foot fixtures **configured 4 Channels per fixture** (R,G,B,W)



Personality 2 4 foot fixture (only) **configured in 2 foot increments** (4 Channels/2ft - R,G,B,W)



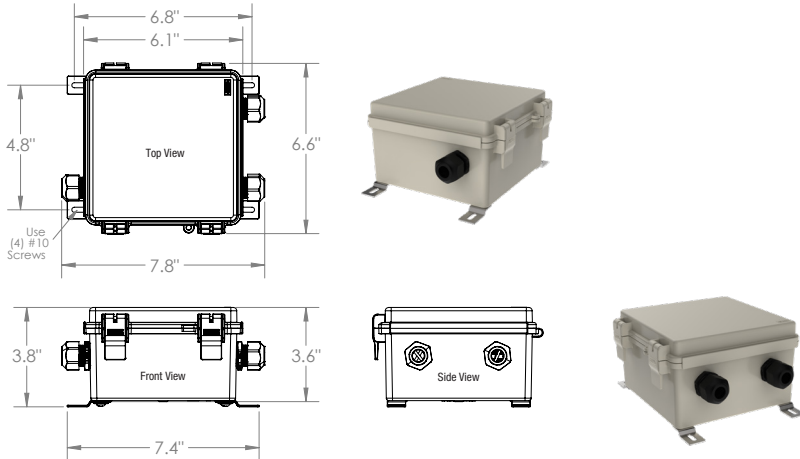
Personality 3 4 foot fixture (only) **configured in 1 foot increments** (4 Channels/1ft - R,G,B,W)



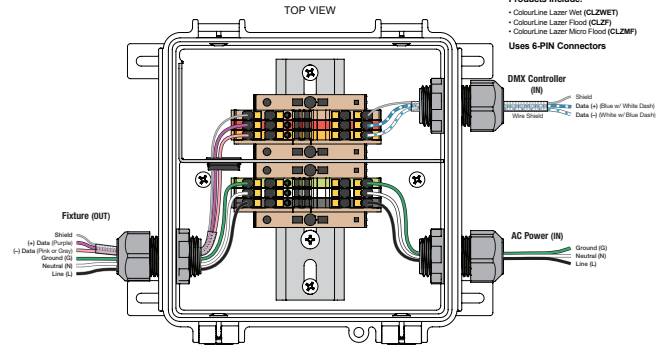
Due to continuous development and improvements, specifications are subject to change without notice. Solid State Luminaires reserves the right to change lab test details or specifications without notice. Product use certifies agreement to Solid State Luminaires terms and conditions. All stated specifications have a tolerance of +/- 7%.

PDX2 - POWER DATA WIRING BOX (ONE PDX2 REQUIRED PER RUN)

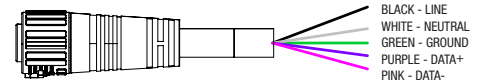
The PDX2 is an exterior-rated enclosure that consolidates multiple input sources into one output to the CLWET fixtures. Data input from the RDM Color controller and AC input combine to provide one output to a Starter Cord. One PDX2 box is required per each fixture run.



PDX2 Wiring for ColourLine Lazer Series

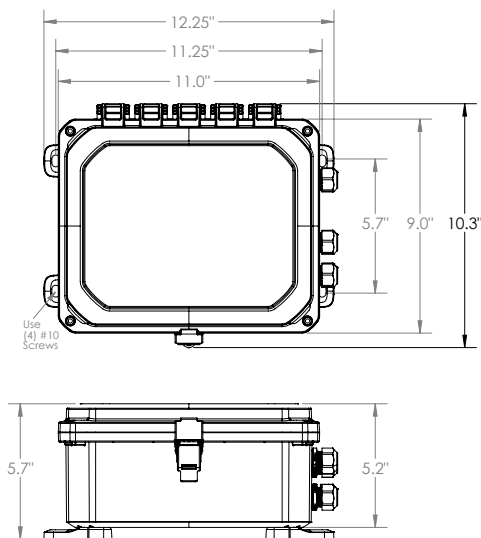


Starter Cable out to fixture



PDX-S - POWER DATA WIRING BOX - WITH 2-PORT SPLITTER

The PDX-S is an exterior-rated enclosure with a transparent, hinged cover that latches and seals using a formed in place PUR gasket and a stainless steel hinge pin. The PDX-S houses a DMX/RDM 2 port splitter/repeater that takes in one DMX input and provides two regenerated DMX outputs that can be any combination of starter cords or straight DMX outputs. The repeater allows you to daisy-chain PDX2 or PDX-S boxes by providing two maximum DMX run length outputs.



Connector Identification

- 1) AC Input (Line power)
- 2) DMX Data Cable **DXG-xx** or **GD-xx** (GSC only)
- 3) Starter Cord **SCxxLZWET** one
- 4) Starter Cord **SCxxLZWET** two
- 5) Auxiliary Ground



Due to continuous development and improvements, specifications are subject to change without notice. Solid State Luminaires reserves the right to change lab test details or specifications without notice. Product use certifies agreement to Solid State Luminaires terms and conditions. All stated specifications have a tolerance of +/- 7%.

DMX / RDM PROTOCOL CONTROLLERS



PHAROS TPC-BB - Pharos Touch Panel Controller - Black on Black finish

TPC Touch Panel Controller is an elegant lighting controller with a customizable 4.3" touch screen, 512 channels of eDMX output and flexible interfacing potential. The TPC must work in conjunction with the EXT or LPC. Pharos Backbox is available for mounting.



PHAROS EXT - Extension Device for TPC Connectivity

The Pharos EXT is an extension for the Pharos TPC for making the physical DMX or eDMX output connections. It also provides a PoE connection for the TPC. It's DIN rail mounted. This device supports electrical input of 120-240V AC power.



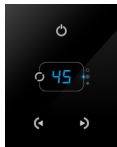
PHAROS LPC - Lighting Playback Controller

Pharos offers two playback controllers, LPC1 (512 channels DMX/eDMX) and LPC2 (1024 channels DMX/eDMX) Pharos LPC (Lighting Playback Controller) is a versatile control solution. The LPC family features individually controllable and independently running timelines and scenes, letting you build dynamic, precise, fully customizable lighting effects. The LPC can be ordered with 1 to 100 Universe capability. It requires a TPC or PC to interface and is powered via 9V to 48V DC or PoE (IEEE802.3af, Class 2), 4W typical.



DE3BK(WH) - Nicolaudie STICK-DE3 Black or White Wall Mount Controller with color dial

STICK DE3 provides an elegant solution to controlling your DMX fixtures. The glass, touch-sensitive panel can be used in multiple ways to select a programmed scene, change a color attribute or directly select a color from the color wheel. Scenes are displayed on the graphical color display. The DE3 provides 1024 DMX Channels with up to 500 scenes and 10 separate zones can be created and controlled separately. 120V AC is required for operation. The DE3 is programmed via Nicolaudie's ESA2 or ESA PRO software. Programs are stored on the internal MicroSD card.



CW4-WH - Nicolaudie STICK CW4 White Touch Screen with Internal WiFi CW4 touch controller provides 1024 channels of control. 36 scenes can be created in 1 zone. An internal access point provides remote control via any WiFi device using the Lightpad app from Nicolaudie.

GA2BK(WH) - Nicolaudie STICK-GA2 Black or White Wall Mount Controller

GA2 is an economical controller with glass, touch-sensitive screen for basic control of up to 99 scenes and 1 available zone. It can control 512 DMX Channels. An LED display makes it easy to determine which scene number is playing.



CSC-E - SSL ColourSelect Controller

ColourSelect Controller 2 Universe provides (1024 Channels) of output data capable of controlling 5 zones independently. CSC-E has two 3-pin female XLR connectors to connect to your DMX network and is defaulted in splitter mode, so two separate runs can be connected and controlled. It can store a total of 80 programmable presets. Additionally buttons control speed, dimming, scenes and static colors. The CSC can be powered via a PC USB port or with the PS-CSC external 120V AC power supply included.



SCSC-2WH (or 2BK) - SLIM White ColourSelect Controller Wall mount versions of the CSC-E, includes power supply.

Due to continuous development and improvements, specifications are subject to change without notice. Solid State Luminaires reserves the right to change lab test details or specifications without notice. Product use certifies agreement to Solid State Luminaires terms and conditions. All stated specifications have a tolerance of +/- 7%.