

## CYLINDERS (AC: Aircraft Cable Mount) INSTALLATION INSTRUCTIONS

CAUTION: BEFORE CONNECTING THE FIXTURE TO A POWER SUPPLY, MAKE SURE THE POWER IS SWITCHED OFF.



**SSL**  
solid state luminaires

t 800.900.1730  
3609 Swenson Ave.  
St. Charles, IL 60174

**NOTE:** Includes models; SSC4R12-ACR, SSC6R14-ACR, SSC8R16-ACR

### GENERAL:

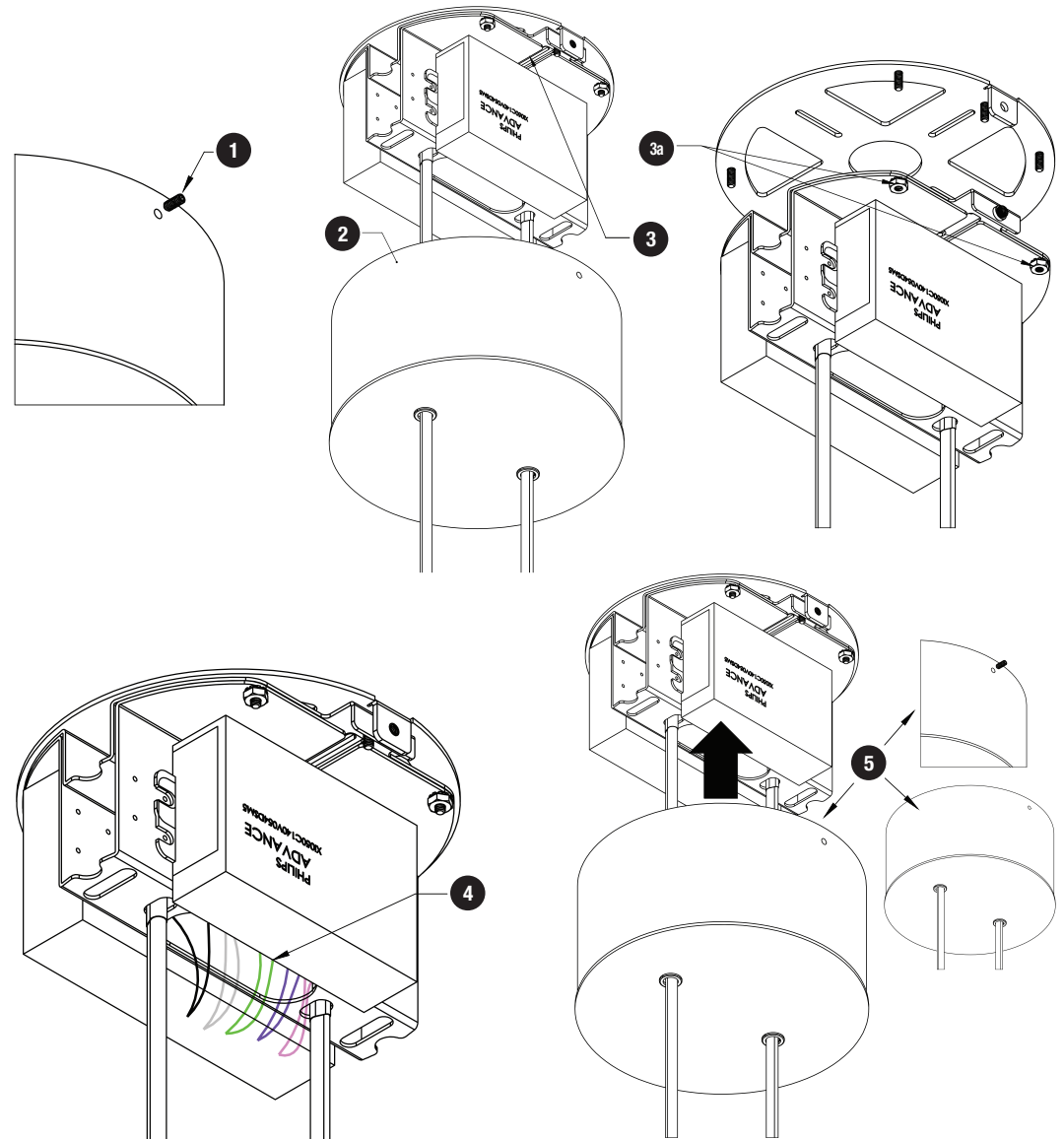
1. Fixture must be installed by licensed electrician.
2. All electrical connections must be in accordance with local codes, ordinances, or the National Electrical Code.
3. Before starting the installation, make sure all electricity has been turned off and electrical breaker has been locked out and tagged out.
4. To ensure the success of the installation, be sure to read these instructions and review the diagrams thoroughly before beginning.

**NOTE:** The important safeguards and instructions appearing in this manual are not meant to cover all possible conditions and situations that may occur.

### INSTALLATION INSTRUCTIONS:

- 1) Remove both Set Screws located at the top of the Canopy. Set aside for later.
- 2) Carefully slide Canopy cover down Power Cables.
- 3) Using slots cut into the Canopy, attach Canopy to J-Box.
- 3a) If necessary, additional mounting locations can be uncovered by removing the 4 nuts located along the perimeter of the canopy.
- 4) Connect the White, Black and Green wires to input power from Junction Box. Dimming leads will also need to be connected to controls. **Height adjustment of Aircraft Power Cable must be made at Canopy end ONLY.**  
\*Recommended tooling when cutting Aircraft Cabling:  
**GRIPLOK Potable Fuse Cutter**  
\*Tool can be purchased at:  
<https://griplocksystems.com/product/portable-fuse-cutter>
- 5) Slide Canopy back into original position, re-fasten both Set Screws back into place.

### DETAILED ILLUSTRATIONS



AG-DM-010423

## CYLINDERS (AC: Aircraft Cable Mount) INSTALLATION INSTRUCTIONS

CAUTION: BEFORE CONNECTING THE FIXTURE TO A POWER SUPPLY, MAKE SURE THE POWER IS SWITCHED OFF.

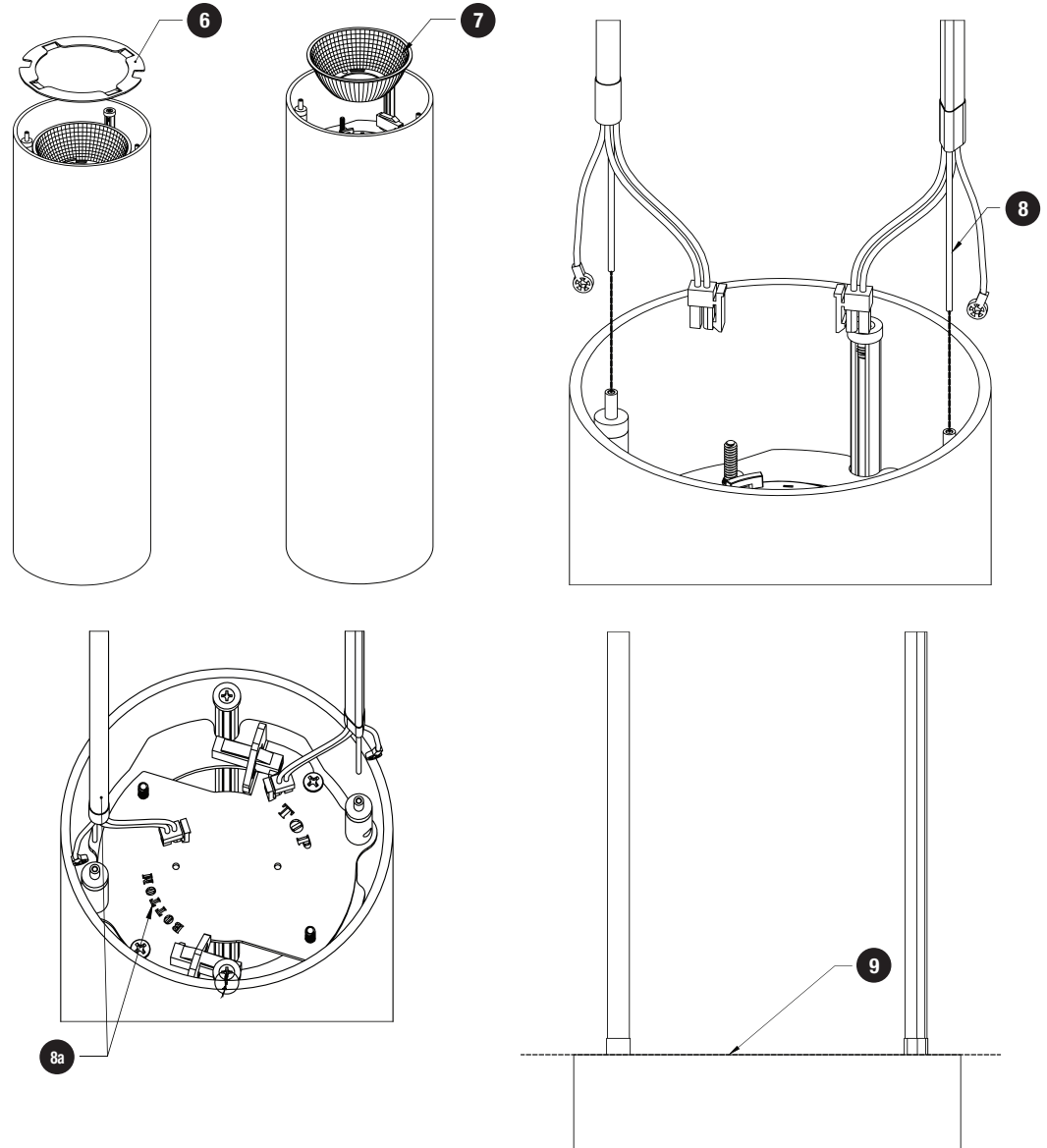


**NOTE:** Includes models; SSC4R12-ACR, SSC6R14-ACR, SSC8R16-ACR

### INSTALLATION INSTRUCTIONS:

- 6) Carefully remove the Lens Retainer from the top. It is magnetically attached.
- 7) Twist counter-clockwise to remove the Reflector.
- 8) Connect the Aircraft Cables to the "Grippers".
- 8a) Be sure to connect the bottom and top Cables with their respective, labelled "Gripper".
- 9) Adjust Aircraft Cable connections so that fixture is level.

### DETAILED ILLUSTRATIONS



## CYLINDERS (AC: Aircraft Cable Mount) INSTALLATION INSTRUCTIONS

CAUTION: BEFORE CONNECTING THE FIXTURE TO A POWER SUPPLY, MAKE SURE THE POWER IS SWITCHED OFF.



**SSL**  
solid state luminaires

t 800.900.1730  
3609 Swenson Ave.  
St. Charles, IL 60174

**NOTE:** Includes models; SSC4R12-ACR, SSC6R14-ACR, SSC8R16-ACR

### INSTALLATION INSTRUCTIONS:

- 10) Join easy-connect connectors to respective Cable.
- 11) Attach both Ground Terminals located on Cable to fixture with 6-32 nuts.
- 12) Twist clockwise to replace Reflector.
- 13) Re-Attach the top Lens Plate.

**NOTE:** LED lamping is integral and NOT intended for general servicing.

**IMPORTANT:** All FC|SSL products can be cleaned with non-abrasive and chemical free agents. Use a soft cloth with mild detergent on exterior only.

### DETAILED ILLUSTRATIONS

