

FCF1100/SSL2100 Series (Architectural Surface AS Mount) - INSTALLATION INSTRUCTIONS

CAUTION: BEFORE CONNECTING THE FIXTURE TO A POWER SUPPLY, MAKE SURE THE POWER IS SWITCHED OFF.

Includes: FCF1105, FCF1106, FCF1109, SSL2105, SSL2106 and SSL2109 only.

DETAILED ILLUSTRATION



SSLFC
solid state luminaires | OUTDOOR LIGHTING

corporate
t 800.900.1730
3609 Swenson Ave.
St. Charles, IL 60174

GENERAL:

1. Before starting the installation, make sure all electricity has been turned off and electrical breaker has been locked out and tagged out.
2. To ensure the success of the installation, be sure to read these instructions and review the diagrams thoroughly before beginning.
3. All electrical connections must be in accordance with local codes, ordinances, or the National Electrical Code.
4. This product must be installed in accordance with national and local electrical and construction codes by a person familiar with the construction and operation of the product and the hazards involved. Failure to comply with the following instructions may result in injury or death.

NOTE: The important safeguards and instructions appearing in this document are not meant to cover all possible conditions, equipment and situations that may occur.

WARNING:

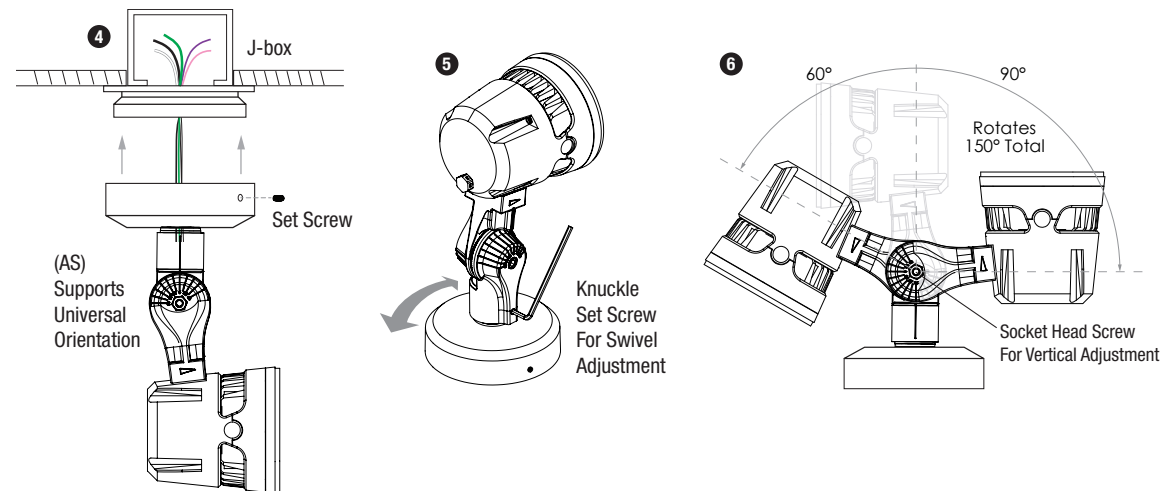
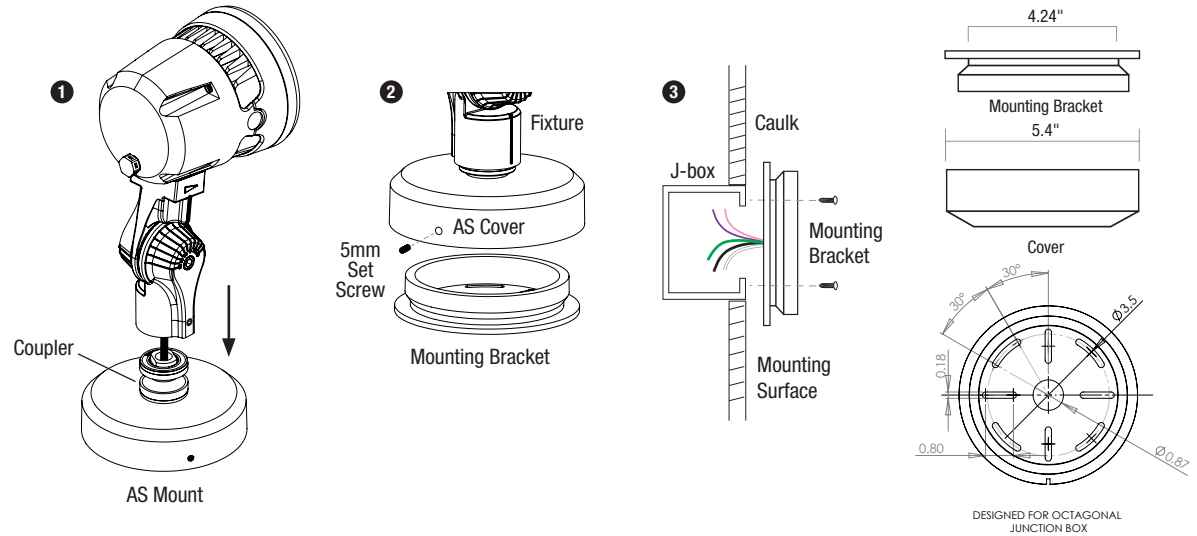
- Disconnect power to avoid electrical shock.
- Do not exceed fixture specified voltage.
- Do not use if any parts are damaged.
- Unauthorized field repair will void warranty.
- Retain all gaskets and hardware for reuse.

NOTE: LEDs are integral and NOT intended for general servicing.

INSTALLATION INSTRUCTIONS:

- 1) The Coupler and AS Mount ship assembled. Attach the Fixture to the Coupler if it is not already. **Fig 1**
- 2) Remove Mounting Bracket by loosening (2) 3/32" Hex drive 5mm Set Screws. **Fig 2**
- 3) Then attach the Mounting Bracket to a recessed octagonal J-box. **Fig 3**
- 4) Complete the wiring connections from the Fixture to the Lead Wires at the J-box using Silicone Wire Nuts (by others) and following NEC and local codes. Black (Line), White (Neutral), Green (Ground), 0-10V Dimming option: Violet (+) dimming, Pink (-) dimming.
- 5) Re-attach AS Cover and Fixture to Mounting Bracket with (2) 3/32" Hex drive 5mm Set Screws and torque each to 8 lbf-in (0.7 lbf-ft) [0.9 N-m]. **Fig 4**
- 6) Set the Swivel Adjustment (side to side) to desired position and lock in place using a 5/32" hex key, Max Torque 70 lbf-in (4.2 lbf-ft) [5.7 N-m]. **Fig 5**
- 7) Set the Vertical Adjustment using a 1/4" Hex Key on the Knuckle Assembly. Then retighten Set Screw, Max Torque 80 lbf-in (5.9 lbf-ft) [7.9 N-m]. **Fig 6**
- 8) Apply power to fixture and test for proper operation.
- 9) Caulk around Architectural Surface Mount Cover.

Note: These instructions do not cover all details or variations in equipment nor do they provide for every possible situation during installation.



RG-DM-080423

FCF1100/SSL2100 Series (J-box JB Mount) - INSTALLATION INSTRUCTIONS

CAUTION: BEFORE CONNECTING THE FIXTURE TO A POWER SUPPLY, MAKE SURE THE POWER IS SWITCHED OFF.



Includes: FCF1105, FCF1106, FCF1109, SSL2105, SSL2106 and SSL2109 only.

DETAILED ILLUSTRATION

GENERAL:

1. Before starting the installation, make sure all electricity has been turned off and electrical breaker has been locked out and tagged out.
2. To ensure the success of the installation, be sure to read these instructions and review the diagrams thoroughly before beginning.
3. All electrical connections must be in accordance with local codes, ordinances, or the National Electrical Code.
4. This product must be installed in accordance with national and local electrical and construction codes by a person familiar with the construction and operation of the product and the hazards involved. Failure to comply with the following instructions may result in injury or death.

NOTE: The important safeguards and instructions appearing in this document are not meant to cover all possible conditions, equipment and situations that may occur.

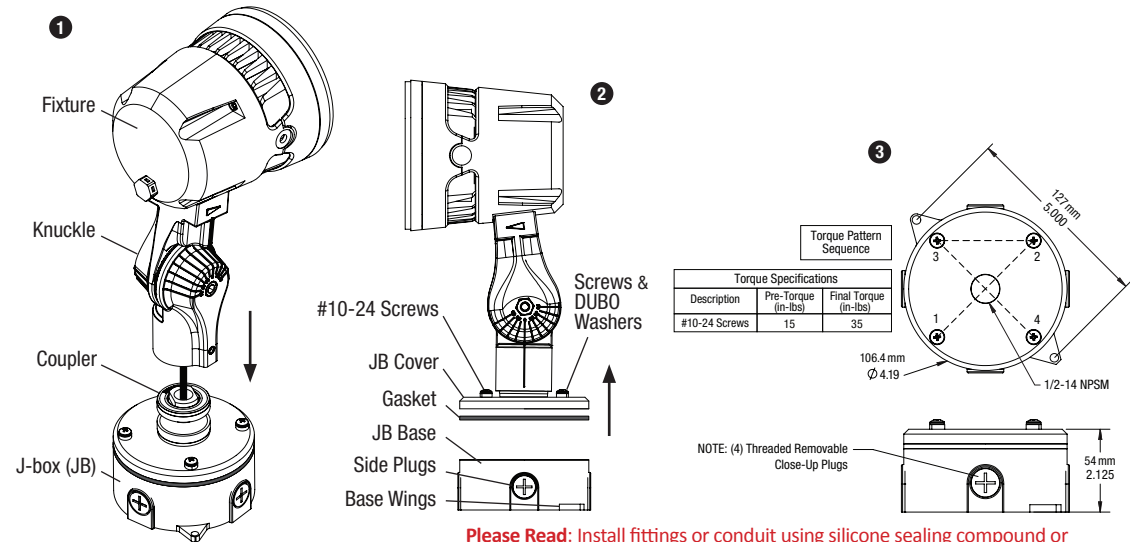
WARNING:

- Disconnect power to avoid electrical shock.
- Do not exceed fixture specified voltage.
- Do not use if any parts are damaged.
- Unauthorized field repair will void warranty.
- Retain all gaskets and hardware for reuse.

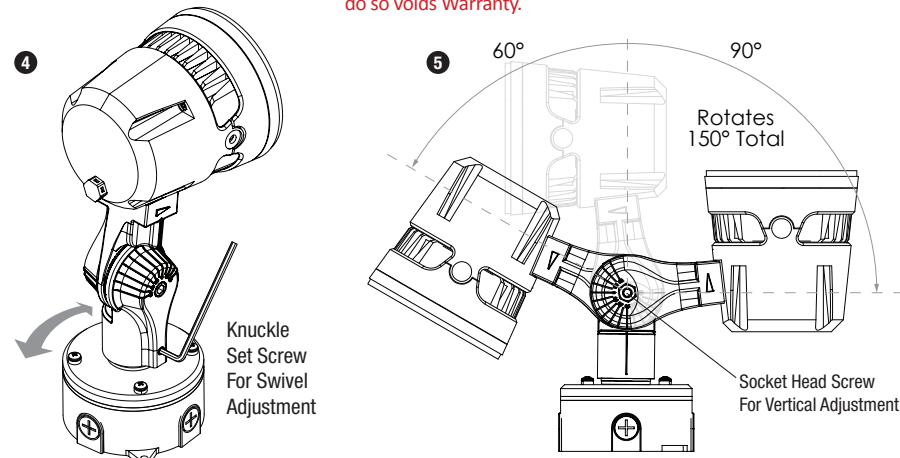
NOTE: LEDs are integral and NOT intended for general servicing.

INSTALLATION INSTRUCTIONS:

- 1) The Coupler and JB Mount ship assembled. Attach the Fixture to the Coupler if it is not already. **Fig 1**
- 2) Remove the J-box Cover from the Base by loosening the #10-24 Screws. J-box Cover is secured with Screws and DUBO Washers. **Fig 2**
- 3) Then attach the JB Base to the intended surface using the Base Wings. **Note:** Attach 1/2" conduit (by others) as needed by removing Side Plugs.
- 4) Make wire connections in the J-box. Black (Line), White (Neutral), Green (Ground), 0-10V Dimming option: Violet (+) dimming, Pink (-) dimming.
- 5) Reattach JB Cover (with Fixture) to JB Base with #10-24 Screws, using the Torque Pattern Sequence. **Fig 3**
- 6) Set the Swivel Adjustment (side to side) to desired position and lock in place using a 5/32" hex key, Max Torque 70 lbf-in (4.2 lbf-ft) [5.7 N-m]. **Fig 5**
- 7) Set the Vertical Adjustment using a 1/4" Hex Key on the Knuckle Assembly. Then retighten Set Screw, Max Torque 80 lbf-in (5.9 lbf-ft) [7.9 N-m]. **Fig 6**
- 8) Apply power to fixture and test for proper operation.



Please Read: Install fittings or conduit using silicone sealing compound or equivalent on threads and inside J-box to prevent water ingress. Failure to do so voids Warranty.



Note: These instructions do not cover all details or variations in equipment nor do they provide for every possible situation during installation.

FCF1100/SSL2100 Series (Architectural Surface with Base AS-BASE Mount) - INSTALLATION INSTRUCTIONS

CAUTION: BEFORE CONNECTING THE FIXTURE TO A POWER SUPPLY, MAKE SURE THE POWER IS SWITCHED OFF.



Includes: FCF1105, FCF1106, FCF1109, SSL2105, SSL2106 and SSL2109 only.

DETAILED ILLUSTRATION

GENERAL:

1. Before starting the installation, make sure all electricity has been turned off and electrical breaker has been locked out and tagged out.
2. To ensure the success of the installation, be sure to read these instructions and review the diagrams thoroughly before beginning.
3. All electrical connections must be in accordance with local codes, ordinances, or the National Electrical Code.
4. This product must be installed in accordance with national and local electrical and construction codes by a person familiar with the construction and operation of the product and the hazards involved. Failure to comply with the following instructions may result in injury or death.

NOTE: The important safeguards and instructions appearing in this document are not meant to cover all possible conditions, equipment and situations that may occur.

WARNING:

- Disconnect power to avoid electrical shock.
- Do not exceed fixture specified voltage.
- Do not use if any parts are damaged.
- Unauthorized field repair will void warranty.
- Retain all gaskets and hardware for reuse.

NOTE: LEDs are integral and NOT intended for general servicing.

INSTALLATION INSTRUCTIONS:

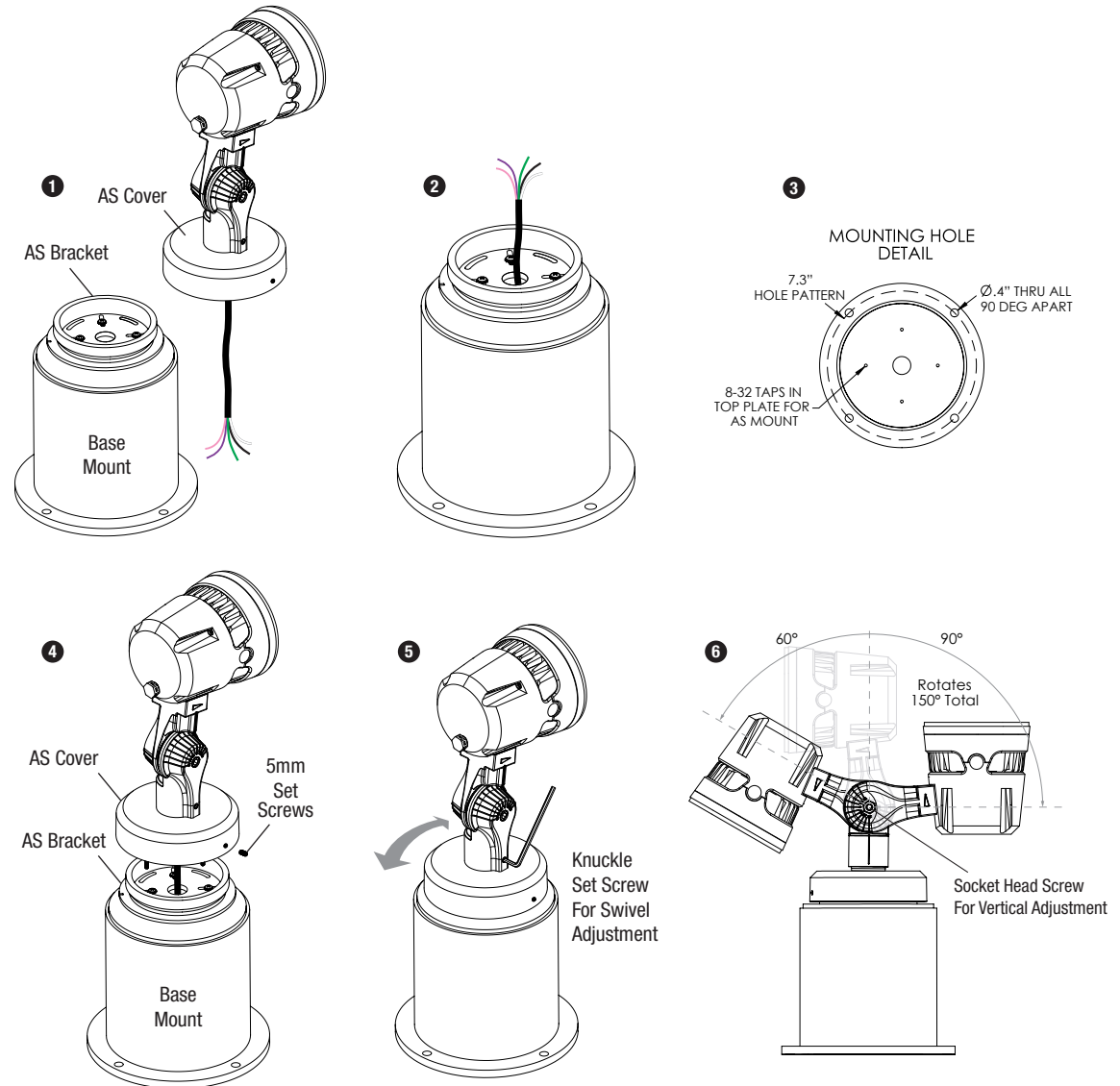
- 1) The coupler and AS Mount ship assembled. Attach the Fixture to the Coupler if it is not already attached.
- 2) The Fixture with the AS-Base Mount ships in two parts, the Fixture with the AS Cover and the AS Bracket with the Base Mount. **Fig 1**

- 3) Attach the Base Mount to its intended surface using appropriate bolts (by others), run power cable out the top center hole of the Base Mount. **Fig 2**

NOTE: Reference the Mounting Hole Detail for Bolt guidance. **Fig 3**

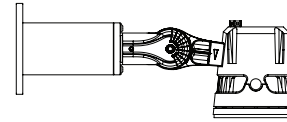
- 4) Complete the wiring connections from the Fixture to the Lead Wires using Silicone Wire Nuts (by others) and following NEC and local codes. Black (Line), White (Neutral), Green (Ground), 0-10V Dimming option: Violet (+) dimming, Pink (-) dimming.
- 5) Then attach the Fixture with AS Cover to the AS Bracket/Base Mount assembly with the (2) 3/32" Hex drive 5mm Set Screws and torque each to 8 lbf-in (0.7 lbf-ft) [0.9 N-m]. **Fig 4**
- 6) Set the Swivel Adjustment (side to side) to desired position and lock in place using a 5/32" hex key, Max Torque 70 lbf-in (4.2 lbf-ft) [5.7 N-m]. **Fig 5**
- 7) Set the Vertical Adjustment using a 1/4" Hex Key on the Knuckle Assembly. Then retighten Set Screw, Max Torque 80 lbf-in (5.9 lbf-ft) [7.9 N-m]. **Fig 6**
- 8) Apply power to fixture and test for proper operation.

Note: These instructions do not cover all details or variations in equipment nor do they provide for every possible situation during installation.



FCF1100/SSL2100 Series (Flood Extension Arm FEX Mount) - INSTALLATION INSTRUCTIONS

CAUTION: BEFORE CONNECTING THE FIXTURE TO A POWER SUPPLY, MAKE SURE THE POWER IS SWITCHED OFF.



Includes: FCF1105, FCF1106, FCF1109, SSL2105, SSL2106 and SSL2109 only. **DETAILED ILLUSTRATION**
*18" Extension Arm not available for FCF1109 and SSL2109.

GENERAL:

1. Before starting the installation, make sure all electricity has been turned off and electrical breaker has been locked out and tagged out.
2. To ensure the success of the installation, be sure to read these instructions and review the diagrams thoroughly before beginning.
3. All electrical connections must be in accordance with local codes, ordinances, or the National Electrical Code.
4. This product must be installed in accordance with national and local electrical and construction codes by a person familiar with the construction and operation of the product and the hazards involved. Failure to comply with the following instructions may result in injury or death.

NOTE: The important safeguards and instructions appearing in this document are not meant to cover all possible conditions, equipment and situations that may occur.

WARNING:

- Disconnect power to avoid electrical shock.
- Do not exceed fixture specified voltage.
- Do not use if any parts are damaged.
- Unauthorized field repair will void warranty.
- Retain all gaskets and hardware for reuse.

NOTE: LEDs are integral and NOT intended for general servicing.

INSTALLATION INSTRUCTIONS:

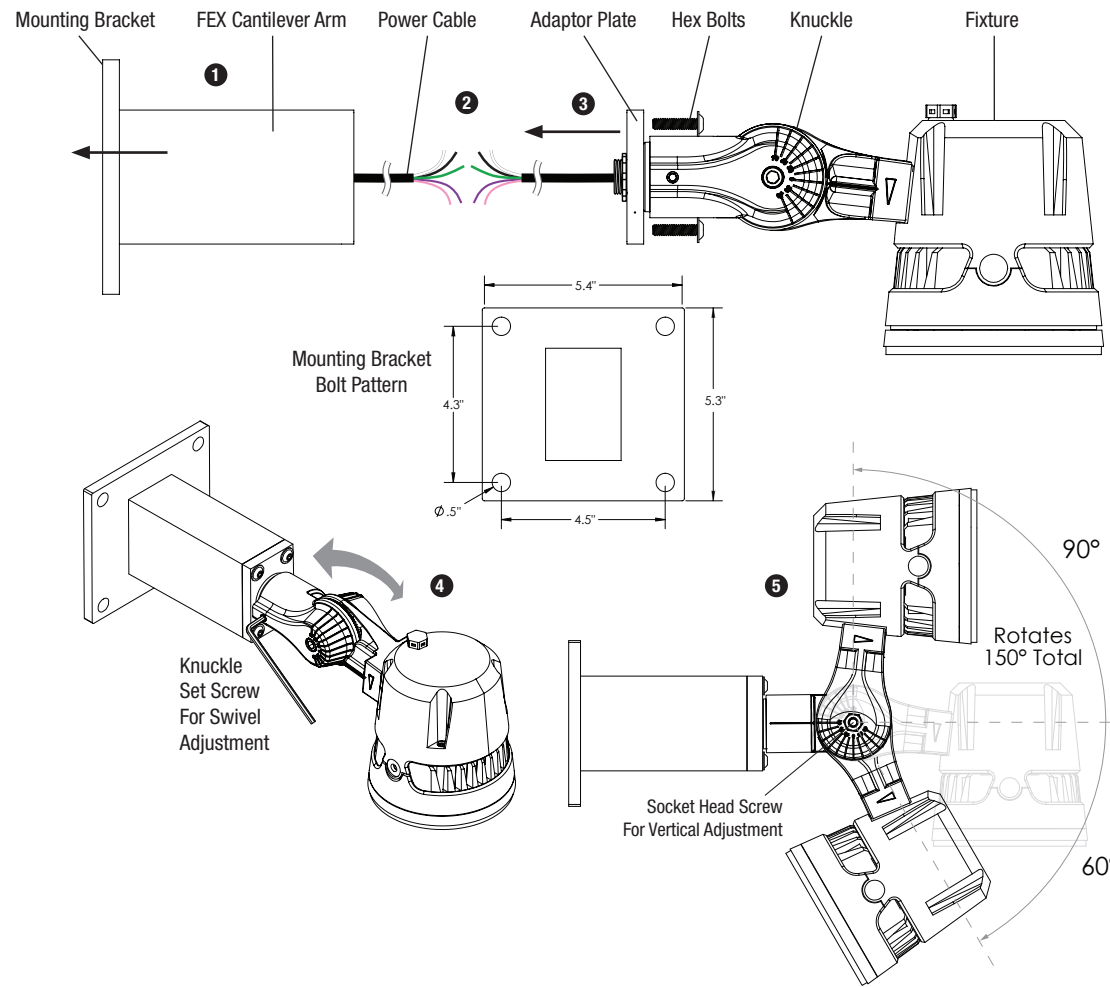
- 1) The Fixture ships with the Adaptor Plate attached and FEX arm is separate to start the installation process and assembly. See Assembly Overview.
- 2) Begin by securing the FEX Cantilever Arm to the intended mounting surface. Be sure and run the Power Cable through and out the FEX Arm first. **Fig 1**
- 3) Complete Power and optional Dimming connections and push completed connections back into the FEX Cantilever Arm. **Fig 2**

WIRING: Make wire connections at the J-box using Silicone Wire Nuts (by others) following NEC and local codes. Black (Line), White (Neutral), Green (Ground); 0-10V Dimming option: Violet (+) dimming, Pink (-) dimming.

- 4) Attach the Fixture with the Adaptor Plate to the FEX Cantilever Arm using the (4) provided 5/32" Hex drive, 1/4"-20 flanged button head screws. Torque each screw to 75 lbf-in (6.25 lbf-ft) [8.5 N-m]. **Fig 3**
- 5) Set the Swivel Adjustment (side to side) to desired position and lock in place using a 5/32" hex key, Max Torque 70 lbf-in (4.2 lbf-ft) [5.7 N-m]. **Fig 4**
- 6) Set the Vertical Adjustment using a 1/4" Hex Key on the Knuckle Assembly. Then retighten Set Screw, Max Torque 80 lbf-in (5.9 lbf-ft) [7.9 N-m]. **Fig 5**
- 7) Apply power to fixture and test for proper operation.

Note: These instructions do not cover all details or variations in equipment nor do they provide for every possible situation during installation.

Assembly Overview (Same assembly for 6", 12", and 18" Extension Arm)



FCF1100/SSL2100 Series (Post Top Fitter PF Mount) - INSTALLATION INSTRUCTIONS

CAUTION: BEFORE CONNECTING THE FIXTURE TO A POWER SUPPLY, MAKE SURE THE POWER IS SWITCHED OFF.

Includes: FCF1105, FCF1106, FCF1109, SSL2105, SSL2106 and SSL2109 only.

DETAILED ILLUSTRATION



GENERAL:

1. Before starting the installation, make sure all electricity has been turned off and electrical breaker has been locked out and tagged out.
2. To ensure the success of the installation, be sure to read these instructions and review the diagrams thoroughly before beginning.
3. All electrical connections must be in accordance with local codes, ordinances, or the National Electrical Code.
4. This product must be installed in accordance with national and local electrical and construction codes by a person familiar with the construction and operation of the product and the hazards involved. Failure to comply with the following instructions may result in injury or death.

NOTE: The important safeguards and instructions appearing in this document are not meant to cover all possible conditions, equipment and situations that may occur.

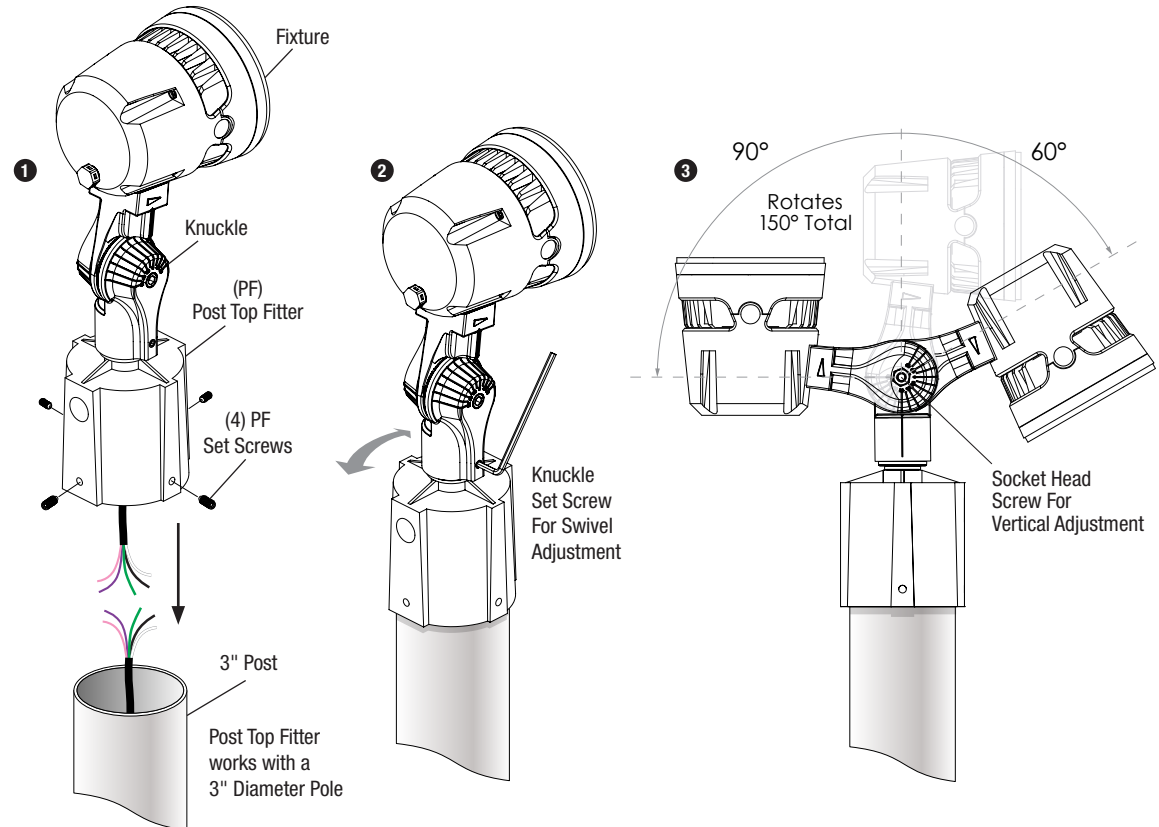
WARNING:

- Disconnect power to avoid electrical shock.
- Do not exceed fixture specified voltage.
- Do not use if any parts are damaged.
- Unauthorized field repair will void warranty.
- Retain all gaskets and hardware for reuse.

NOTE: LEDs are integral and NOT intended for general servicing.

INSTALLATION INSTRUCTIONS:

- 1) The Fixture ships assembled with the Post Top Fitter (PF). The Post Top Fitter adapts to a 3-inch diameter pole.
- 2) Complete the wiring connections from the Fixture to the Lead Wires inside the Post using Silicone Wire Nuts (by others) and following NEC and local codes. Then guide the connections into the Post. Black (Line), White (Neutral), Green (Ground), 0-10V Dimming option: Violet (+) dimming, Pink (-) dimming.
- 3) Slide the Post Top Fitter over the 3" Post and torque (4) 5/32" Hex drive, 5/16"-18 Set Screws to 40 lbf-in (3.3 lbf-ft) [4.5 N-m] to secure the Fixture and PF assembly onto the Post. **Fig 1**
- 4) Set the Swivel Adjustment (side to side) to desired position and lock in place using a 5/32" hex key, Max Torque 70 lbf-in (4.2 lbf-ft) [5.7 N-m]. **Fig 2**
- 5) Set the Vertical Adjustment using a 1/4" Hex Key on the Knuckle Assembly. Then retighten Set Screw, Max Torque 80 lbf-in (5.9 lbf-ft) [7.9 N-m]. **Fig 3**
- 6) Apply power to fixture and test for proper operation.



Note: These instructions do not cover all details or variations in equipment nor do they provide for every possible situation during installation.

FCF1100/SSL2100 Series (Surface Base SB Mount) - INSTALLATION INSTRUCTIONS

CAUTION: BEFORE CONNECTING THE FIXTURE TO A POWER SUPPLY, MAKE SURE THE POWER IS SWITCHED OFF.

Includes: FCF1105, FCF1106, SSL2105 and SSL2106 only.
*Not Available for FCF1109 and SSL2109.

DETAILED ILLUSTRATION



GENERAL:

1. Before starting the installation, make sure all electricity has been turned off and electrical breaker has been locked out and tagged out.
2. To ensure the success of the installation, be sure to read these instructions and review the diagrams thoroughly before beginning.
3. All electrical connections must be in accordance with local codes, ordinances, or the National Electrical Code.
4. This product must be installed in accordance with national and local electrical and construction codes by a person familiar with the construction and operation of the product and the hazards involved. Failure to comply with the following instructions may result in injury or death.

NOTE: The important safeguards and instructions appearing in this document are not meant to cover all possible conditions, equipment and situations that may occur.

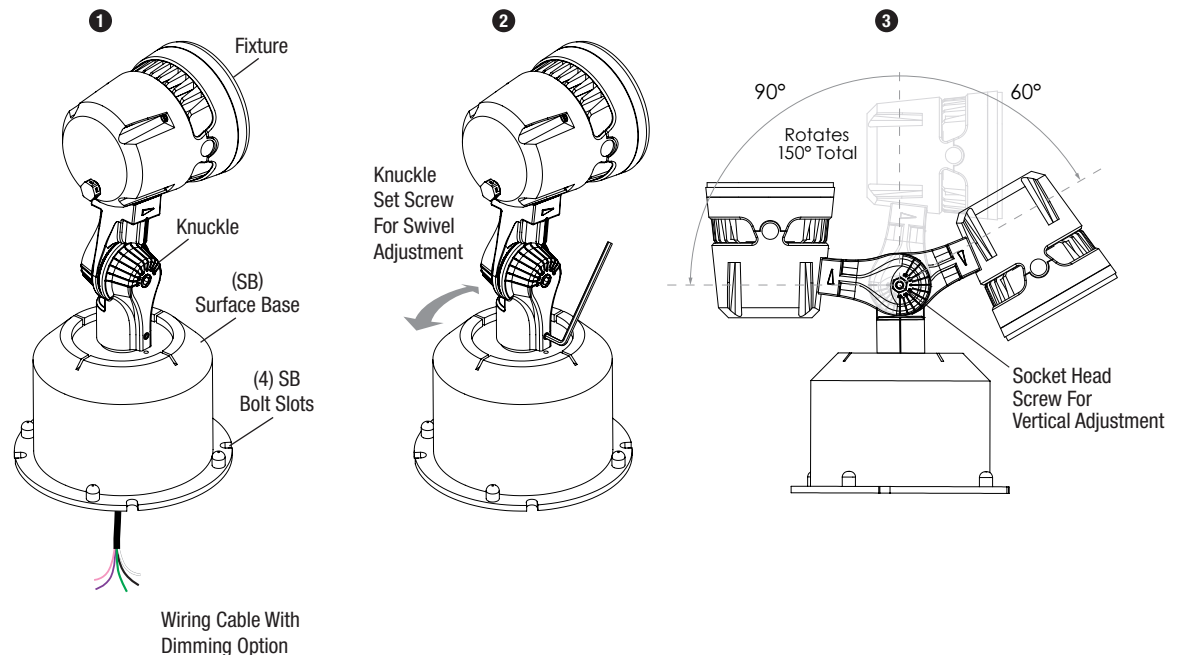
WARNING:

- Disconnect power to avoid electrical shock.
- Do not exceed fixture specified voltage.
- Do not use if any parts are damaged.
- Unauthorized field repair will void warranty.
- Retain all gaskets and hardware for reuse.

NOTE: LEDs are integral and NOT intended for general servicing.

INSTALLATION INSTRUCTIONS:

- 1) The Fixture ships assembled with the Surface Base Mount.
- 2) Make wire connections from Fixture to Power Cable. Black (Line), White (Neutral), Green (Ground), 0-10V Dimming option: Violet (+) dimming, Pink (-) dimming
- 3) Mount the Surface Base (SB) to the intended surface and use Bolt Slots to anchor the Base in place using appropriate hardware (by others). **Fig 1**
- 4) Set the Swivel Adjustment (side to side) to desired position and lock in place using a 5/32" hex key, Max Torque 70 lbf-in (4.2 lbf-ft) [5.7 N-m]. **Fig 2**
- 5) Set the Vertical Adjustment using a 1/4" Hex Key on the Knuckle Assembly. Then retighten Set Screw, Max Torque 80 lbf-in (5.9 lbf-ft) [7.9 N-m]. **Fig 3**
- 6) Apply power to fixture and test for proper operation.



Note: These instructions do not cover all details or variations in equipment nor do they provide for every possible situation during installation.

FCF1100/SSL2100 Series (Tree Mount TM) - INSTALLATION INSTRUCTIONS

CAUTION: BEFORE CONNECTING THE FIXTURE TO A POWER SUPPLY, MAKE SURE THE POWER IS SWITCHED OFF.

Includes: FCF1105, FCF1106, SSL2105 and SSL2109 only.

DETAILED ILLUSTRATION

GENERAL:

1. Before starting the installation, make sure all electricity has been turned off and electrical breaker has been locked out and tagged out.
2. To ensure the success of the installation, be sure to read these instructions and review the diagrams thoroughly before beginning.
3. All electrical connections must be in accordance with local codes, ordinances, or the National Electrical Code.
4. This product must be installed in accordance with national and local electrical and construction codes by a person familiar with the construction and operation of the product and the hazards involved. Failure to comply with the following instructions may result in injury or death.

NOTE: The important safeguards and instructions appearing in this document are not meant to cover all possible conditions, equipment and situations that may occur.

WARNING:

- Disconnect power before installing or servicing to avoid electrical shock.
- Do not exceed fixture specified voltage.
- Do not use if fixture, parts or connectors are damaged.
- Unauthorized field repair will void warranty.
- Retain all gaskets and hardware for reuse.

NOTE: LED lamping is integral and NOT intended for general servicing.

Note: These instructions do not cover all details or variations in equipment nor do they provide for every possible situation during installation.

INSTALLATION INSTRUCTIONS:

- 1) Determine height position on tree and run NEC code approved conduit or other electrical supply type up tree.
- 2) If Cleat & J-box need to be assembled see **Fig 1**
- 3) Attach electrical supply to J-box assembly using 1/2" NPT opening at either end of J-box.
- 3) Pull Strap tight against tree. Strap and Buckle parts. **Fig 2**
- 4) Make water proof connections in J-box with wires ensuring to follow all NEC and local code requirements. Connect wires to incoming power. Black = Line, White = Neutral, Green = Ground, Purple = 0-10V(+), Pink = 0-10V(-). **Fig 3**
- 4) Attach fixture to J-box cover and attach cover to J-box. Ensure proper seal to guard against water intake. **Fig 4**
- 6) Apply power to fixture and test for proper operation.
- 7) Adjust angle of fixture for best illumination. Tighten hex screw on adjustable knuckle to lock in position.

Fig 2 Strap and Buckle Parts

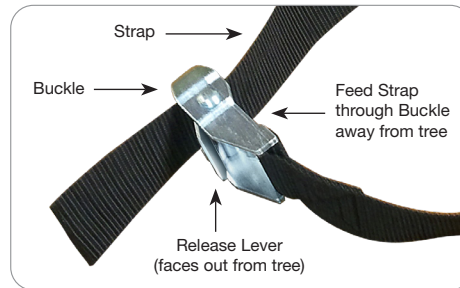
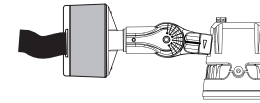


Fig 3 Wire Connections

	Green = Ground (To J-box)
	Black = Line (Hot)
	White = Neutral
	Purple = DIM (+)
	Pink = DIM (-)
} For 0-10V Dimming	



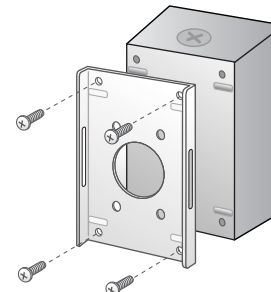
Please Read: Install fittings or conduit using silicone sealing compound or equivalent on threads and inside J-box to prevent water ingress. Failure to do so voids Warranty.

Tree Mount Cleat and J-box Dimensions

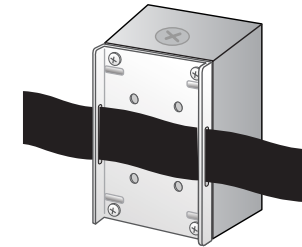
J-box Front = 2-3/4"W x 4-1/2"H
Cleat & J-box Side = 2-1/2"D
J-box Hole = 1/2" NPT



Fig 1. Cleat and J-box Assembly



Attach cleat to J-Box with screws



Thread strap through holes on each side of cleat

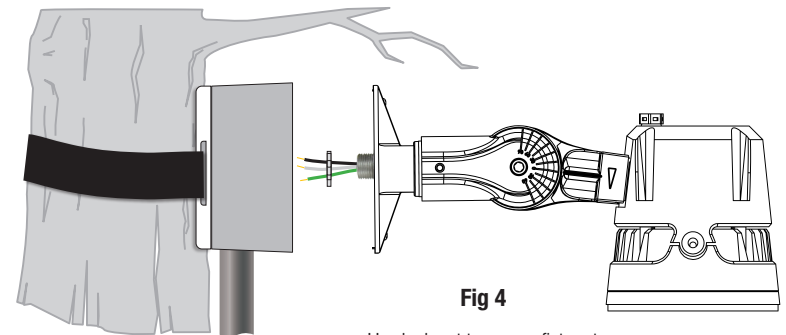


Fig 4

Use lock nut to secure fixture to J-box cover and screws to attach cover to the J-box assembly.

FCF1100/SSL2100 Series (Yoke Y to Surface, Whip to J-box) - INSTALLATION INSTRUCTIONS

CAUTION: BEFORE CONNECTING THE FIXTURE TO A POWER SUPPLY, MAKE SURE THE POWER IS SWITCHED OFF.

Includes: FCF1103, FCF1105, FCF1106, FCF1109, SSL2105, SSL2106 and SSL2109 only.

DETAILED ILLUSTRATION



GENERAL:

1. Before starting the installation, make sure all electricity has been turned off and electrical breaker has been locked out and tagged out.
2. To ensure the success of the installation, be sure to read these instructions and review the diagrams thoroughly before beginning.
3. All electrical connections must be in accordance with local codes, ordinances, or the National Electrical Code.

NOTE: The important safeguards and instructions appearing in this manual are not meant to cover all possible conditions and situations that may occur.

INSTALLATION INSTRUCTIONS:

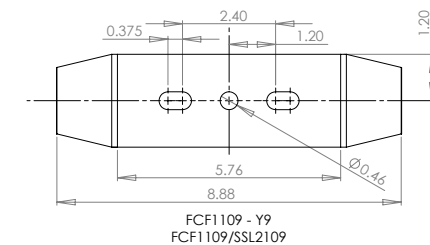
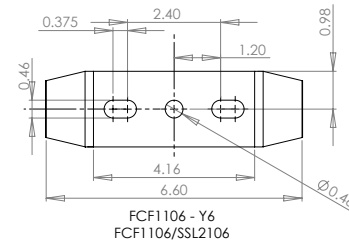
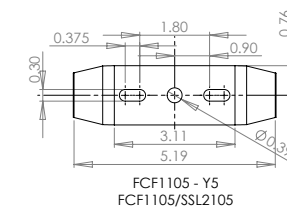
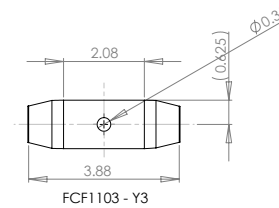
NOTE: LED lamping is integral and NOT intended for general servicing.

- 1) Determine location and orientation of fixture on mounting surface. Fixture must be within 12" of J-box. NOTICE: Fixture can only be adjusted on one axis after mounting.
- 2) Mark two outer mounting holes thru the yoke on the FCF1105/SSL2105, FCF1106/SSL2106 and FCF1109/SSL2109. On the FCF1103 mark the center hole for mounting.



Note: These instructions do not cover all details or variations in equipment nor do they provide for every possible situation during installation.

- 4) Feed cord thru cord grip and J-box cover (by others).
- 5) Connect wires to incoming power. Black = Line, White = Neutral, Green = Ground, 0-10V Dimming option: Violet = (+) dimming, Pink = (-) dimming.
- 6) Re-attach J-box cover.



- 3) Drill and insert appropriate anchor(s) for surface material and fixture weight. 1/4" x 20 bolts recommended (provided by others). Using bolts and locking washers, attach fixture firmly to the mounting surface.

FCF1100/SSL2100 Series (Heavy Duty Ground Stake HGS) - INSTALLATION INSTRUCTIONS

CAUTION: BEFORE CONNECTING THE FIXTURE TO A POWER SUPPLY, MAKE SURE THE POWER IS SWITCHED OFF.

Includes: FCF1105, FCF1106, FCF1109, SSL2105, SSL2106 and SSL2109 only.

DETAILED ILLUSTRATION



GENERAL:

1. Before starting the installation, make sure all electricity has been turned off and electrical breaker has been locked out and tagged out.
2. To ensure the success of the installation, be sure to read these instructions and review the diagrams thoroughly before beginning.
3. All electrical connections must be in accordance with local codes, ordinances, or the National Electrical Code.
4. This product must be installed in accordance with national and local electrical and construction codes by a person familiar with the construction and operation of the product and the hazards involved. Failure to comply with the following instructions may result in injury or death.

NOTE: The important safeguards and instructions appearing in this document are not meant to cover all possible conditions, equipment and situations that may occur.

WARNING:

- Disconnect power to avoid electrical shock.
- Do not exceed fixture specified voltage.
- Do not use if any parts are damaged.
- Unauthorized field repair will void warranty.
- Retain all gaskets and hardware for reuse.

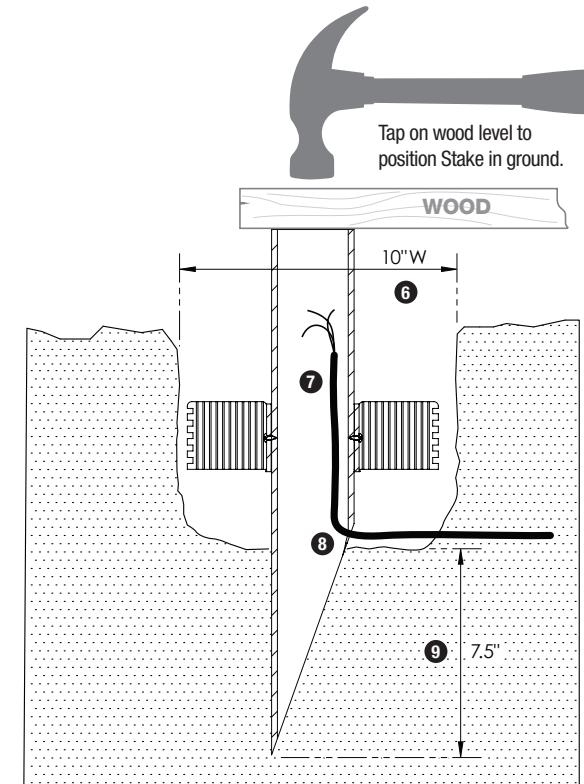
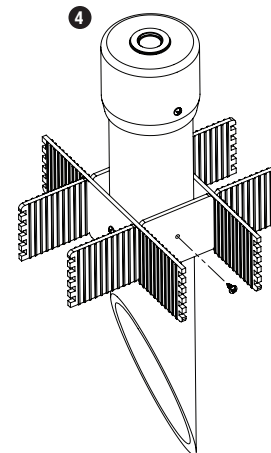
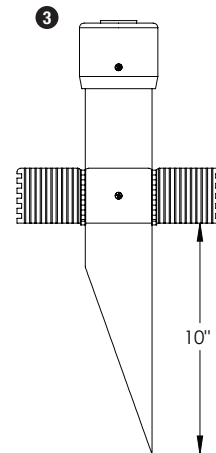
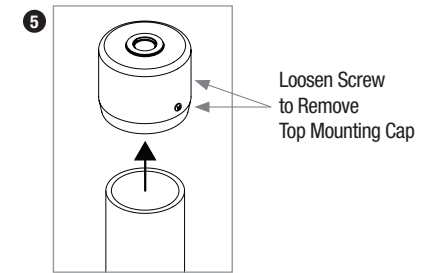
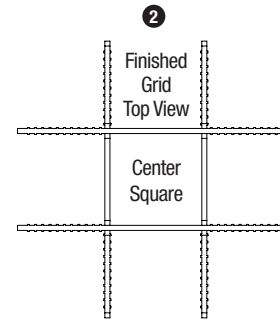
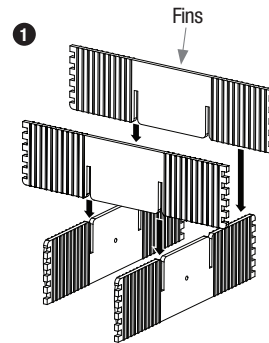
NOTE: LEDs are integral and NOT intended for general servicing.

- 1) Remove the contents from inside the Ground Stake. Confirm that there are four "Fins" and four Screws.
- 2) Assemble the Fins of the Stabilizer Grid by mating them together using the two slots in each Fin. **Fig. 1**
- 3) Once the Stabilizer Grid is assembled it should look like this from the top view. **Fig. 2**
- 4) Slide the Stake in through the middle square of the Fin assembly Grid.
- 5) Secure the Fins to the Stake by screwing the (4) supplied Screws directly into the side of the Stake. **Note:** Recommended Fin height is 10 inches from the bottom of the Stake. **Fig. 3**
- 6) Finished Ground Stake assembly. **Fig. 4**
- 7) Loosen Screw only and Remove the Top Mount Cap. **Fig. 5** Set it aside for fixture setup.

Installing Stake In Ground

- 8) Excavate for conduit lines and Stake post. Consider climate like snowfall conditions when determining the post height above ground.
- 9) Dig a Hole where the Stake will be installed, approximately 10 inches in diameter and 8.25 inches deep. **Fig. 6** Stake should stand approximately 3 inches above ground. Silicone Wire Nuts and Waterproof Junction Box should be used for wiring connections.
- 10) Feed the Lead Wire from the J-box up through the Ground Stake tube and tuck the excess wire back in the top of the tube. **Fig. 7**
- 11) Position the Ground Stake in the center of the excavated hole and, if needed, place a flat 2"x 4" piece of wood or equivalent on top of the Stake tube and tap on it level to sink the post 7.5 inches into the ground. **Fig. 9**

Continue next page ...



FCF1100/SSL2100 Series (Heavy Duty Ground Stake HGS) - INSTALLATION INSTRUCTIONS

CAUTION: BEFORE CONNECTING THE FIXTURE TO A POWER SUPPLY, MAKE SURE THE POWER IS SWITCHED OFF.

Includes: FCF1105, FCF1106, FCF1109, SSL2105, SSL2106 and SSL2109 only.

DETAILED ILLUSTRATION



GENERAL:

1. Before starting the installation, make sure all electricity has been turned off and electrical breaker has been locked out and tagged out.
2. To ensure the success of the installation, be sure to read these instructions and review the diagrams thoroughly before beginning.
3. All electrical connections must be in accordance with local codes, ordinances, or the National Electrical Code.
4. This product must be installed in accordance with national and local electrical and construction codes by a person familiar with the construction and operation of the product and the hazards involved. Failure to comply with the following instructions may result in injury or death.

NOTE: The important safeguards and instructions appearing in this document are not meant to cover all possible conditions, equipment and situations that may occur.

WARNING:

- Disconnect power to avoid electrical shock.
- Do not exceed fixture specified voltage.
- Do not use if any parts are damaged.
- Unauthorized field repair will void warranty.
- Retain all gaskets and hardware for reuse.

NOTE: LEDs are integral and NOT intended for general servicing.

Install Continued ...

NOTE: Once the Ground Stake (HGS) is in position you can backfill around the post with gravel for added stability, and add dirt at the surface. **Fig 10**

- 12) Complete the wiring connections from the Fixture to the Lead Wires inside the Stake tube using Silicone Wire Nuts (by others) and following NEC and local codes. Then guide the connections into the Stake Tube.
- 13) Install Fixture and Mounting Cap assembly onto Stake Tube by pushing the unit down onto the Tube and locking it in place with Philips head screw supplied. DO NOT overtighten. **Fig 11**
- 14) Set the Swivel Light Adjustment (side to side) to desired position and lock in place using a 5/32" hex key Max Torque 70 lbf-in (4.2 lbf-ft) [5.7 N-m]. **Fig 12**
- 15) To adjust the Vertical Light Direction loosen the center Socket Head Screw using a 1/4" Hex Key on the Knuckle Assembly. When adjustment is completed retighten to Max Torque 80 lbf-in (5.9 lbf-ft) [7.9 N-m], apply Loctite 271 to threads. **Fig 13**
- 16) Apply power to fixture and test for proper operation.

