

CYLINDERS (SF: Surface Mount) INSTALLATION INSTRUCTIONS

CAUTION: BEFORE CONNECTING THE FIXTURE TO A POWER SUPPLY, MAKE SURE THE POWER IS SWITCHED OFF.

SSL
solid state luminaires

t 800.900.1730
3609 Swenson Ave. St. Charles, IL 60174

DETAILED ILLUSTRATION



GENERAL:

1. Fixture must be installed by licensed electrician.
2. All electrical connections must be in accordance with local codes, ordinances, or the National Electrical Code.
3. Before starting the installation, make sure all electricity has been turned off and electrical breaker has been locked out and tagged out.
4. To ensure the success of the installation, be sure to read these instructions and review the diagrams thoroughly before beginning.

NOTE: The important safeguards and instructions appearing in this manual are not meant to cover all possible conditions and situations that may occur.

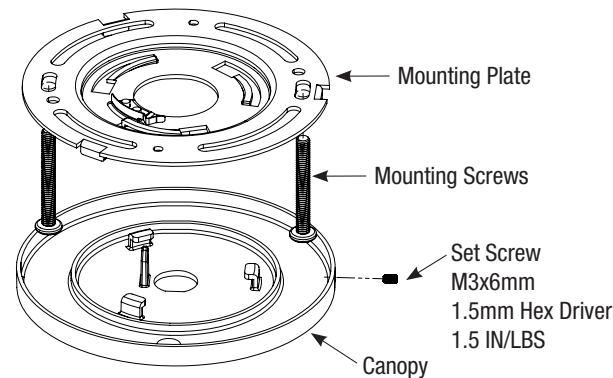
INSTALLATION INSTRUCTIONS:

- 1) Make the wiring connections at the J-box. Then remove the Mounting Plate from the top of the cylinder by turning in a clock-wise motion.
- 2) Use Mounting Screws to fasten the Mounting Plate to the J-box on the intended surface. It mounts to a standard sized octagonal J-box.
- 3) Attach the Canopy to the Mounting Plate in a clock-clockwise twisting motion.
- 4) Restore power to circuit, then test fixture.

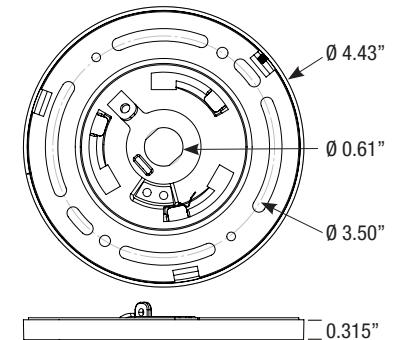
NOTE: LED lamping is integral and NOT intended for general servicing.

IMPORTANT: All FC|SSL products can be cleaned with non-abrasive and chemical free agents. Use a soft cloth with mild detergent on exterior only.

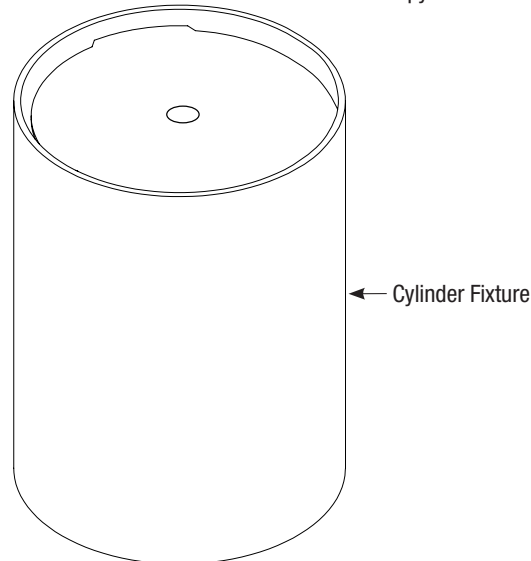
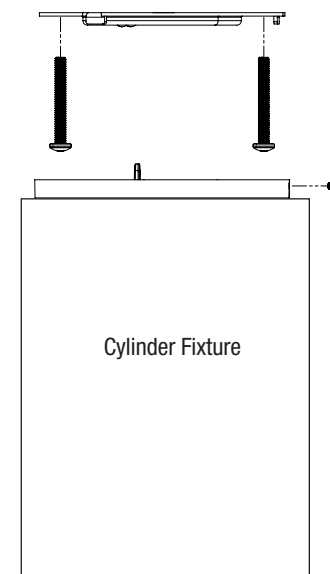
CANOPY EXPLODED VIEW



CANOPY MOUNTING PLATE



CANOPY SIDE VIEW



RG-DM-080723