

ColourLine™ LazerLine Wet - INSTALLATION and OPERATION INSTRUCTIONS

CAUTION: BEFORE CONNECTING THE FIXTURE TO A POWER SUPPLY, MAKE SURE THE POWER IS SWITCHED OFF.



t 800.900.1730
3609 Swenson Ave.
St. Charles, IL 60174



CLZWET

GENERAL:

1. Before starting the installation, make sure all electricity has been turned off and electrical breaker has been locked out and tagged out.
2. To ensure the success of the installation, be sure to read these instructions and review the diagrams thoroughly before beginning.
3. All electrical connections must be in accordance with local codes, ordinances, or the National Electrical Code.

NOTE: The important safeguards and instructions appearing in this manual are not meant to cover all possible conditions and situations that may occur.

INSTALLATION:

- 1) Verify Physical Layout Plan.
 - a) Ensure all hardware is present.
 - b) Ensure all electrical feeds are correctly positioned with all hardware and any other active components.
 - c) Confirm DMX Addressing Plan.
 - i. SSL recommends pre-addressing fixtures before mounting installation.
 - ii. Ensure that addressing is documented for future upgrading, configuring or troubleshooting.
 - iii. Create an addressing table to document all fixture IDs and their physical location.

HARDWARE: May include RDM Controller, Exterior Rated Data Line, AC Power Feed, PDX/S box, PDX2 box, Starter Cords, Terminator Caps, Extension Cables and fixtures.

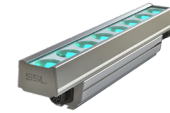
NOTE: Use Extension Cable when necessary, for corners and extending fixture runs.

IMPORTANT: Max Run Length: see **Chart A**.

REQUIRED: Starter Cable (**SC05/10/25/50LZWET** or **SC10LZWETL**) and Terminator Cap (**TCAP DCLZWET**) are required for every run.

ColourLine™ LazerLine Wet - INSTALLATION and OPERATION INSTRUCTIONS

CAUTION: BEFORE CONNECTING THE FIXTURE TO A POWER SUPPLY, MAKE SURE THE POWER IS SWITCHED OFF.



CLZWET



t 800.900.1730
3609 Swenson Ave.
St. Charles, IL 60174

DETAILED ILLUSTRATION

CLZWET - Single Segment Configuration

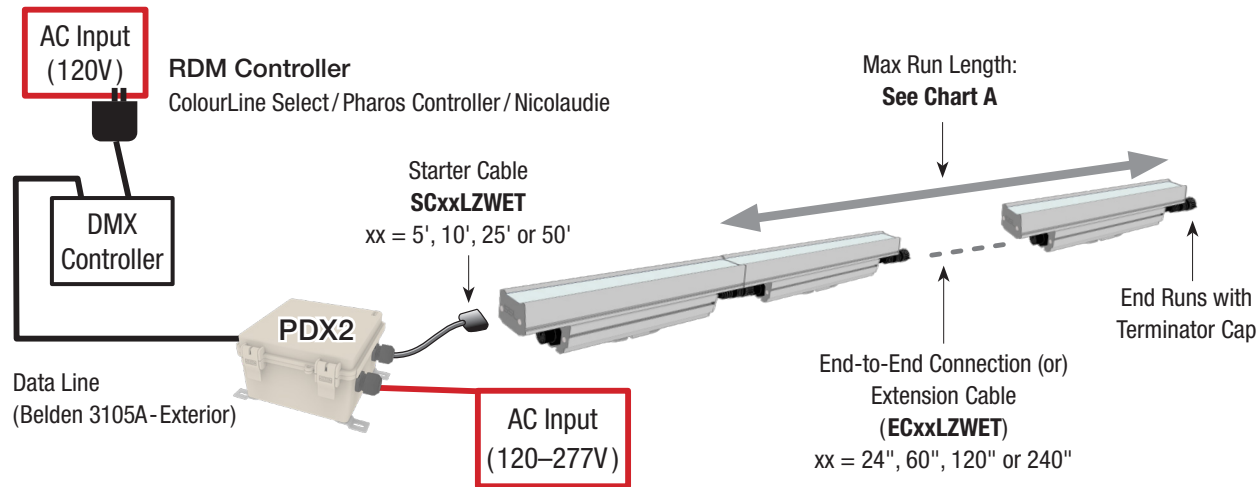
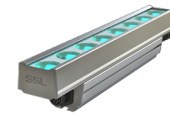


Chart A

Max Run Length	120V	277V
5W/FT	160'	360'
10W/FT	80'	180'

ColourLine™ LazerLine Wet - INSTALLATION and OPERATION INSTRUCTIONS

CAUTION: BEFORE CONNECTING THE FIXTURE TO A POWER SUPPLY, MAKE SURE THE POWER IS SWITCHED OFF.



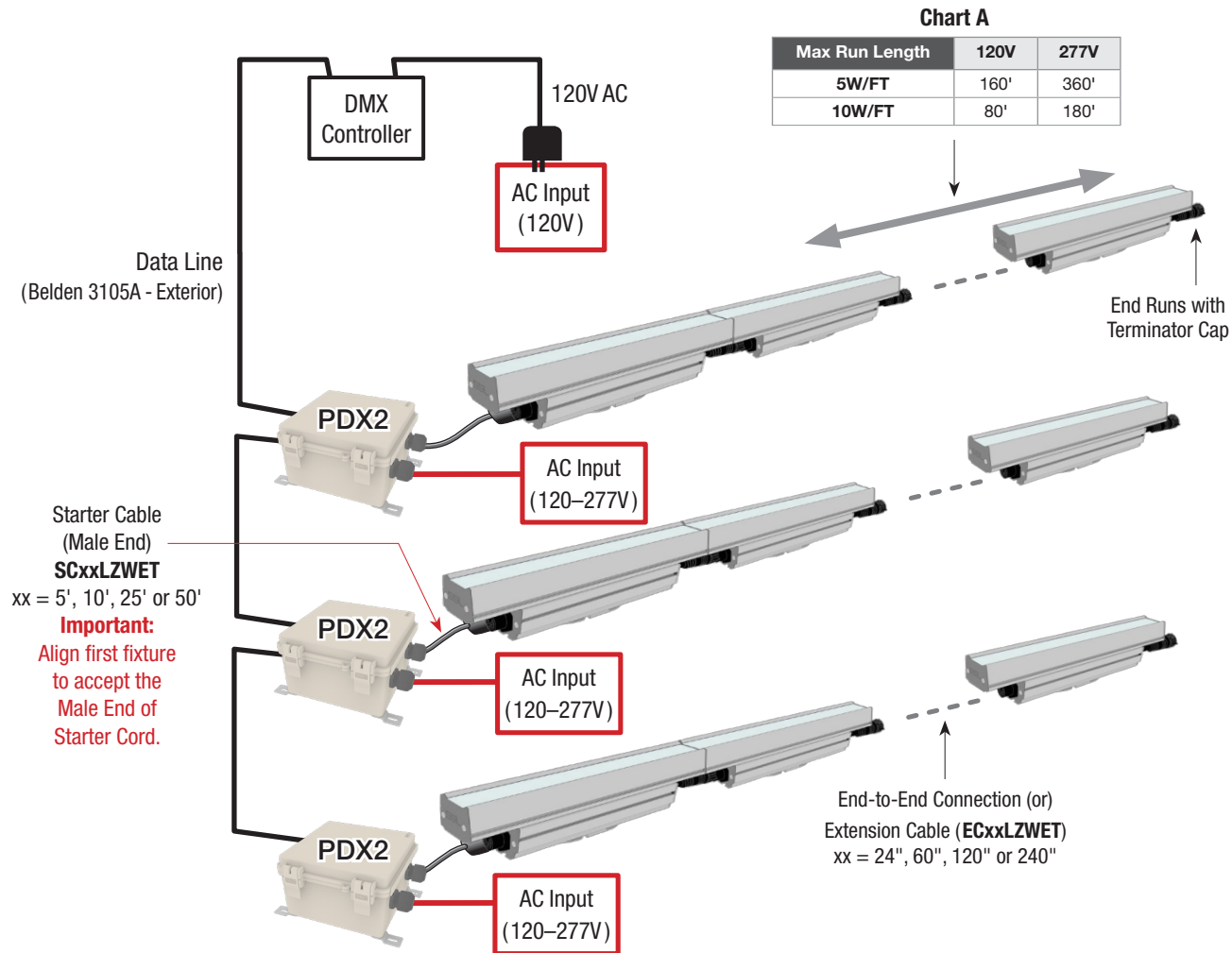
CLZWET



t 800.900.1730
3609 Swenson Ave.
St. Charles, IL 60174

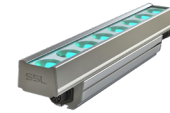
DETAILED ILLUSTRATION

CLZWET - Multiple Segment Configuration



ColourLine™ LazerLine Wet - INSTALLATION and OPERATION INSTRUCTIONS

CAUTION: BEFORE CONNECTING THE FIXTURE TO A POWER SUPPLY, MAKE SURE THE POWER IS SWITCHED OFF.



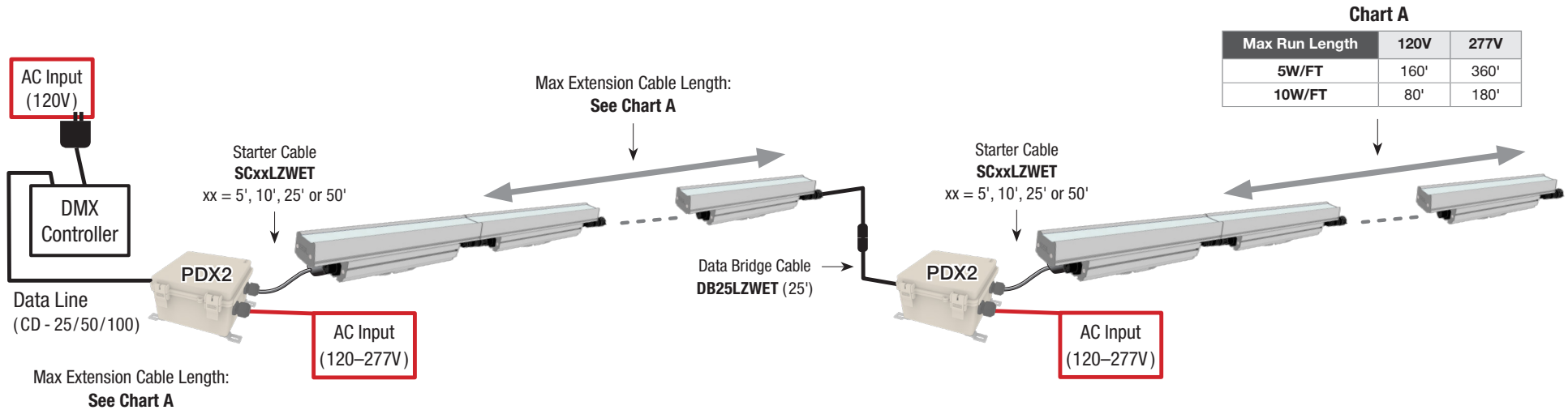
CLZWET



t 800.900.1730
3609 Swenson Ave.
St. Charles, IL 60174

DETAILED ILLUSTRATION

CLZWET - Extended Segment Configuration



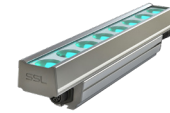
3 Max Run Length Segments

Three Max Run Length Segments can be connected before requiring a Repeater.



ColourLine™ LazerLine Wet - INSTALLATION and OPERATION INSTRUCTIONS

CAUTION: BEFORE CONNECTING THE FIXTURE TO A POWER SUPPLY, MAKE SURE THE POWER IS SWITCHED OFF.



CLZWET



t 800.900.1730
3609 Swenson Ave.
St. Charles, IL 60174

DETAILED ILLUSTRATION

GENERAL:

1. Before starting the installation, make sure all electricity has been turned off and electrical breaker has been locked out and tagged out.
2. To ensure the success of the installation, be sure to read these instructions and review the diagrams thoroughly before beginning.
3. All electrical connections must be in accordance with local codes, ordinances, or the National Electrical Code.

NOTE: The important safeguards and instructions appearing in this manual are not meant to cover all possible conditions and situations that may occur.

INSTALLATION:

- 1) Personality Configuration
 - a) The CLZWET “Personality” is the resolution increments that can be configured via software.

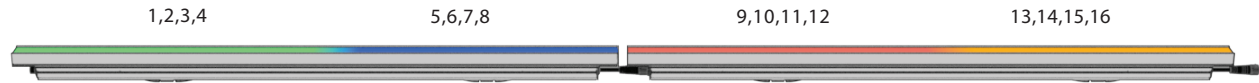
NOTE: Personality configuration must be set before setting the DMX addresses.

NOTE: Each increment shows the number of DMX addresses that are used in each fixture for the corresponding personality.

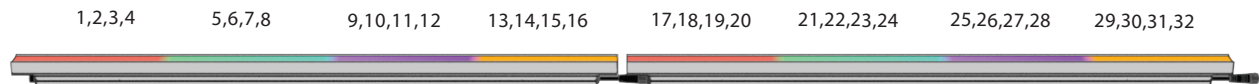
Personality 1 4 foot & 1 foot fixtures **configured 4 Channels per fixture** (R,G,B,W)



Personality 2 4 foot fixture (only) **configured in 2 foot increments** (4 Channels/2ft - R,G,B,W)



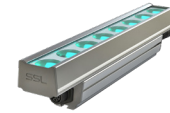
Personality 3 4 foot fixture (only) **configured in 1 foot increments** (4 Channels/1ft - R,G,B,W)



ColourFull fixtures provide maximum output at all times – with all colors, so your application receives the maximum color saturation. Using a Custom Tooled Native Optic with a collimating color mixing chamber that mixes at the phosphor level enabling unique color combinations.

ColourLine™ LazerLine Wet - INSTALLATION and OPERATION INSTRUCTIONS

CAUTION: BEFORE CONNECTING THE FIXTURE TO A POWER SUPPLY, MAKE SURE THE POWER IS SWITCHED OFF.



CLZWET



t 800.900.1730
3609 Swenson Ave.
St. Charles, IL 60174

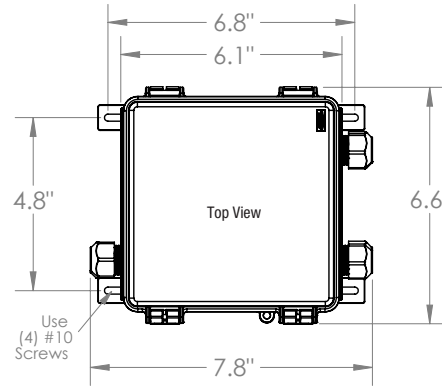
DETAILED ILLUSTRATION

PDX2 - Power/Data Box

GENERAL:

1. Before starting the installation, make sure all electricity has been turned off and electrical breaker has been locked out and tagged out.
2. To ensure the success of the installation, be sure to read these instructions and review the diagrams thoroughly before beginning.
3. All electrical connections must be in accordance with local codes, ordinances, or the National Electrical Code.

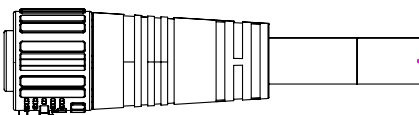
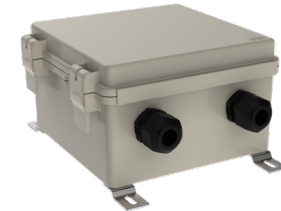
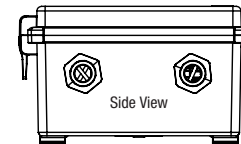
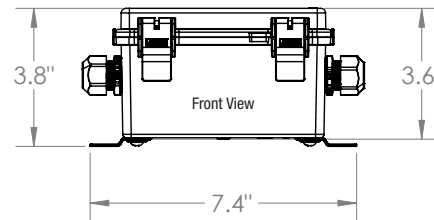
NOTE: The important safeguards and instructions appearing in this manual are not meant to cover all possible conditions and situations that may occur.



INSTALLATION:

- 1) PDX2 (Power/Data Box)
 - a) Mount PDX2 (PDX2 is exterior-rated).

NOTE: Use appropriate fasteners for mounting to surface type.



BLACK - LINE
WHITE - NEUTRAL
GREEN - GROUND
PURPLE - DATA+
PINK - DATA-

Cable Accessories (order separately)

Accessories (Indicate the quantity needed for each item.) **REQUIRED:** Starter Cable (SCxxCLZ) and Terminator Cap (TCAPDCLZWET) for every run.

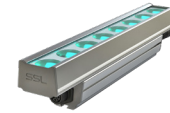
- _____ **SC10CLZ** 10 ft. Starter Connection Cord
- _____ **SC25CLZ** 25 ft. Starter Connection Cord
- _____ **SC50CLZ** 50 ft. Starter Connection Cord

- _____ **TCAPDCLZWET** Data Terminator Cap (120 Ohm)
- _____ **EC24LZWET** 24 in. Extension Cord
- _____ **EC60LZWET** 60 in. Extension Cord

- _____ **EC120LZWET** 120 in. Extension Cord
- _____ **EC240LZWET** 240 in. Extension Cord

ColourLine™ LazerLine Wet - INSTALLATION and OPERATION INSTRUCTIONS

CAUTION: BEFORE CONNECTING THE FIXTURE TO A POWER SUPPLY, MAKE SURE THE POWER IS SWITCHED OFF.



CLZWET



t 800.900.1730
3609 Swenson Ave.
St. Charles, IL 60174

DETAILED ILLUSTRATION

PDX2 - Power/Data Box

GENERAL:

1. Before starting the installation, make sure all electricity has been turned off and electrical breaker has been locked out and tagged out.
2. To ensure the success of the installation, be sure to read these instructions and review the diagrams thoroughly before beginning.
3. All electrical connections must be in accordance with local codes, ordinances, or the National Electrical Code.

NOTE: The important safeguards and instructions appearing in this manual are not meant to cover all possible conditions and situations that may occur.

INSTALLATION:

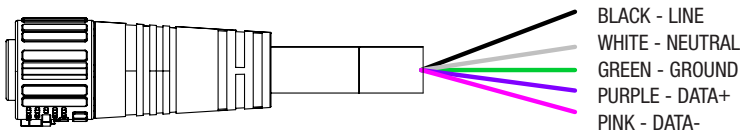
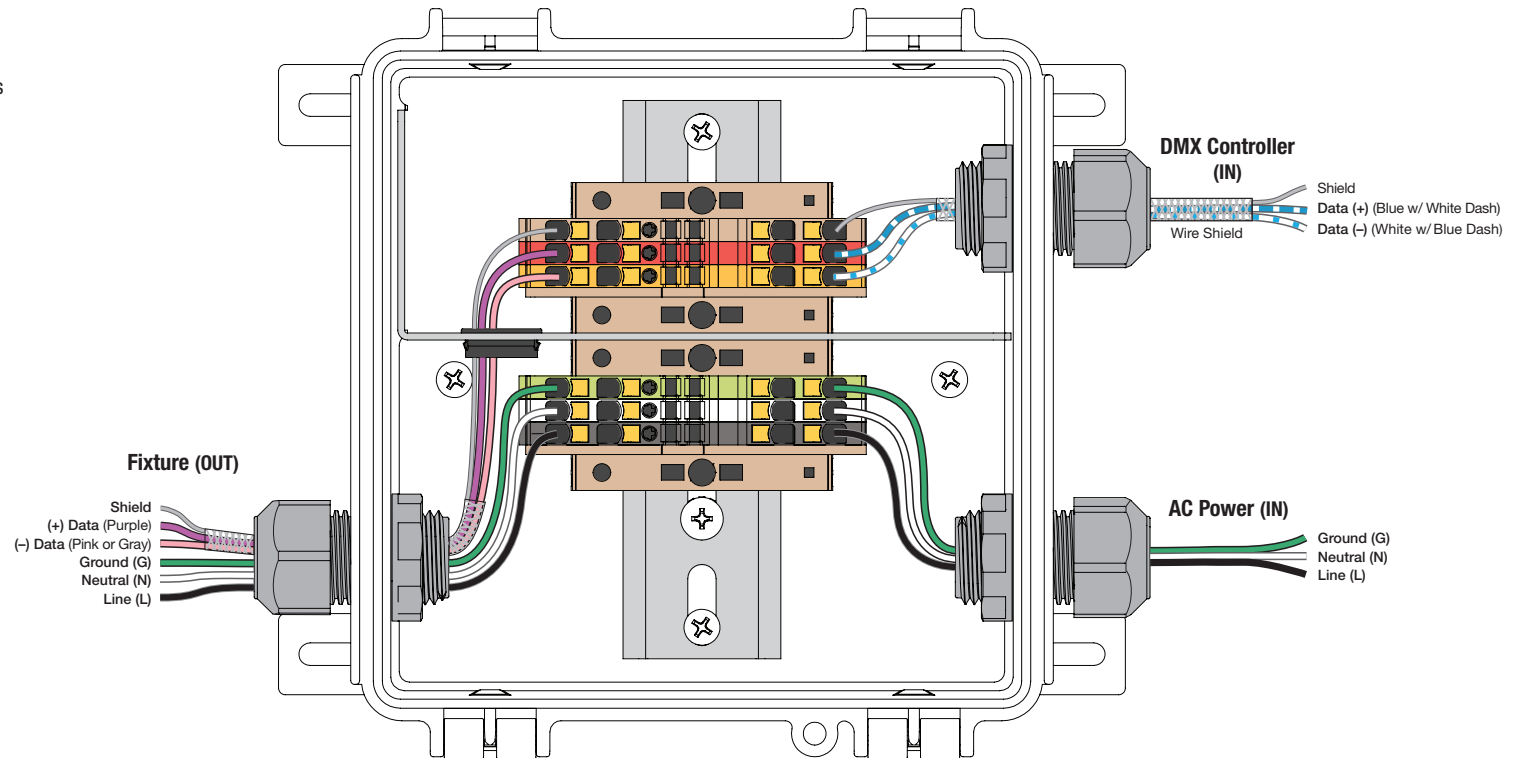
- 1) PDX2 (Power/Data Box)
 - a) Mount PDX2 (PDX2 is exterior-rated).

NOTE: Use appropriate fasteners for mounting to surface type.

- b) PDX2 Wiring Diagram

PDX2 Wiring

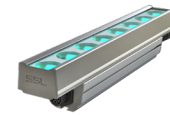
TOP VIEW



CLZWETii

ColourLine™ LazerLine Wet - INSTALLATION and OPERATION INSTRUCTIONS

CAUTION: BEFORE CONNECTING THE FIXTURE TO A POWER SUPPLY, MAKE SURE THE POWER IS SWITCHED OFF.

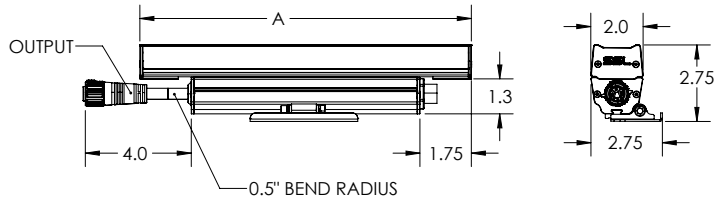


CLZWET

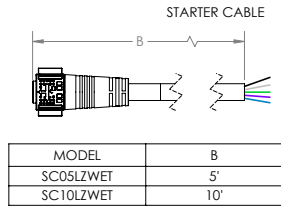


t 800.900.1730
3609 Swenson Ave.
St. Charles, IL 60174

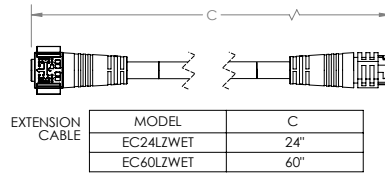
STANDARD DIMENSIONS & CABLES



MODEL	A
CLZWET-1	11.8"
CLZWET-4	47.2"

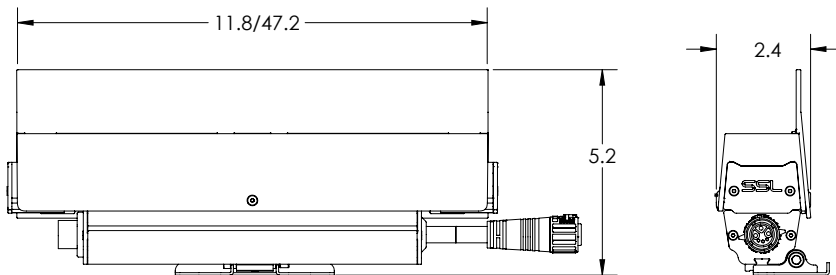
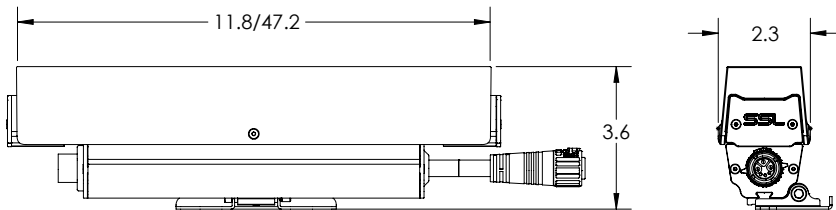


MODEL	B
SC05LZWET	5'
SC10LZWET	10'

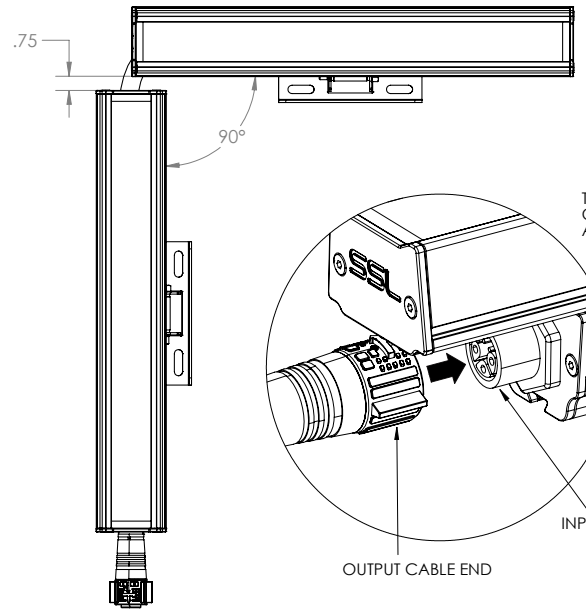


MODEL	C
EC24LZWET	24"
EC60LZWET	60"

LOUVER DIMENSIONS



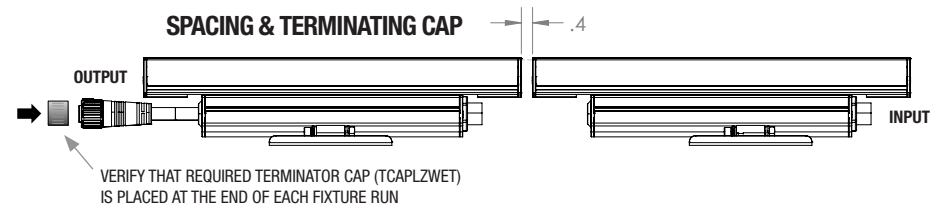
CORNERS & CORD BENDING



TO ADD A SECOND UNIT TO THE CHAIN,
CONNECT ONE MODULE'S CABLE TO
ANOTHER MODULE'S INPUT CONNECTOR
MAKE SURE TO CHECK THE ORIENTATION
OF THE THREE PRONGS ON THE CONNECTORS

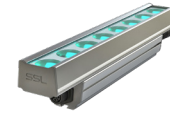
Max Run Length	120V	220V	277V
1' Fixture	43'	86'	99'
4' Fixture	56'	116'	136'

SPACING & TERMINATING CAP



ColourLine™ LazerLine Wet - INSTALLATION and OPERATION INSTRUCTIONS

CAUTION: BEFORE CONNECTING THE FIXTURE TO A POWER SUPPLY, MAKE SURE THE POWER IS SWITCHED OFF.

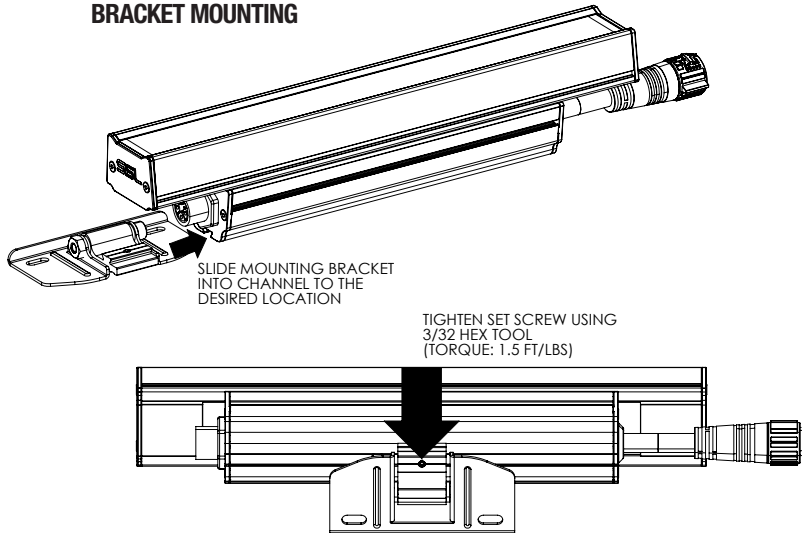


CLZWET

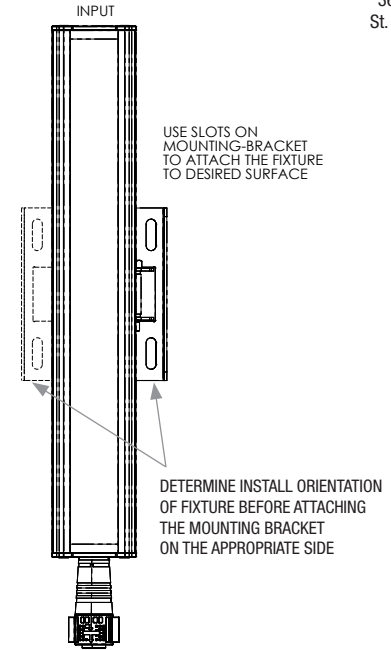
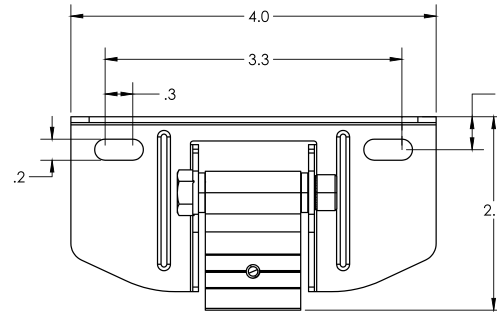


t 800.900.1730
3609 Swenson Ave.
St. Charles, IL 60174

BRACKET MOUNTING

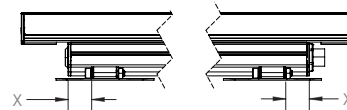
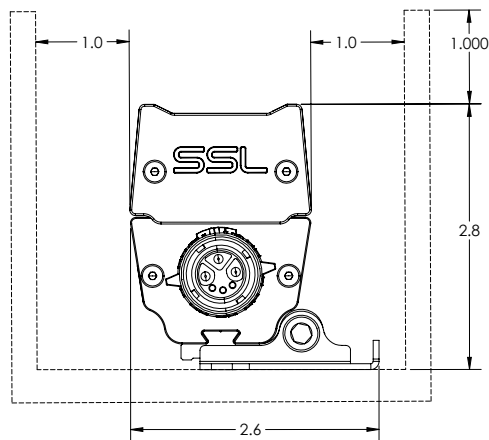


BRACKET FOOTPRINT



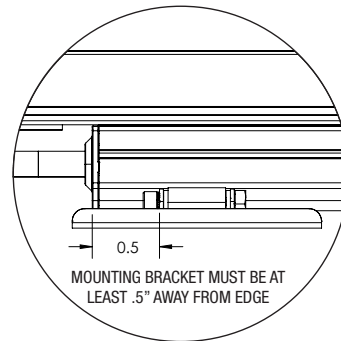
COVE SPACING

UNIT MUST HAVE 1" CLEARANCE

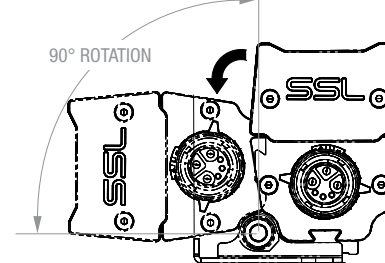


BOTH BRACKETS MUST BE EQUIDISTANT FROM THEIR RESPECTIVE EDGE

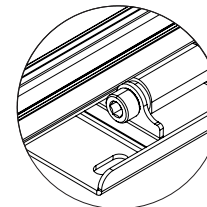
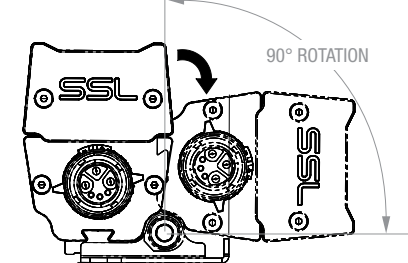
CENTER BRACKET FOR 1 FT FIXTURE



BRACKET MOUNTED LEFT SIDE



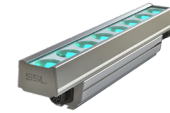
BRACKET MOUNTED RIGHT SIDE



TO CHANGE THE ROTATION ANGLE LOOSEN THE CENTER SCREW WITH A 5MM HEX TOOL ADJUST AND THEN RETIGHTEN. (TORQUE: 3.5 FT/LBS)

ColourLine™ LazerLine Wet - INSTALLATION and OPERATION INSTRUCTIONS

CAUTION: BEFORE CONNECTING THE FIXTURE TO A POWER SUPPLY, MAKE SURE THE POWER IS SWITCHED OFF.



CLZWET

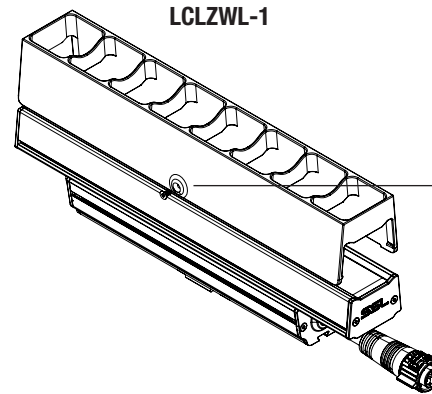
SSL
solid state luminaires

t 800.900.1730
3609 Swenson Ave.
St. Charles, IL 60174

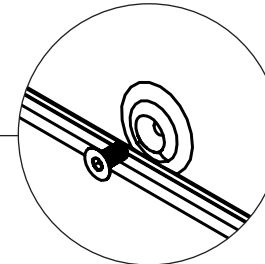
LOUVER INSTALLATION - LCLZWL-1:

1. To field-install the louver, place the louver upon the top of the fixture and firmly press down until it snaps in place.
2. Adjust the louver left-to-right so that each of the louver fins sits between two optical lenses.
3. When the desired position is obtained, use a 2mm Hex Driver to tighten the screws located on both sides of the louver to lock it in place.

NOTE: Multiple segments must be used to louver a four foot long fixture.



LCLZWL-1



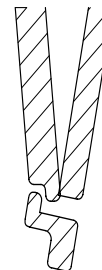
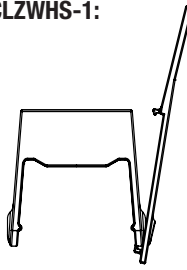
M3x6mm Screw
2mm Hex Driver
1.5 IN/LBS Torque

LOUVER INSTALLATION - LCLZWS-1:

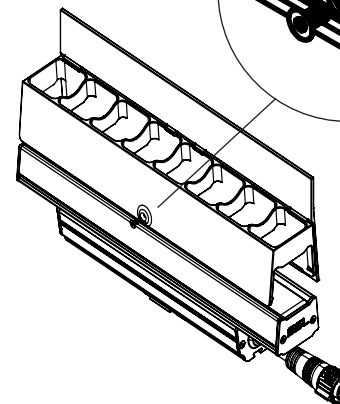
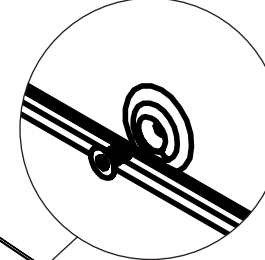
1. Remove the screw located on the side of the louver you wish to add a House-Shield upon.
2. Locate the lip on the underside of the louver's edge. This is most easily done pre-install.
3. Hook the underside of the House-Shield onto the lip.
4. Rotate the House-Shield upward so that it clips onto the top of the louver.
5. To field-install the louver, place the louver upon the top of the fixture and firmly press down until it snaps in place.
6. Adjust the louver left-to-right so that each of the louver fins sits between two optical lenses.
7. Obtain the longer 8mm Screw that was included with the House-Shield. Using a 2mm Hex Driver, install the longer screw on the House-Shield side of the louver.
8. Using the same 2mm Hex Driver, install the 6mm Screw upon the opposite side to secure the louver in place.

NOTE: Multiple segments must be used to louver a four foot long fixture.

LCLZWS-1:

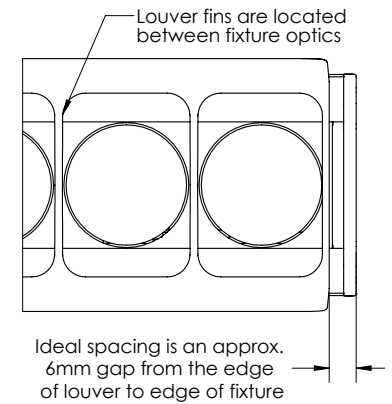


M3x8mm Screw
2mm Hex Driver
1.5 IN/LBS Torque



LOUVER PLACEMENT

CORRECT PLACEMENT



INCORRECT PLACEMENT

