

CLZF (1M Single Module Assembly) - INSTALLATION and OPERATION INSTRUCTIONS

CAUTION: BEFORE CONNECTING THE FIXTURE TO A POWER SUPPLY, MAKE SURE THE POWER IS SWITCHED OFF.



SSL
solid state luminaires

corporate
t (877) SSL-GREEN
f (630) 889-8106
3609 Swenson Ave.
St. Charles, IL 60174

DETAILED ILLUSTRATION

(1M) Single Module Assembly

GENERAL:

1. Before starting the installation, make sure all electricity has been turned off and electrical breaker has been locked out and tagged out.
2. To ensure the success of the installation, be sure to read these instructions and review the diagrams thoroughly before beginning.
3. All electrical connections must be in accordance with local codes, ordinances, or the National Electrical Code.

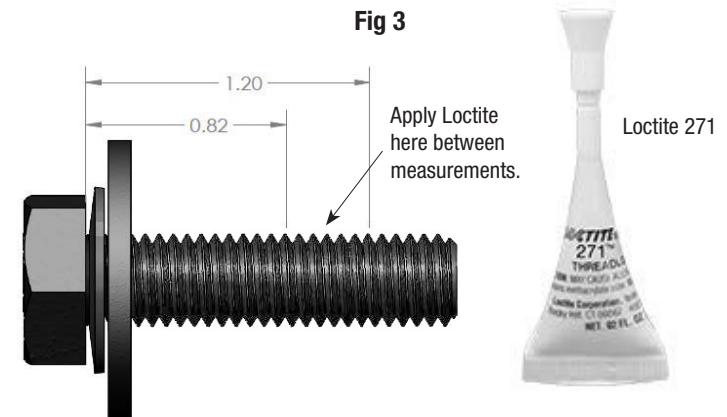
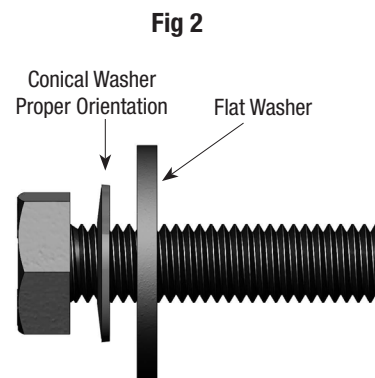
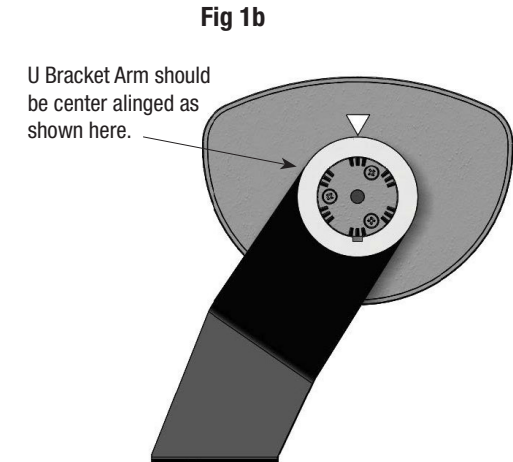
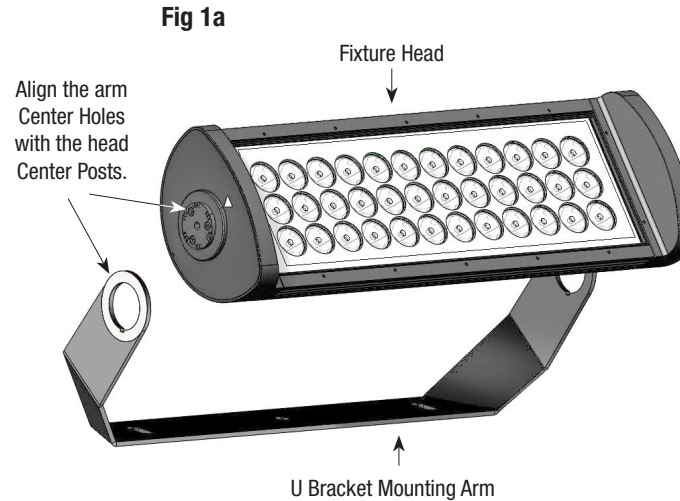
NOTE: The important safeguards and instructions appearing in this manual are not meant to cover all possible conditions and situations that may occur.

INSTALLATION:

Recommended: Due to the weight of the fixture it is recommended to use two installers for safe handling.

- 1) Identify all parts are present for assembly and use a sturdy surface to complete assembly.
- 2) Attach the U shaped mounting bracket to the Lazer head by aligning the openings on each end of the bracket with center posts on each end of the fixture head. Expand the arms open if needed to fit around the ends of the head. See **Fig 1a** and **Fig 1b**
- 3) Prepare end bolts for assembly by placing the Conical Washer on the bolt first and then the Flat Washer. **Fig 2**
- 4) Apply three drops of Loctite adhesive around the Bolt threads between .82" and 1.2". **Fig 3**

continued next page ...



CLZF (1M Single Module Assembly) - INSTALLATION and OPERATION INSTRUCTIONS

CAUTION: BEFORE CONNECTING THE FIXTURE TO A POWER SUPPLY, MAKE SURE THE POWER IS SWITCHED OFF.



SSL
solid state luminaires

corporate
t (877) SSL-GREEN
f (630) 889-8106
3609 Swenson Ave.
St. Charles, IL 60174

DETAILED ILLUSTRATION

(1M) Single Module Assembly

GENERAL:

1. Before starting the installation, make sure all electricity has been turned off and electrical breaker has been locked out and tagged out.
2. To ensure the success of the installation, be sure to read these instructions and review the diagrams thoroughly before beginning.
3. All electrical connections must be in accordance with local codes, ordinances, or the National Electrical Code.

NOTE: The important safeguards and instructions appearing in this manual are not meant to cover all possible conditions and situations that may occur.

INSTALLATION:

- 5) To complete the assembly of the head and U bracket arm, rotate the fixture to point in the desired direction using the arrow on the side of the Fixture Head to consistently aim each fixture being installed. **Fig 4**

NOTE: The End Caps are keyed to fit in the bracket arm and also have teeth to lock them in the 90° vertical position. **Fig 5**

- 6) The 90° position on the End Caps should face straight up. The Bolts can be loosened and tightened as needed to adjust the light direction setting. **Fig 6**

- 7) Using the Bolts with Loctite applied as directed, tighten down the Bolts using a torque value of 30 ft-lb to secure the fixture in position. Loctite will harden after 10 minutes.

- 8) The completed assembly is ready to be bolted down by the bracket arm. Each (1M) Single Module unit weighs around 25 pounds, so use appropriate fasteners to accommodate the weight of the fixture no matter what the final fixture installation orientation may be.

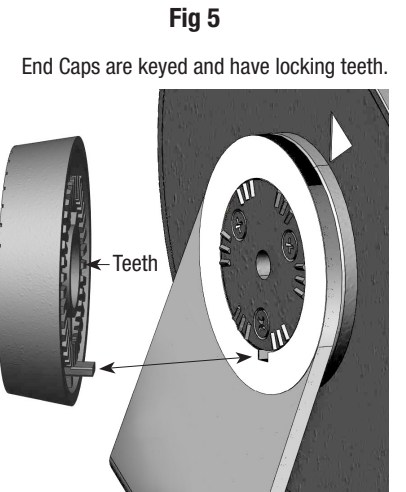
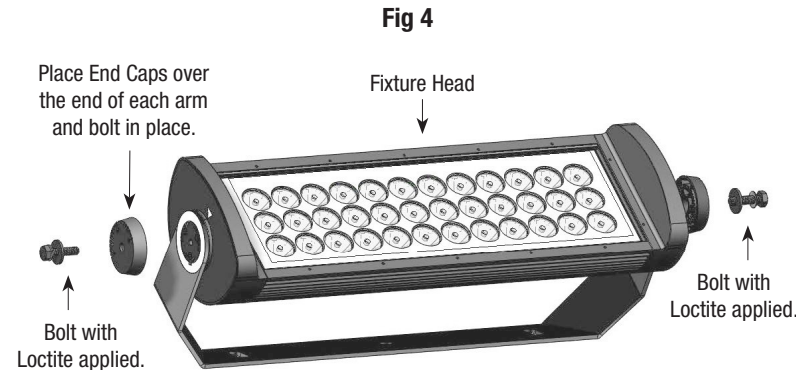
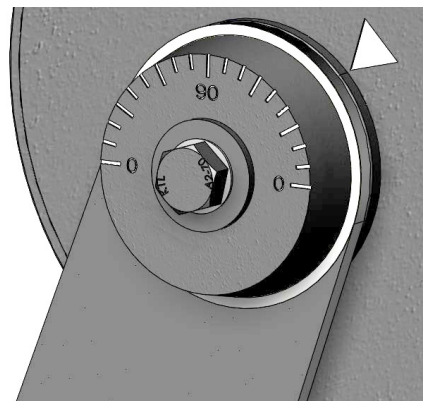
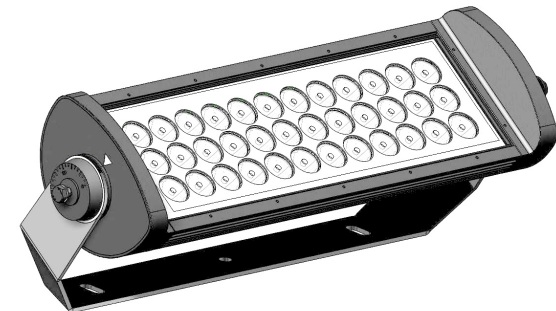


Fig 6

Showing Arrow on Fixture Head and End Cap settings.



Completed Fixture & Bracket Assembly



CLZF (2M Dual Module Assembly) - INSTALLATION and OPERATION INSTRUCTIONS

CAUTION: BEFORE CONNECTING THE FIXTURE TO A POWER SUPPLY, MAKE SURE THE POWER IS SWITCHED OFF.



corporate
t (877) SSL-GREEN
f (630) 889-8106
3609 Swenson Ave.
St. Charles, IL 60174

DETAILED ILLUSTRATION

(2M) Dual Module Assembly

GENERAL:

1. Before starting the installation, make sure all electricity has been turned off and electrical breaker has been locked out and tagged out.
2. To ensure the success of the installation, be sure to read these instructions and review the diagrams thoroughly before beginning.
3. All electrical connections must be in accordance with local codes, ordinances, or the National Electrical Code.

NOTE: The important safeguards and instructions appearing in this manual are not meant to cover all possible conditions and situations that may occur.

INSTALLATION:

IMPORTANT: Requires two people for safe installation due to the weight of the fixture. (2M) Dual Module is around 50 lbs.

- 1) Preassemble the Dual Module (2M) fixture unit before attaching it to the U Bracket mounting arm.
- 2) Layout two fixture heads and place the Dual Module connector arms one on each side. **Fig 1**
- 3) Prepare end bolts for assembly by placing the Conical Washer on the bolt first and then the Flat Washer. **Fig 2**
- 4) Apply three drops of Loctite adhesive around the (4) Bolt threads between .82" and 1.2". **Fig 3**
- 5) Align the holes on the connector arm with the center holes on the each side of the fixtures and fasten them together using the (4) Bolts with Loctite applied. Tighten the Bolts to a torque value of 30 ft-lb. **Fig 4**

continued next page ...

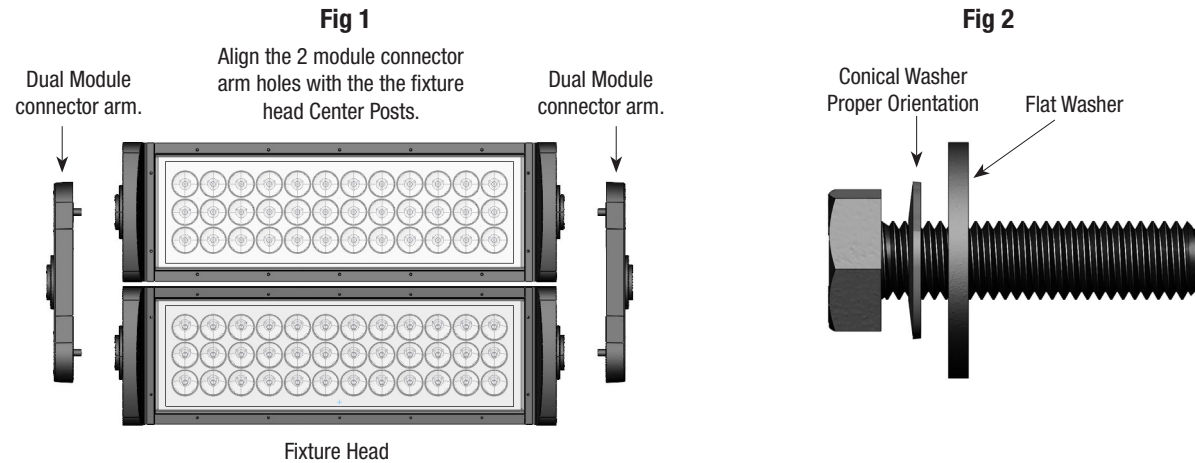


Fig 1

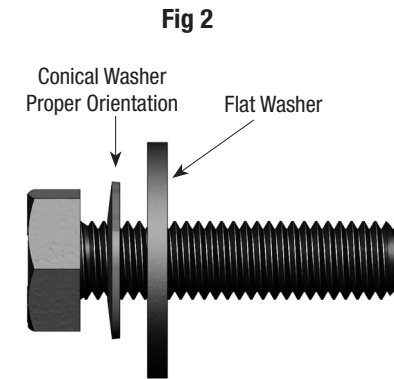


Fig 2

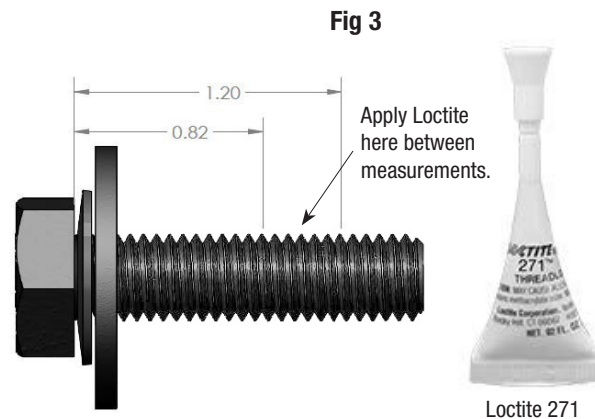


Fig 3

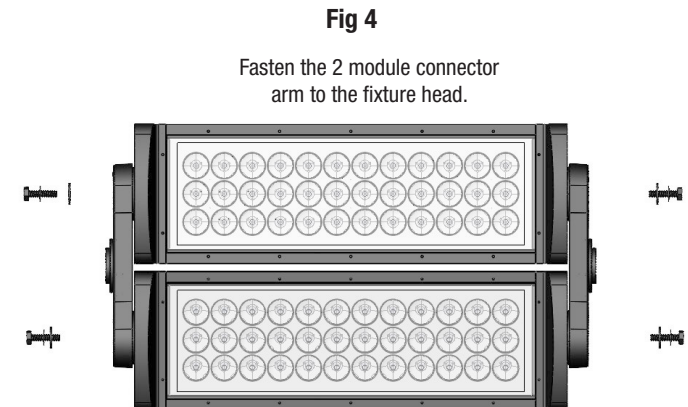


Fig 4

CLZF (2M Dual Module Assembly) - INSTALLATION and OPERATION INSTRUCTIONS

CAUTION: BEFORE CONNECTING THE FIXTURE TO A POWER SUPPLY, MAKE SURE THE POWER IS SWITCHED OFF.



corporate
t (877) SSL-GREEN
f (630) 889-8106
3609 Swenson Ave.
St. Charles, IL 60174

DETAILED ILLUSTRATION

(2M) Dual Module Assembly

GENERAL:

1. Before starting the installation, make sure all electricity has been turned off and electrical breaker has been locked out and tagged out.
2. To ensure the success of the installation, be sure to read these instructions and review the diagrams thoroughly before beginning.
3. All electrical connections must be in accordance with local codes, ordinances, or the National Electrical Code.

NOTE: The important safeguards and instructions appearing in this manual are not meant to cover all possible conditions and situations that may occur.

INSTALLATION:

- 6) To complete the Dual Module (2M) assembly of the head and U bracket arm, place the bracket arm over each end of the connector arm center holes and rotate the connector arms to the desired position. **Fig 5**
- 7) Apply three drops of Loctite adhesive around each of the (2) longer Bolt threads between 1.1" and 1.5". **Fig 6**

NOTE: The End Caps are keyed to fit in the bracket arm and also have teeth to lock them in the 90° vertical position. **Fig 7**

- 8) The 90° position on the End Caps should face straight up. The Bolts can be loosened and tightened as needed to adjust the light direction setting. **Fig 8**

continued next page ...

Dual Module
connector arms.

Fig 5

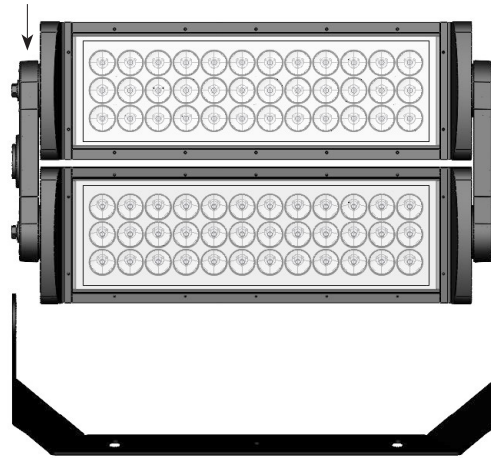


Fig 6

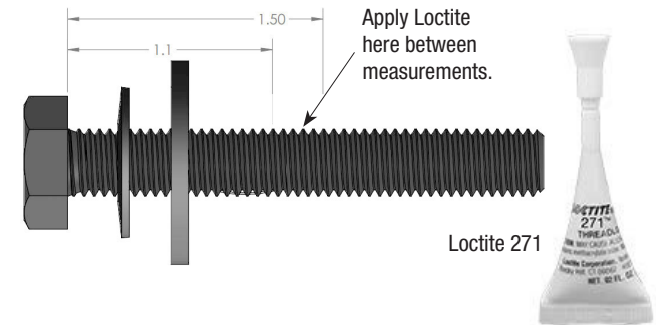


Fig 7

End Caps are keyed and have locking teeth.

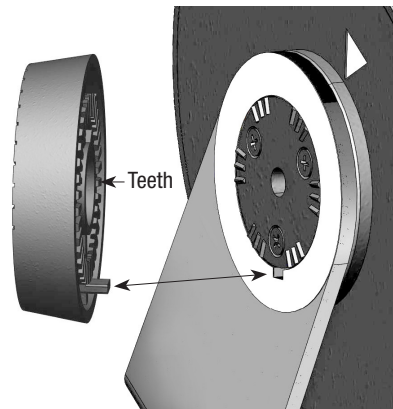
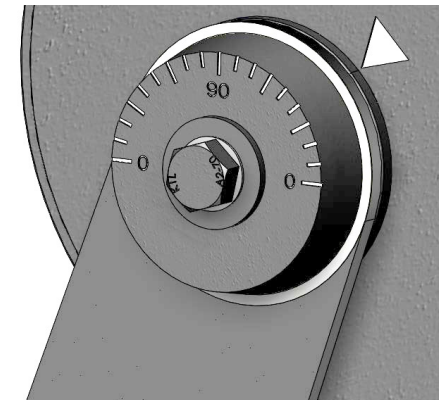


Fig 8

Showing Arrow on Fixture Head and End Cap settings.



CLZF (2M Dual Module Assembly) - INSTALLATION and OPERATION INSTRUCTIONS

CAUTION: BEFORE CONNECTING THE FIXTURE TO A POWER SUPPLY, MAKE SURE THE POWER IS SWITCHED OFF.



corporate
t (877) SSL-GREEN
f (630) 889-8106
3609 Swenson Ave.
St. Charles, IL 60174

DETAILED ILLUSTRATION

(2M) Dual Module Assembly

GENERAL:

1. Before starting the installation, make sure all electricity has been turned off and electrical breaker has been locked out and tagged out.
2. To ensure the success of the installation, be sure to read these instructions and review the diagrams thoroughly before beginning.
3. All electrical connections must be in accordance with local codes, ordinances, or the National Electrical Code.

NOTE: The important safeguards and instructions appearing in this manual are not meant to cover all possible conditions and situations that may occur.

INSTALLATION:

- 9) Prepare the correct order of the (2) longer Bolts, Washers and End Cap assemblies to attach to each side of the fixture module assembly. **Fig 9**
- 10) Start the (2) longer Bolts with Loctite applied as directed, and tighten the Bolts down using a torque value of 30 ft-lb to secure the fixture in position. Loctite will harden after 10 minutes. **Fig 10**
- 11) Light direction can be adjusted at any time by loosening the End Cap Bolts, rotating the fixtures or arms and then retightening the Bolts to 30 ft-lb when done. **Fig 11**
- 10) The completed assembly is ready to be bolted down by the bracket arm. Each (2M) Dual Module unit weighs around 50 pounds, so use appropriate fasteners to accommodate the weight of the fixture no matter what the final fixture installation orientation may be. **Fig 12**

Fig 9

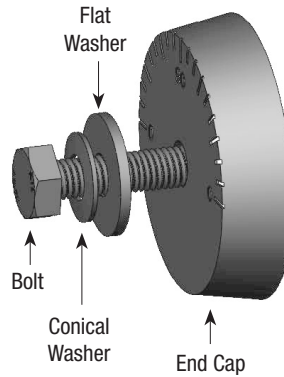


Fig 10

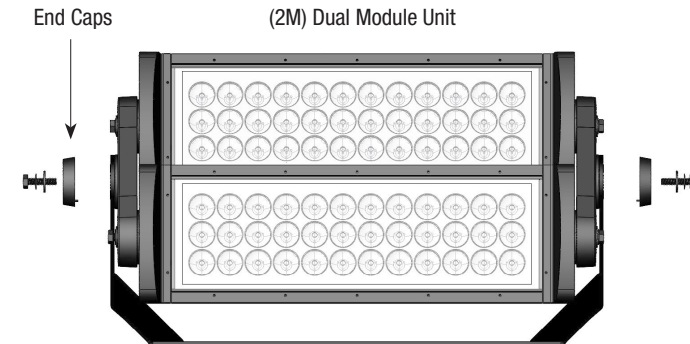


Fig 11

Change light direction by loosening End Caps Bolts.

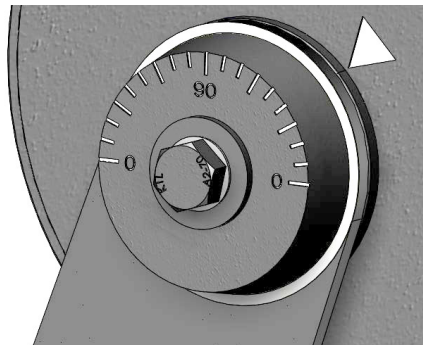
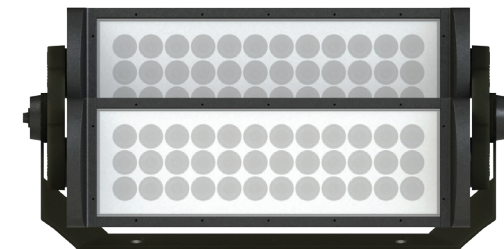


Fig 12

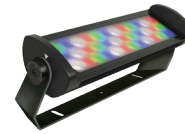
Dual Module (2M)
49 lbs



Completed Fixture & Bracket Assembly

CLZF (3M Three Module Assembly) - INSTALLATION and OPERATION INSTRUCTIONS

CAUTION: BEFORE CONNECTING THE FIXTURE TO A POWER SUPPLY, MAKE SURE THE POWER IS SWITCHED OFF.



corporate
t (877) SSL-GREEN
f (630) 889-8106
3609 Swenson Ave.
St. Charles, IL 60174

DETAILED ILLUSTRATION

(3M) Three Module Assembly

GENERAL:

1. Before starting the installation, make sure all electricity has been turned off and electrical breaker has been locked out and tagged out.
2. To ensure the success of the installation, be sure to read these instructions and review the diagrams thoroughly before beginning.
3. All electrical connections must be in accordance with local codes, ordinances, or the National Electrical Code.

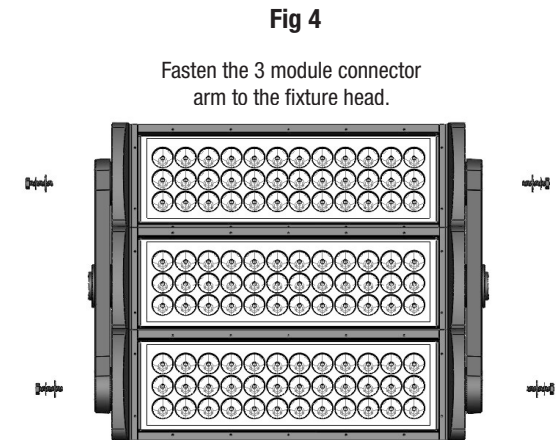
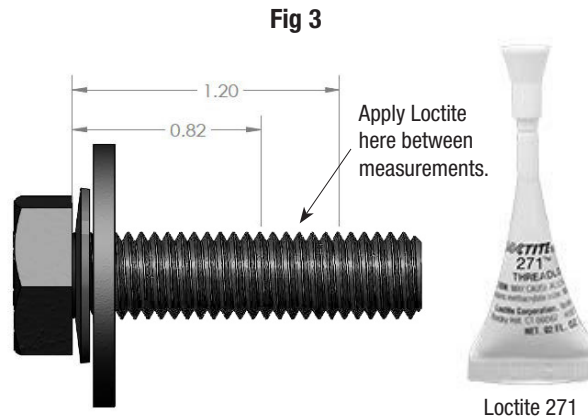
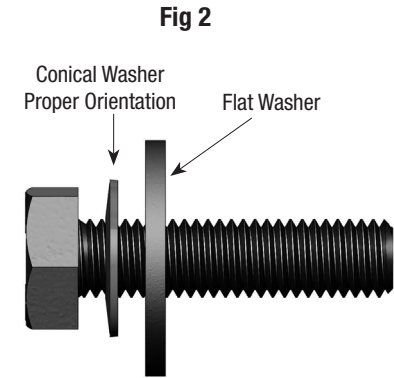
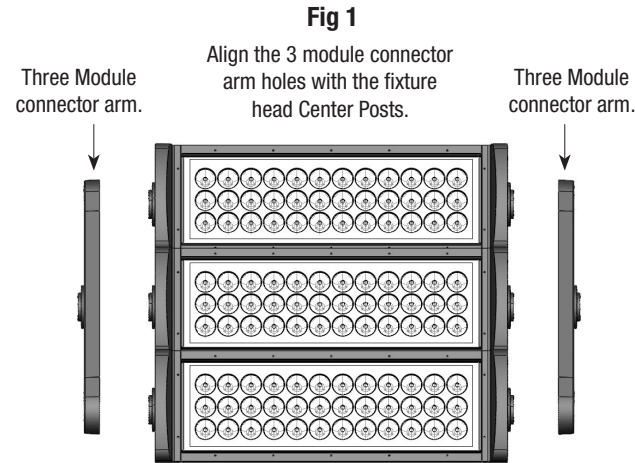
NOTE: The important safeguards and instructions appearing in this manual are not meant to cover all possible conditions and situations that may occur.

INSTALLATION:

IMPORTANT: Requires two people for safe installation due to the weight of the fixture. (3M) Three Module is around 75 lbs.

- 1) Preassemble the Three Module (3M) fixture unit before attaching it to the U Bracket mounting arm.
- 2) Layout three fixture heads and place the Three Module connector arms one on each side. **Fig 1**
- 3) Prepare end bolts for assembly by placing the Conical Washer on the bolt first and then the Flat Washer. **Fig 2**
- 4) Apply three drops of Loctite adhesive around the (4) Bolt threads between .82" and 1.2". **Fig 3**
- 5) Align the holes on the connector arm with the center holes on the each side of the fixtures and fasten them together using the (4) Bolts with Loctite applied. Tighten the Bolts to a torque value of 30 ft-lb. **Fig 4**

continued next page ...



CLZF (3M Three Module Assembly) - INSTALLATION and OPERATION INSTRUCTIONS

CAUTION: BEFORE CONNECTING THE FIXTURE TO A POWER SUPPLY, MAKE SURE THE POWER IS SWITCHED OFF.



corporate
t (877) SSL-GREEN
f (630) 889-8106
3609 Swenson Ave.
St. Charles, IL 60174

DETAILED ILLUSTRATION

(3M) Three Module Assembly

GENERAL:

1. Before starting the installation, make sure all electricity has been turned off and electrical breaker has been locked out and tagged out.
2. To ensure the success of the installation, be sure to read these instructions and review the diagrams thoroughly before beginning.
3. All electrical connections must be in accordance with local codes, ordinances, or the National Electrical Code.

NOTE: The important safeguards and instructions appearing in this manual are not meant to cover all possible conditions and situations that may occur.

INSTALLATION:

- 6) To complete the Three Module (3M) assembly of the head and U bracket arm, place the bracket arm over each end of the connector arm center holes and rotate the connector arms to the desired position. **Fig 5**
- 7) Apply three drops of Loctite adhesive around each of the (2) longer Bolt threads between 1.1" and 1.5". **Fig 6**

NOTE: The End Caps are keyed to fit in the bracket arm and also have teeth to lock them in the 90° vertical position. **Fig 7**

- 8) The 90° position on the End Caps should face straight up. The Bolts can be loosened and tightened as needed to adjust the light direction setting. **Fig 8**

continued next page ...

Three Module connector arms.

Fig 5

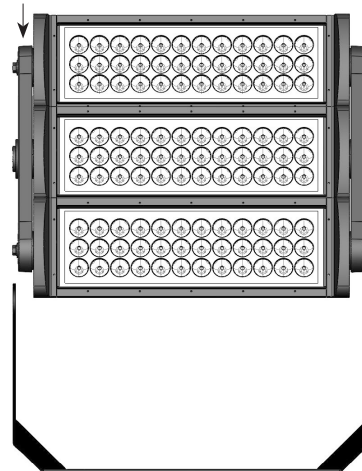


Fig 7

End Caps are keyed and have locking teeth.

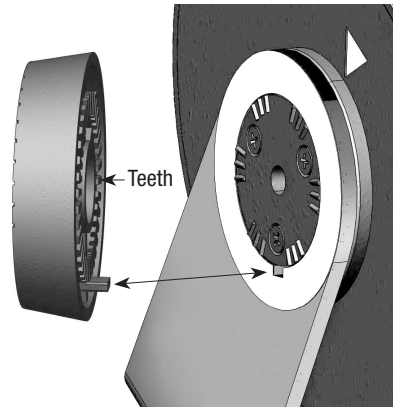


Fig 6

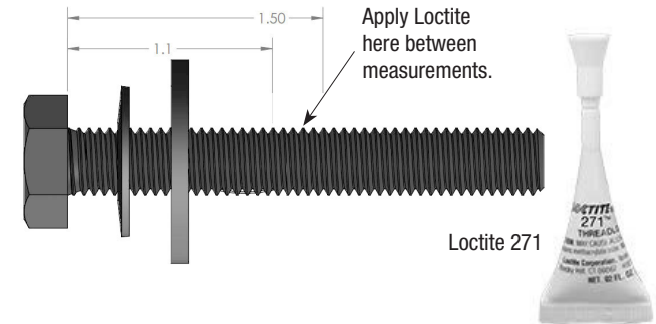
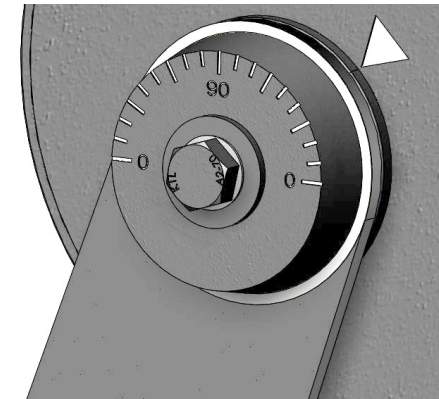


Fig 8

Showing Arrow on Fixture Head and End Cap settings.



CLZF (3M Three Module Assembly) - INSTALLATION and OPERATION INSTRUCTIONS

CAUTION: BEFORE CONNECTING THE FIXTURE TO A POWER SUPPLY, MAKE SURE THE POWER IS SWITCHED OFF.



SSL
solid state luminaires

corporate
t (877) SSL-GREEN
f (630) 889-8106
3609 Swenson Ave.
St. Charles, IL 60174

DETAILED ILLUSTRATION

(3M) Three Module Assembly

GENERAL:

1. Before starting the installation, make sure all electricity has been turned off and electrical breaker has been locked out and tagged out.
2. To ensure the success of the installation, be sure to read these instructions and review the diagrams thoroughly before beginning.
3. All electrical connections must be in accordance with local codes, ordinances, or the National Electrical Code.

NOTE: The important safeguards and instructions appearing in this manual are not meant to cover all possible conditions and situations that may occur.

INSTALLATION:

- 9) Prepare the correct order of the (2) longer Bolts, Washers and End Cap assemblies to attach to each side of the fixture module assembly. **Fig 9**
- 10) Start the (2) longer Bolts with Loctite applied as directed, and tighten the Bolts down using a torque value of 30 ft-lb to secure the fixture in position. Loctite will harden after 10 minutes. **Fig 10**
- 11) Light direction can be adjusted at any time by loosening the End Cap Bolts, rotating the fixtures or arms and then retightening the Bolts to 30 ft-lb when done. **Fig 11**
- 10) The completed assembly is ready to be bolted down by the bracket arm. Each (3M) Three Module unit weighs around 50 pounds, so use appropriate fasteners to accommodate the weight of the fixture no matter what the final fixture installation orientation may be. **Fig 12**

Fig 9

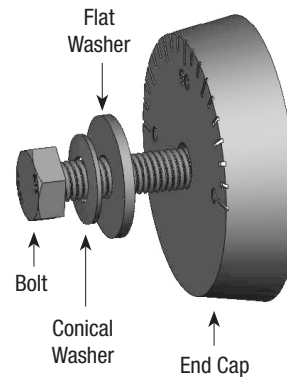


Fig 10

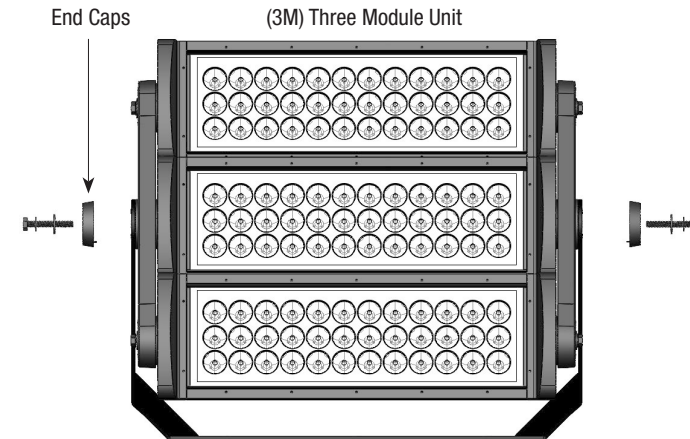


Fig 11

Change light direction by loosening End Caps Bolts.

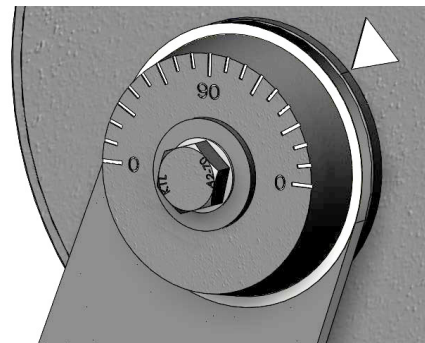


Fig 12

Completed Fixture & Bracket Assembly



Three Module (3M)
70 lbs

CLZF (Fixture Wiring) - INSTALLATION and OPERATION INSTRUCTIONS

CAUTION: BEFORE CONNECTING THE FIXTURE TO A POWER SUPPLY, MAKE SURE THE POWER IS SWITCHED OFF.



SSL
solid state luminaires

corporate
t (877) SSL-GREEN
f (630) 889-8106
3609 Swenson Ave.
St. Charles, IL 60174

DETAILED ILLUSTRATION

ColourLine Lazer - Basic Fixture Wiring

GENERAL:

1. Before starting the installation, make sure all electricity has been turned off and electrical breaker has been locked out and tagged out.
2. To ensure the success of the installation, be sure to read these instructions and review the diagrams thoroughly before beginning.
3. All electrical connections must be in accordance with local codes, ordinances, or the National Electrical Code.

NOTE: The important safeguards and instructions appearing in this manual are not meant to cover all possible conditions and situations that may occur.

INSTALLATION:

- 1) Once the Modules and Bracket Arms have been assembled and bolted into place, the next step is to run power and data lines to and from the fixture modules.
- 2) All connections to and from the modules are made on the bottom of the fixtures. **Fig 1**

IMPORTANT: Max Run Length: **9 Modules (120V)**

REQUIRED: Starter Cable (**SCxxCLZ**) and Terminator Cap (**TCAPDCLZ**) are required for every run.

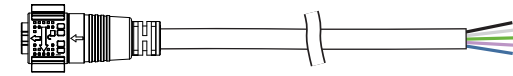
Fig 1 All Connections on Back of Fixture



Connections are made here.
Connect to either side, both
connectors are the same.

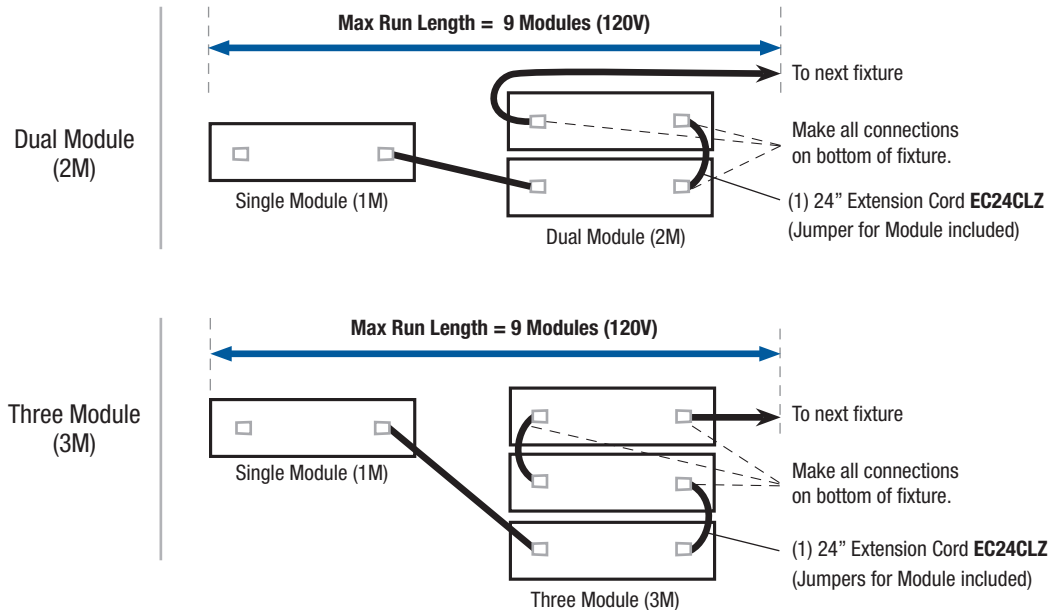
STARTER CORD (SCxxCLZ)

Required Starter Cord comes with a fixture connector at one end and lead wires at the other end for connecting power & data.



EXTENSION CORD (ECxxCLZ)

The Extension Cord comes with a fixture connection at each end for power & data.



ColourLine Lazer RGBW (CLZF) - INSTALLATION and OPERATION INSTRUCTIONS

CAUTION: BEFORE CONNECTING THE FIXTURE TO A POWER SUPPLY, MAKE SURE THE POWER IS SWITCHED OFF.



corporate
t (877) SSL-GREEN
f (630) 889-8106
 3609 Swenson Ave.
 St. Charles, IL 60174

DETAILED ILLUSTRATION

GENERAL:

1. Before starting the installation, make sure all electricity has been turned off and electrical breaker has been locked out and tagged out.
2. To ensure the success of the installation, be sure to read these instructions and review the diagrams thoroughly before beginning.
3. All electrical connections must be in accordance with local codes, ordinances, or the National Electrical Code.

NOTE: The important safeguards and instructions appearing in this manual are not meant to cover all possible conditions and situations that may occur.

INSTALLATION:

- 1) Verify Physical Layout Plan
 - a) Ensure all fixtures, components and wiring hardware are present before starting installation.
 - b) Fasten the fixtures and other components in place.
 - c) Run wire cable and complete connections as indicated in the diagrams to the right.
- 2) All connections to and from the modules are made on the bottom of the fixtures. **Fig 1**

HARDWARE: May include RDM Controller, Exterior Rated Data Line, AC Power Feed, PDX/S box, PDX box, Starter Cords, Terminator Caps, Extension Cables and fixtures.

NOTE: Use Extension Cable when necessary, for corners and extending fixture runs.

IMPORTANT: Max Run Length: **9 Modules (120V)**

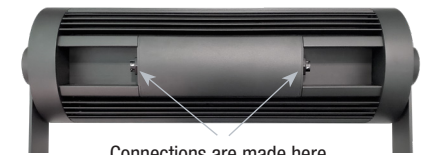
REQUIRED: Starter Cable (**SCxxCLZ**) and Terminator Cap (**TCAPDCLZ**) are required for every run.

ColourLine Lazer - Basic Component Configurations

Component Identification

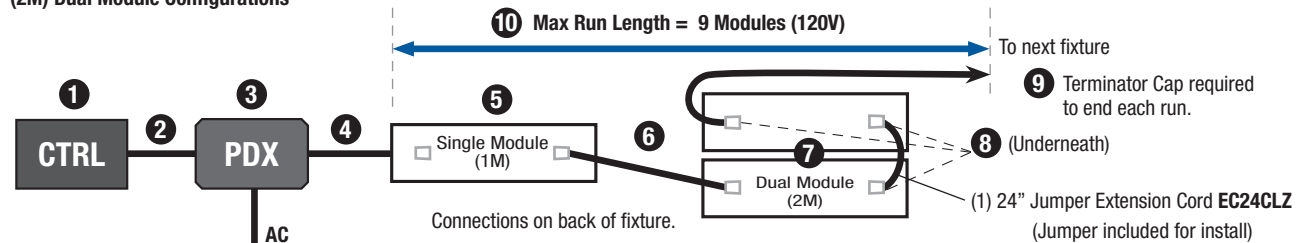
- 1) DMX Color Controller (see last page)
- 2) DMX Data Cable **DXC-xx** or **CD-xx** (CSC only)
- 3) PDX Power Data Wiring Box
- 4) Starter Cord **SCxxCLZ**
- 5) ColourLine Lazer (CLZF)
- 6) Extension Cord **ECxxCLZ** (connect at back of fixture)
- 7) Multi Module ColourLine Lazer (CLZF-XM)
- 8) Extension Cords connect fixtures **ECxxCLZ**
- 9) Terminator Cap **TCAPDCLZ** (required at end of run)
- 10) Max Run Length = 9 Modules (120V), 18 Mods (277V)

Fig 1 Back of Fixture Connections

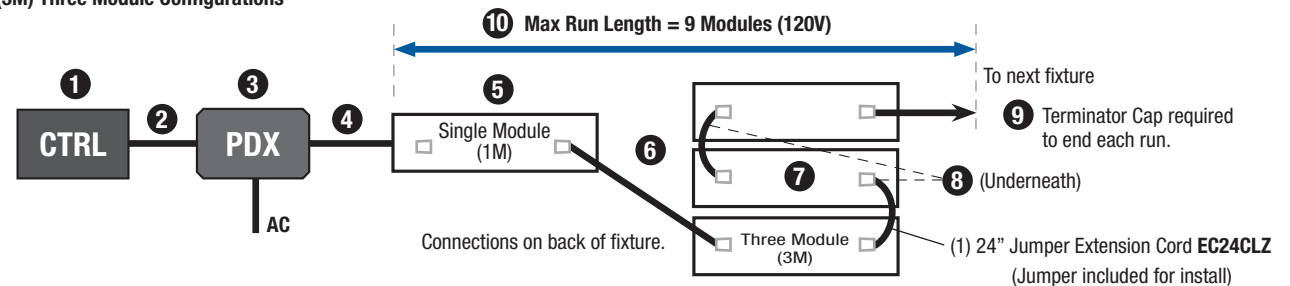


Connections are made here.
 Connect to either side, both connectors are the same.

(2M) Dual Module Configurations



(3M) Three Module Configurations



ColourLine™ Wet (CLWET) - INSTALLATION and OPERATION INSTRUCTIONS

CAUTION: BEFORE CONNECTING THE FIXTURE TO A POWER SUPPLY, MAKE SURE THE POWER IS SWITCHED OFF.



corporate
t (877) SSL-GREEN
f (630) 889-8106
 3609 Swenson Ave.
 St. Charles, IL 60174

DETAILED ILLUSTRATION

CLZF RGBW - Multiple Segment Configuration

GENERAL:

1. Before starting the installation, make sure all electricity has been turned off and electrical breaker has been locked out and tagged out.
2. To ensure the success of the installation, be sure to read these instructions and review the diagrams thoroughly before beginning.
3. All electrical connections must be in accordance with local codes, ordinances, or the National Electrical Code.

NOTE: The important safeguards and instructions appearing in this manual are not meant to cover all possible conditions and situations that may occur.

INSTALLATION:

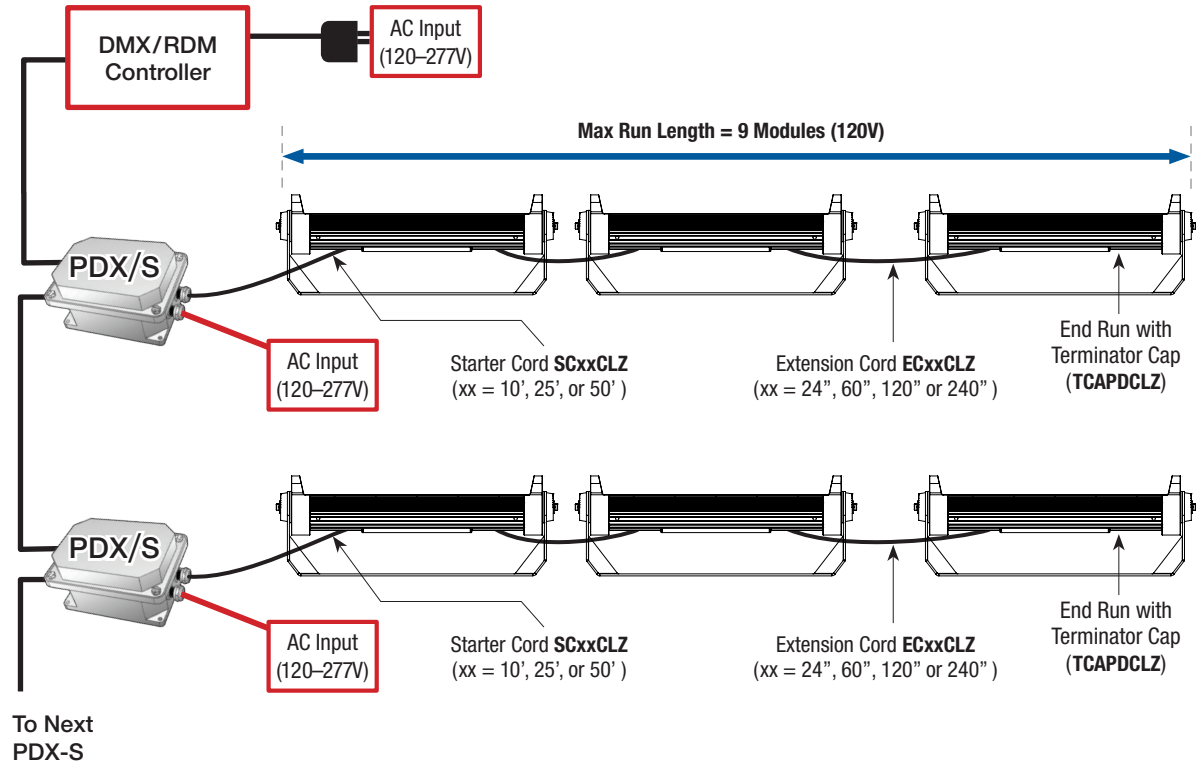
- 1) Verify Physical Layout Plan
 - a) Ensure all hardware is present.
 - b) Ensure all electrical feeds are correctly positioned with all hardware and any other active components.
 - c) Confirm DMX Addressing Plan
 - i. SSL recommends pre-addressing fixtures before mounting installation.
 - ii. Ensure that addressing is documented for future upgrading, configuring or troubleshooting.

HARDWARE: May include RDM Controller, Exterior Rated Data Line, AC Power Feed, PDX/S box, PDX box, Starter Cords, Terminator Caps, Extension Cables and fixtures.

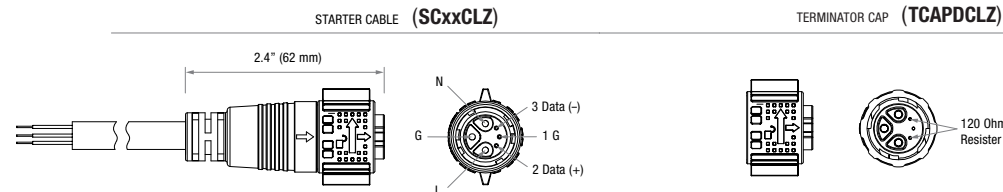
NOTE: Use Extension Cable when necessary, for corners and extending fixture runs.

IMPORTANT: Max Run Length: **9 Modules (120V)**

REQUIRED: Starter Cable (**SCxxCLZ**) and Terminator Cap (**TCAPDCLZ**) are required for every run.

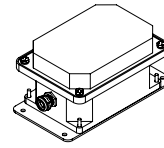


6-PIN CONNECTORS



PDX (Power & Data Box) - INSTALLATION and OPERATION INSTRUCTIONS

CAUTION: BEFORE CONNECTING THE FIXTURE TO A POWER SUPPLY, MAKE SURE THE POWER IS SWITCHED OFF.



corporate
t (877) SSL-GREEN
f (630) 889-8106
3609 Swenson Ave.
St. Charles, IL 60174

DETAILED ILLUSTRATION

GENERAL:

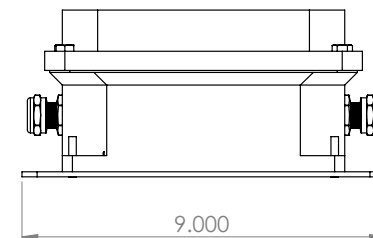
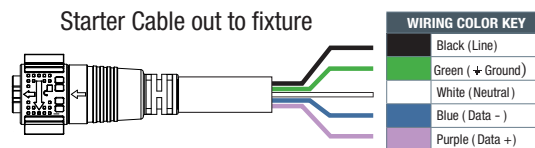
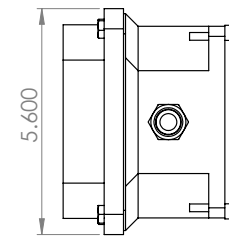
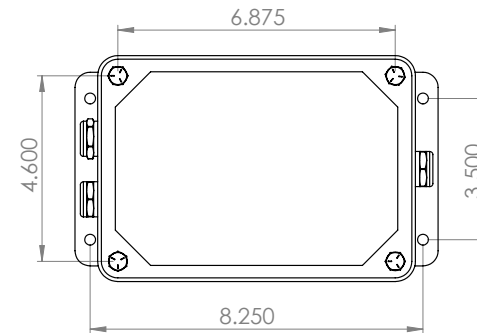
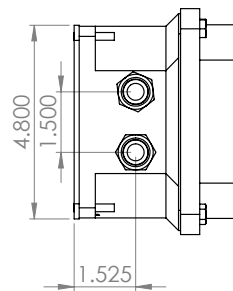
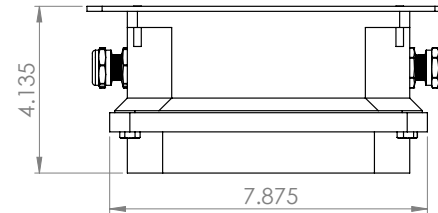
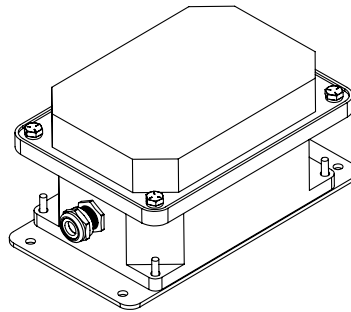
1. Before starting the installation, make sure all electricity has been turned off and electrical breaker has been locked out and tagged out.
2. To ensure the success of the installation, be sure to read these instructions and review the diagrams thoroughly before beginning.
3. All electrical connections must be in accordance with local codes, ordinances, or the National Electrical Code.

NOTE: The important safeguards and instructions appearing in this manual are not meant to cover all possible conditions and situations that may occur.

INSTALLATION:

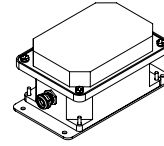
- 1) PDX (Power/Data Box)
 - a) Mount PDX (PDX is exterior rated).
 - b) Complete wiring inside PDX Box.
 - c) Evenly tighten screws to close and seal Box.

NOTE: Use appropriate fasteners for mounting to surface type.



PDX (Power & Data Box) - INSTALLATION and OPERATION INSTRUCTIONS

CAUTION: BEFORE CONNECTING THE FIXTURE TO A POWER SUPPLY, MAKE SURE THE POWER IS SWITCHED OFF.



SSL
solid state luminaires

corporate
t (877) SSL-GREEN
f (630) 889-8106
3609 Swenson Ave.
St. Charles, IL 60174

DETAILED ILLUSTRATION

GENERAL:

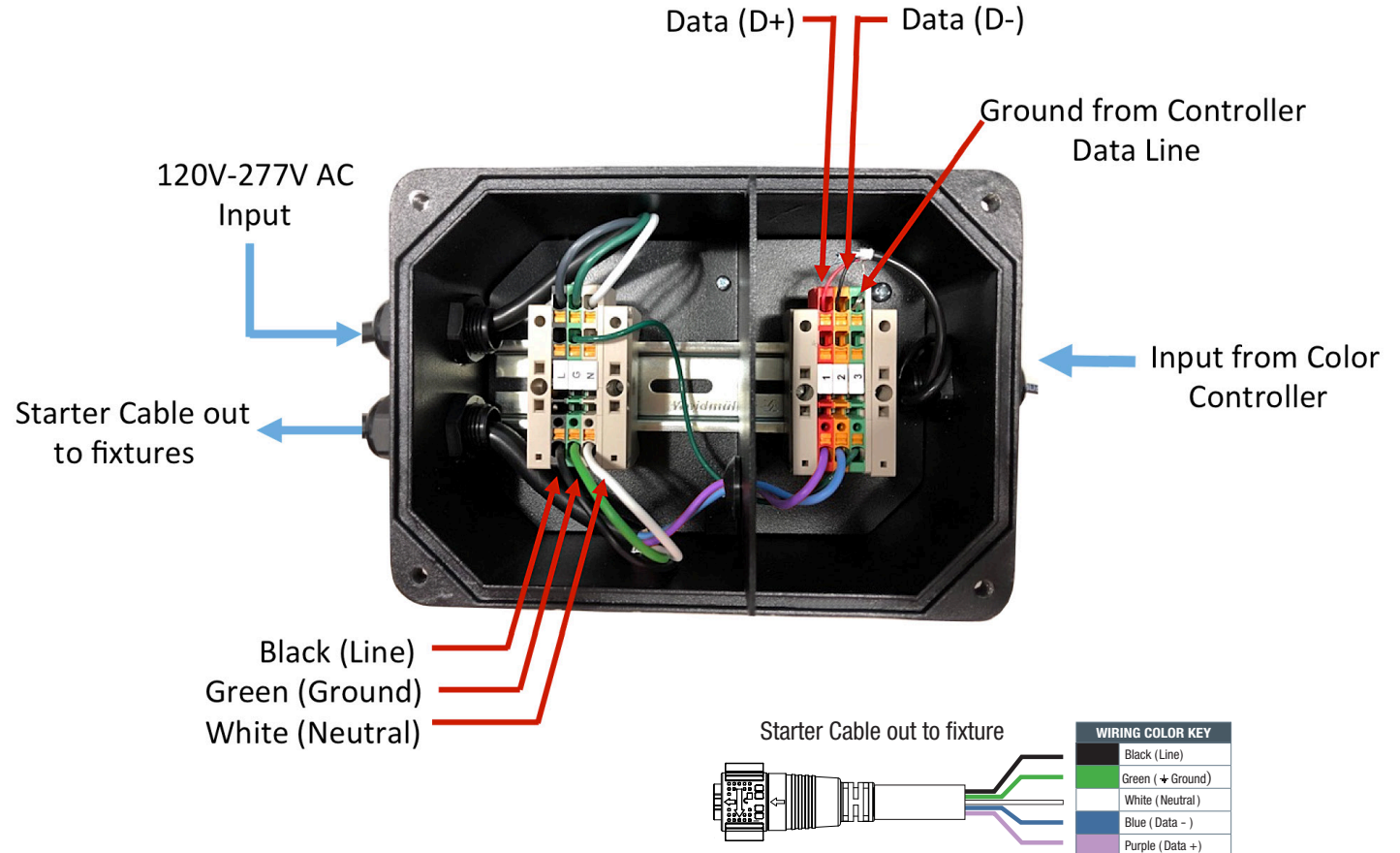
1. Before starting the installation, make sure all electricity has been turned off and electrical breaker has been locked out and tagged out.
2. To ensure the success of the installation, be sure to read these instructions and review the diagrams thoroughly before beginning.
3. All electrical connections must be in accordance with local codes, ordinances, or the National Electrical Code.

NOTE: The important safeguards and instructions appearing in this manual are not meant to cover all possible conditions and situations that may occur.

INSTALLATION:

- 1) PDX (Power/Data Box)
 - a) Mount PDX (PDX is exterior rated).
 - b) Complete wiring inside PDX Box.
 - c) Evenly tighten screws to close and seal Box.

NOTE: Use appropriate fasteners for mounting to surface type.



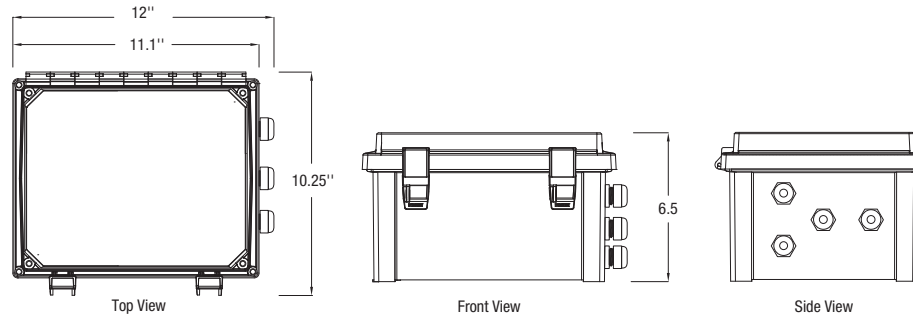
PDX-S (Power & Data Box w/ 2-Port Splitter) - INSTALLATION and OPERATION INSTRUCTIONS

CAUTION: BEFORE CONNECTING THE FIXTURE TO A POWER SUPPLY, MAKE SURE THE POWER IS SWITCHED OFF.



corporate
t (877) SSL-GREEN
f (630) 889-8106
 3609 Swenson Ave.
 St. Charles, IL 60174

DETAILED ILLUSTRATION



GENERAL:

1. Before starting the installation, make sure all electricity has been turned off and electrical breaker has been locked out and tagged out.
2. To ensure the success of the installation, be sure to read these instructions and review the diagrams thoroughly before beginning.
3. All electrical connections must be in accordance with local codes, ordinances, or the National Electrical Code.

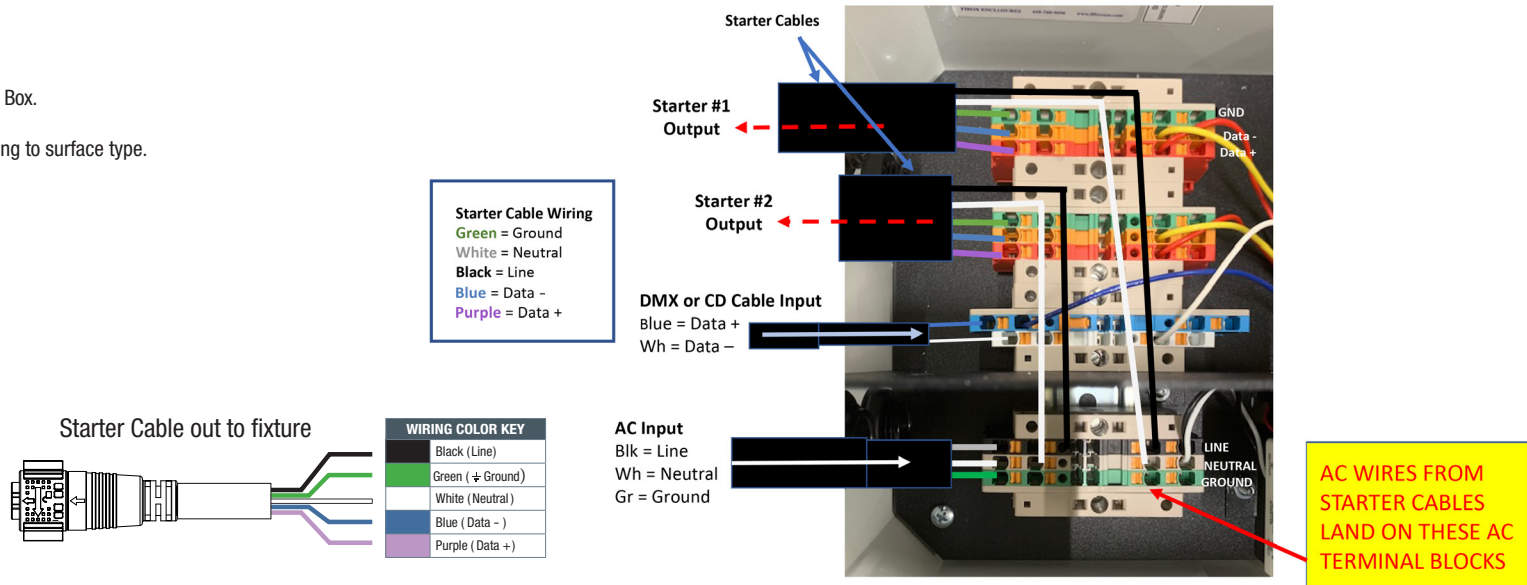
NOTE: The important safeguards and instructions appearing in this manual are not meant to cover all possible conditions and situations that may occur.

INSTALLATION:

- 1) PDX-S (Power/Data Box)
 - a) Mount PDX-S (PDX-S is exterior rated).
 - b) Complete wiring inside PDX-S Box.
 - c) Evenly tighten screws to close and seal Box.

NOTE: Use appropriate fasteners for mounting to surface type.

PDX-S WIRING CONNECTIONS



Lazer Accessories - Full Visor (FV) & Half Visor (HV) - INSTALLATION and OPERATION INSTRUCTIONS

CAUTION: BEFORE CONNECTING THE FIXTURE TO A POWER SUPPLY, MAKE SURE THE POWER IS SWITCHED OFF.



SSL
solid state luminaires

corporate
t (877) SSL-GREEN
f (630) 889-8106
3609 Swenson Ave.
St. Charles, IL 60174

DETAILED ILLUSTRATION

GENERAL:

1. Before starting the installation, make sure all electricity has been turned off and electrical breaker has been locked out and tagged out.
2. To ensure the success of the installation, be sure to read these instructions and review the diagrams thoroughly before beginning.
3. All electrical connections must be in accordance with local codes, ordinances, or the National Electrical Code.

NOTE: The important safeguards and instructions appearing in this manual are not meant to cover all possible conditions and situations that may occur.

INSTALLATION:

FULL VISOR (FV)

- 1) Place the Full Visor over the top of the Lazer fixture and align the (6) holes in the Visor with the six screw holes on the fixture. **Fig 1**
- 2) Fasten the Full Visor down onto the Lazer fixture using the six provided screws. Tighten evenly alternating opposite sides. **Fig 2**

HALF VISOR (FV)

IMPORTANT: Ensure you're installing the Half Visor with the high side on the appropriate side of the fixture for the intended light cutoff.

- 1) Place the Half Visor over the top of the Lazer fixture and align the (6) holes in the Visor with the six screw holes on the fixture. **Fig 1**
- 2) Fasten the Half Visor down onto the Lazer fixture using the six provided screws. Tighten evenly alternating sides. **Fig 2**

Full Visor (FV)

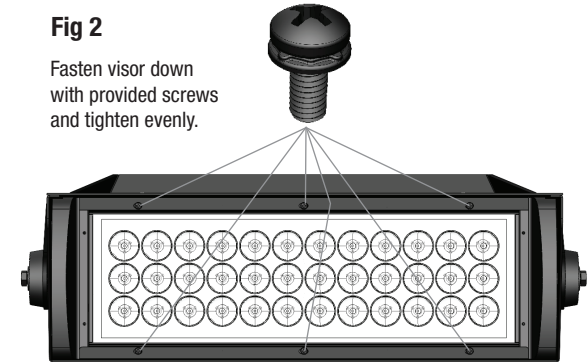
Fig 1

Align (6) holes on visor and fixture.



Fig 2

Fasten visor down with provided screws and tighten evenly.



Half Visor (HV)

Fig 3

Align (6) holes on visor and fixture.

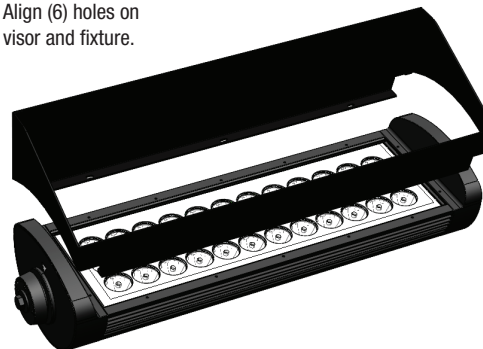
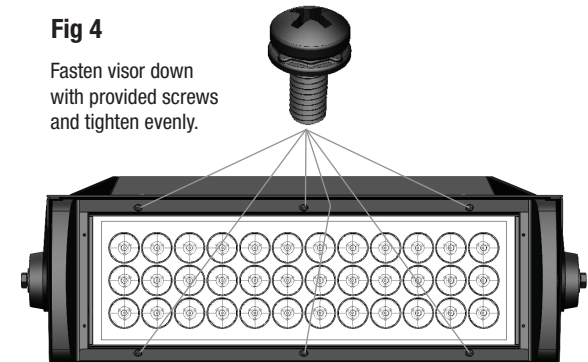


Fig 4

Fasten visor down with provided screws and tighten evenly.



Lazer Accessories - Rock Guard (RG) - INSTALLATION and OPERATION INSTRUCTIONS

CAUTION: BEFORE CONNECTING THE FIXTURE TO A POWER SUPPLY, MAKE SURE THE POWER IS SWITCHED OFF.



SSL
solid state luminaires

corporate
t (877) SSL-GREEN
f (630) 889-8106
3609 Swenson Ave.
St. Charles, IL 60174

DETAILED ILLUSTRATION

GENERAL:

1. Before starting the installation, make sure all electricity has been turned off and electrical breaker has been locked out and tagged out.
2. To ensure the success of the installation, be sure to read these instructions and review the diagrams thoroughly before beginning.
3. All electrical connections must be in accordance with local codes, ordinances, or the National Electrical Code.

NOTE: The important safeguards and instructions appearing in this manual are not meant to cover all possible conditions and situations that may occur.

INSTALLATION:

- 1) Place the Rock Guard over the top of the Lazer fixture and align the (4) holes in the Guard with the four screw holes on the fixture. **Fig 1**
- 2) Use the screw slots to position the Rock Guard on the fixture. **Fig 2**
- 3) Fasten the Rock Guard down onto the Lazer fixture using the four provided screws. Tighten evenly alternating opposite sides. **Fig 3**

Rock Guard (RG)

Fig 1

Align (4) holes on Rock Guard and fixture.

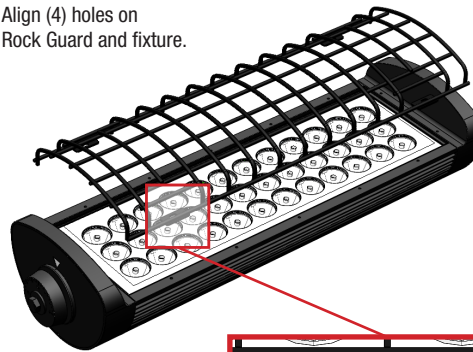


Fig 2

Use screw slots to position Rock Guard on fixture.

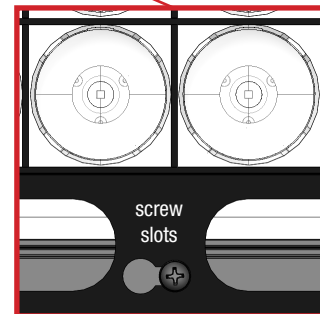
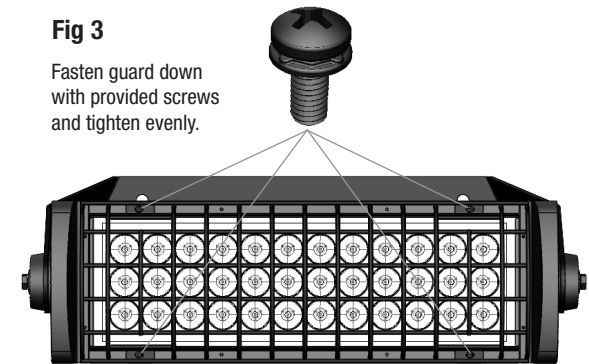


Fig 3

Fasten guard down with provided screws and tighten evenly.



Lazer Accessories - Louver (LVR) - INSTALLATION and OPERATION INSTRUCTIONS

CAUTION: BEFORE CONNECTING THE FIXTURE TO A POWER SUPPLY, MAKE SURE THE POWER IS SWITCHED OFF.



SSL
solid state luminaires

corporate
t (877) SSL-GREEN
f (630) 889-8106
3609 Swenson Ave.
St. Charles, IL 60174

DETAILED ILLUSTRATION

GENERAL:

1. Before starting the installation, make sure all electricity has been turned off and electrical breaker has been locked out and tagged out.
2. To ensure the success of the installation, be sure to read these instructions and review the diagrams thoroughly before beginning.
3. All electrical connections must be in accordance with local codes, ordinances, or the National Electrical Code.

NOTE: The important safeguards and instructions appearing in this manual are not meant to cover all possible conditions and situations that may occur.

INSTALLATION:

- 1) Place the Louver over the top of the Lazer fixture and align the (6) holes in the Louver with the four screw holes on the fixture. **Fig 1**
- 2) Use the screw slots to position the Louver on the fixture. **Fig 2**
- 3) Fasten the Louver down onto the Lazer fixture using the six provided screws. Tighten evenly alternating opposite sides. **Fig 3**

Louver (LVR)

Fig 1

Align (6) holes on Louver and fixture.

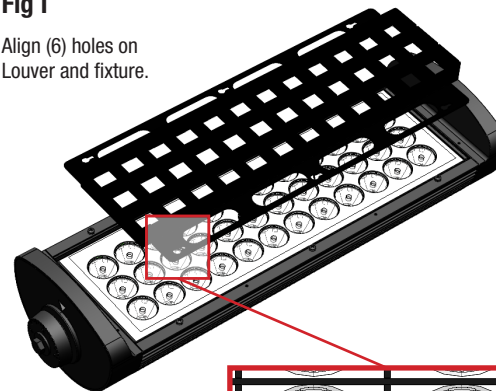


Fig 2

Use screw slots to position Rock Guard on fixture.

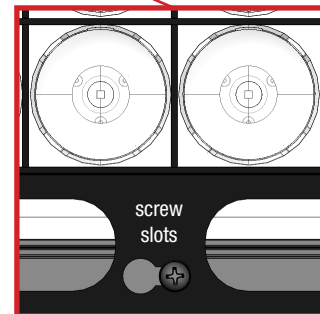
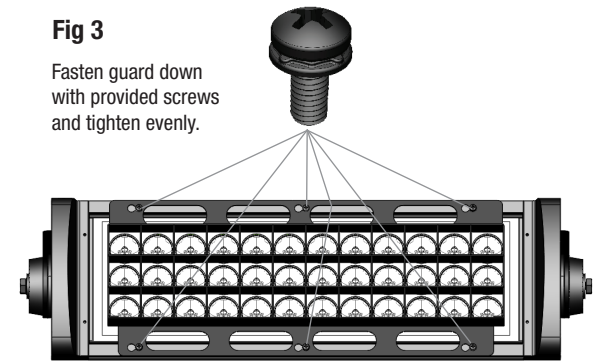


Fig 3

Fasten guard down with provided screws and tighten evenly.



Lazer Accessories - Spread Lens Holder (SPH) - INSTALLATION and OPERATION INSTRUCTIONS

CAUTION: BEFORE CONNECTING THE FIXTURE TO A POWER SUPPLY, MAKE SURE THE POWER IS SWITCHED OFF.



SSL
solid state luminaires

corporate
t (877) SSL-GREEN
f (630) 889-8106
3609 Swenson Ave.
St. Charles, IL 60174

DETAILED ILLUSTRATION

GENERAL:

1. Before starting the installation, make sure all electricity has been turned off and electrical breaker has been locked out and tagged out.
2. To ensure the success of the installation, be sure to read these instructions and review the diagrams thoroughly before beginning.
3. All electrical connections must be in accordance with local codes, ordinances, or the National Electrical Code.

NOTE: The important safeguards and instructions appearing in this manual are not meant to cover all possible conditions and situations that may occur.

INSTALLATION:

- 1) Place the Spread Lens Holder over the top of the Lazer fixture and align the (6) holes in the Spread Lens Holder with the six screw holes on the fixture. **Fig 1**
- 2) Fasten the Spread Lens Holder down onto the Lazer fixture using the six flat head screws provided. The SPH screw holes are countersunk so the screw heads finish flush to the lens holder. Tighten evenly alternating opposite sides. **Fig 2**

Spread Lens Holder (SPH)

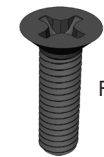
Fig 1

Align (6) holes on
Louver and fixture.

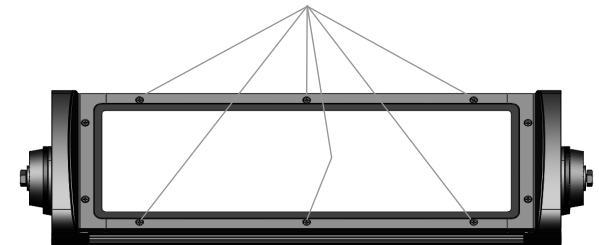


Fig 2

Fasten guard down
with provided screws
and tighten evenly.



Flat Head Screws (6)



Lazer Combined Accessories - Half Visor (HV) on Spread Lens Holder (SPH) - INSTALLATION

CAUTION: BEFORE CONNECTING THE FIXTURE TO A POWER SUPPLY, MAKE SURE THE POWER IS SWITCHED OFF.



corporate
t (877) SSL-GREEN
f (630) 889-8106
3609 Swenson Ave.
St. Charles, IL 60174

DETAILED ILLUSTRATION

GENERAL:

1. Before starting the installation, make sure all electricity has been turned off and electrical breaker has been locked out and tagged out.
2. To ensure the success of the installation, be sure to read these instructions and review the diagrams thoroughly before beginning.
3. All electrical connections must be in accordance with local codes, ordinances, or the National Electrical Code.

NOTE: The important safeguards and instructions appearing in this manual are not meant to cover all possible conditions and situations that may occur.

INSTALLATION:

SPREAD LENS HOLDER (SPH)

- 1) The Spread Lens Holder (SPH) will attach first, then the Half Visor (HV) attaches onto it. **Fig 1**
- 2) Fasten the Spread Lens Holder down onto the Lazer fixture using (4) flat head screws provided. Use the two screw holes located at each end of the top of the fixture. The SPH screw holes are countersunk so the screw heads finish flush to the lens holder. Tighten evenly alternating opposite sides. **Fig 2**

HALF VISOR (HV)

IMPORTANT: Ensure you're installing the Half Visor with the high side on the appropriate side of the fixture for the intended light cutoff.

- 1) Place the Half Visor over the top of the Spread Lens Holder and align the (6) holes in the Visor with screw holes in the Spread Lens. **Fig 3**
- 2) Fasten the Half Visor down onto the Lazer fixture using the (6) Pan Head Screws provided. Tighten evenly alternating sides. **Fig 3**

Half Visor (HV) on Spread Lens Holder (SPH)

Fig 1

Spread Lens Holder attaches to fixture first, then add the Half Visor accessory.



Fig 2

Fasten Lens Holder screws using the two holes at each end of the fixture.

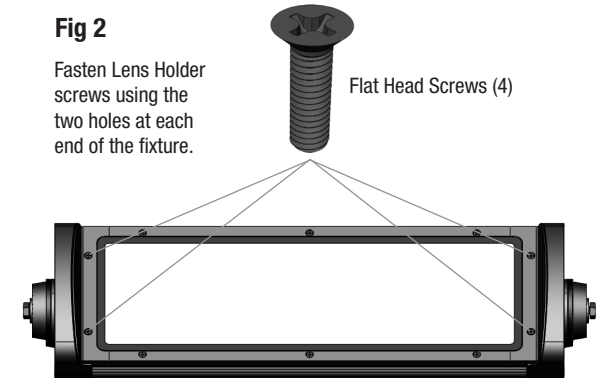
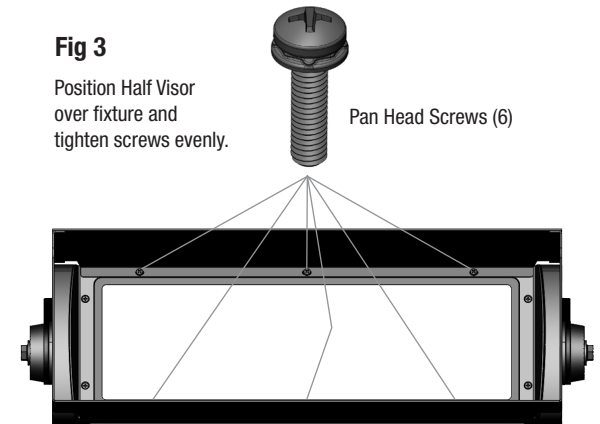


Fig 3

Position Half Visor over fixture and tighten screws evenly.



Lazer Combined Accessories - Rock Guard (RG) on Half Visor (HV) - INSTALLATION

CAUTION: BEFORE CONNECTING THE FIXTURE TO A POWER SUPPLY, MAKE SURE THE POWER IS SWITCHED OFF.



SSL
solid state luminaires

corporate
t (877) SSL-GREEN
f (630) 889-8106
3609 Swenson Ave.
St. Charles, IL 60174

DETAILED ILLUSTRATION

GENERAL:

1. Before starting the installation, make sure all electricity has been turned off and electrical breaker has been locked out and tagged out.
2. To ensure the success of the installation, be sure to read these instructions and review the diagrams thoroughly before beginning.
3. All electrical connections must be in accordance with local codes, ordinances, or the National Electrical Code.

NOTE: The important safeguards and instructions appearing in this manual are not meant to cover all possible conditions and situations that may occur.

INSTALLATION:

IMPORTANT: Ensure you're installing the Half Visor with the high side on the appropriate side of the fixture for the intended light cutoff.

- 1) Place the Half Visor (HV) on top of the fixture first, then the Rock Guard (RG) fits down inside the top of the Visor. **Fig 1**
- 2) Align the holes of the Rock Guard and Visor with the screw holes on the fixture and fasten them down together onto the Lazer fixture using (4) pan head screws provided. Use the two screw holes located at each end of the top of the fixture. Tighten evenly alternating opposite sides. **Fig 2**

Rock Guard (RG) on Half Visor (HV)

Fig 1

Place Half Visor on the fixture first, then add Rock Guard accessory.

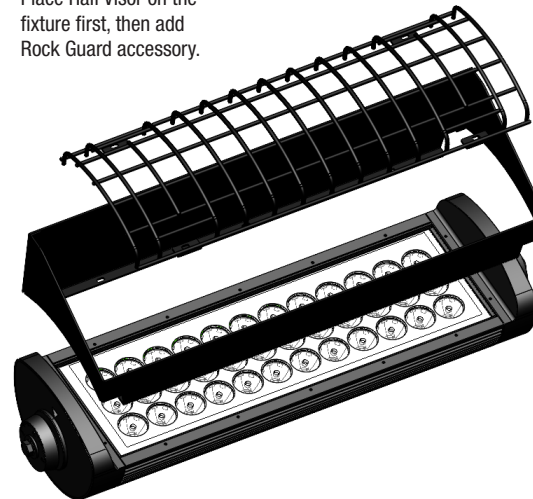
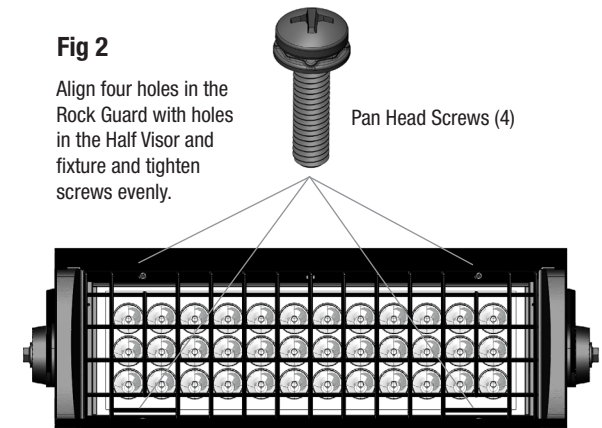


Fig 2

Align four holes in the Rock Guard with holes in the Half Visor and fixture and tighten screws evenly.



Lazer Combined Accessories - Half Visor (HV) w/ Louver (LVR) on Spread Lens Holder (SPH) - INSTALLATION

CAUTION: BEFORE CONNECTING THE FIXTURE TO A POWER SUPPLY, MAKE SURE THE POWER IS SWITCHED OFF.



corporate
t (877) SSL-GREEN
f (630) 889-8106
3609 Swenson Ave.
St. Charles, IL 60174

DETAILED ILLUSTRATION

GENERAL:

1. Before starting the installation, make sure all electricity has been turned off and electrical breaker has been locked out and tagged out.
2. To ensure the success of the installation, be sure to read these instructions and review the diagrams thoroughly before beginning.
3. All electrical connections must be in accordance with local codes, ordinances, or the National Electrical Code.

NOTE: The important safeguards and instructions appearing in this manual are not meant to cover all possible conditions and situations that may occur.

INSTALLATION:

NOTICE: When using the Spread Lens Holder accessory it fastens to the fixture first, then any other accessories go on top of it.

- 1) Align the two screw holes at each end of the Spread Lens Holder (SPH) with the screw holes at each end of the fixture and fasten them down using (4) Flat Head Screws provided. Tighten evenly alternating opposite sides. **Fig 2**
- 2) Now place the Louver (LVR) on top of the holder and fixture. **Fig 3**
- 3) Then place the Half Visor (HV) on top of the Rock Guard (RG). **Fig 4**

IMPORTANT: Ensure you're installing the Half Visor with the high side on the appropriate side of the fixture for the intended light cutoff.

- 4) Align the six screw holes on the Half Visor with the screw holes on the Louver and Lens Holder then fasten them down together onto the Lazer fixture using (6) pan head screws provided. Tighten evenly alternating opposite sides. **Fig 4**

Half Visor (HV) w/ Louver (LVR) on Spread Lens Holder (SPH)

Fig 1

Place Spread Lens Holder on the fixture first, then add the Louver and Half Visor accessories.



Fig 3

Position Louver (LVR) over fixture and tighten screws evenly.

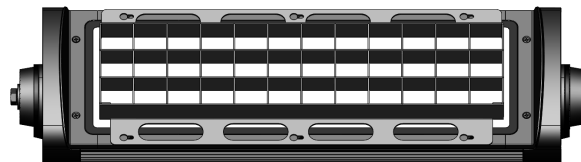


Fig 2

Fasten Lens Holder with screws provided using the two holes at each end of the fixture.

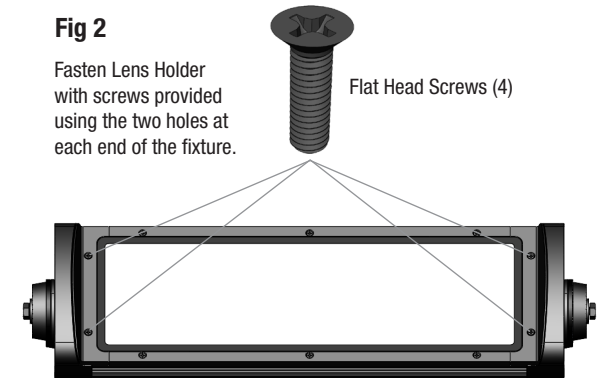


Fig 4

Position Half Visor over Louver, align holes, tighten screws evenly.

