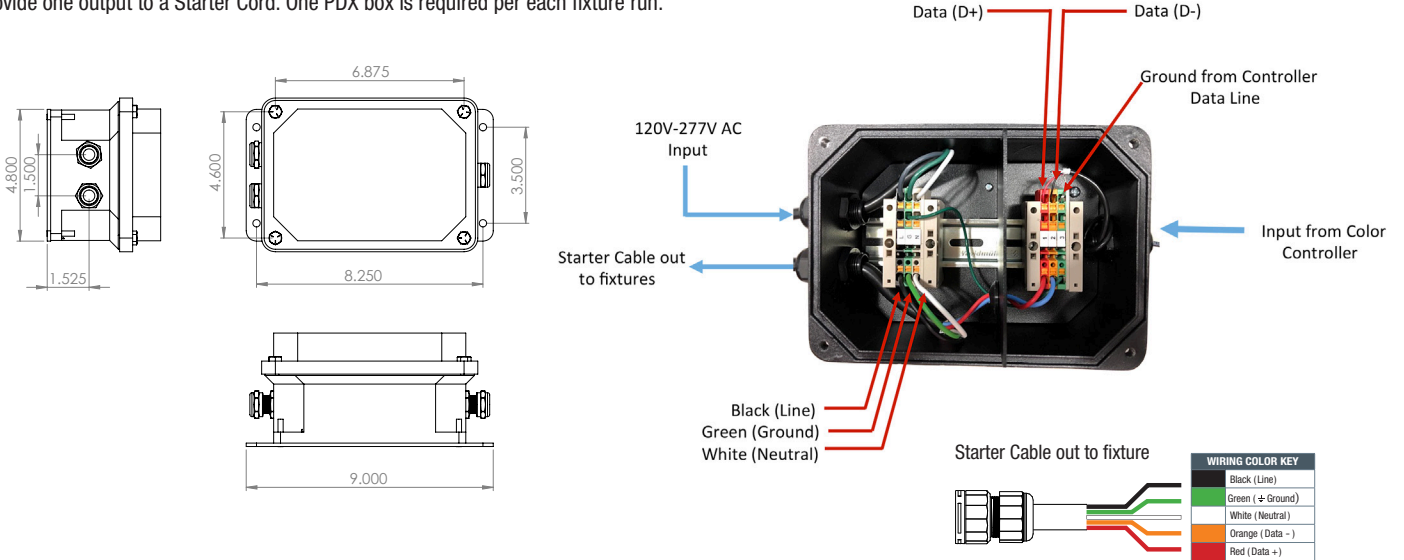


Control Components

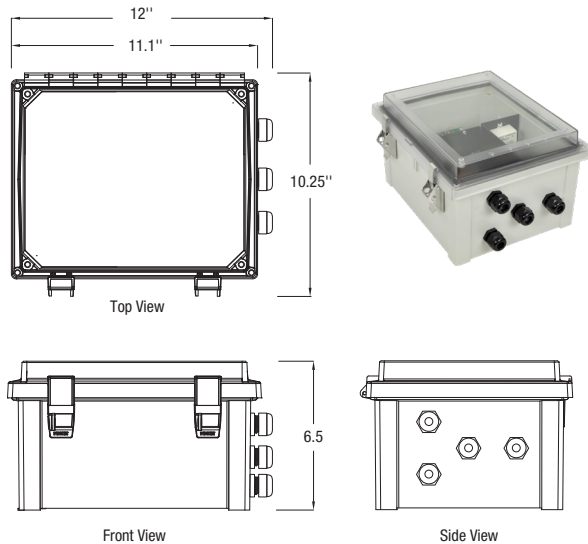
PDX - POWER DATA WIRING BOX (ONE PDX REQUIRED PER RUN)

The PDX is an exterior-rated enclosure that consolidates multiple input sources into one output to the CLWET fixtures. Data input from the RDM Color controller and AC input combine to provide one output to a Starter Cord. One PDX box is required per each fixture run.



PDX-S - POWER DATA WIRING BOX - WITH 2-PORT SPLITTER

The PDX-S is an exterior-rated enclosure with a transparent, hinged cover that latches and seals using a formed in place PUR gasket and a stainless steel hinge pin. It consolidates multiple input sources into two outputs to the CLWET fixtures. Data input from the RDM Color controller and AC input combine to provide output to two Starter Cords.



Connector Identification

- 1) AC Input (Line power)
- 2) DMX Data Cable **DXC-xx** or **CD-xx** (CSC only)
- 3) Starter Cord **SCxxCLW** one
- 4) Starter Cord **SCxxCLW** two



Due to continuous development and improvements, specifications are subject to change without notice. Solid State Luminaires reserves the right to change lab test details or specifications without notice. Product use certifies agreement to Solid State Luminaires terms and conditions.