

ColourLine Lazer

— RGBW —

Part of our **LAZER**
series



SSL 
solid state luminaires

US Commercial Lighting Manufacturer

How do you graze a 600, 800
or 1,000 foot building ... or higher?

ColourLine Lazer

RGBW



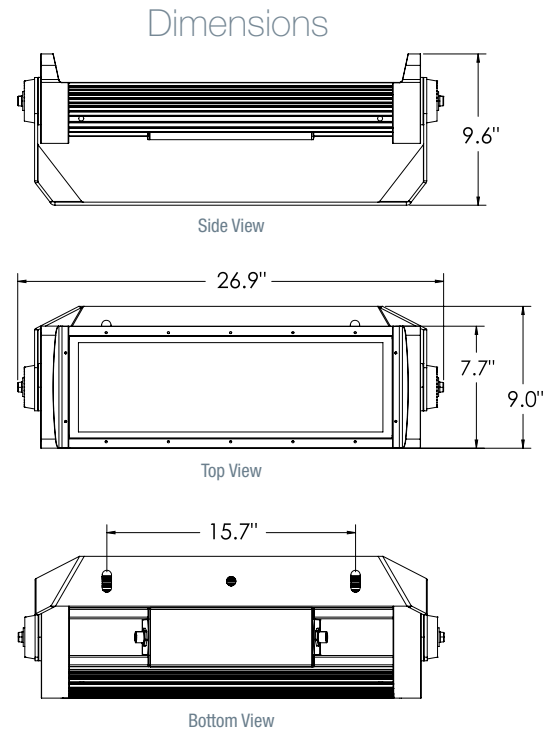
LAZER
series

The ColourLine Lazer is part of our Lazer Series. This series was developed to showcase our high performance, super optic luminaires that have long-casting grazer, wall wash, flood and spot flood capabilities.

ColourLine Lazer

Features

- Long casting spot, flood, graze & wall wash
- Super-Optic system with multiple beam angles
- IP66 Exterior rated for extreme conditions
- DMX 512, RDM based control system (ANSI E1.20)
- Sturdy construction and heavy-duty mounting yoke
- Adjustable, incremental beam direction setting
- Rock guard, anti-glare louver and visors
- Anti-reflective tempered glass lens (IK08 Impact Rating)
- Vibration resistant compliant with 3G ANSI C136.31
- Expandable Modular System (up to 3 modules)
- Supported by full integration system components
- Universal input voltage 120-277V AC
- Latest ESTA RDM and ACN standard
- RGBW - 4.6 billion color range
- RGBA - Amber warmth in lighter color range
- RGBW-TW - RGBW & Tuneable White in one

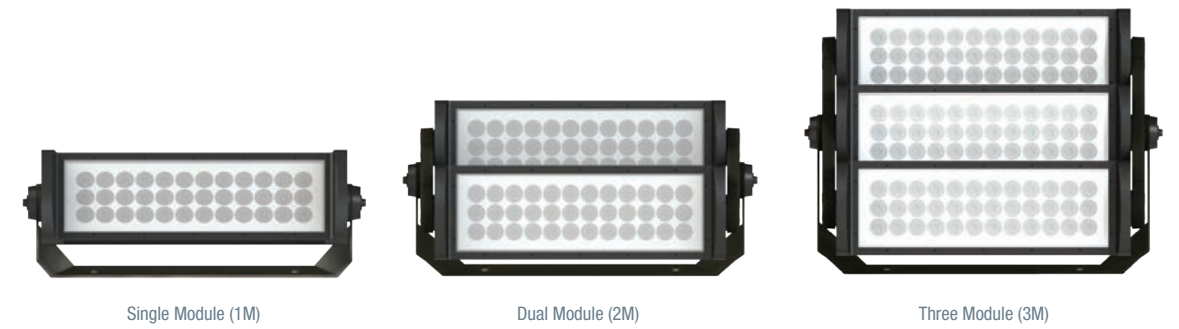


CLZF-1M
Single Module

Component Identification

- 1) Color Controller unit
- 2) DMX Data Cable **DXC-xx** or **CD-xx** (CSC only)
- 3) PDX Power Data Wiring Box
- 4) Starter Cord **SCxxCLZ**
- 5) ColourLine Lazer (CLZF)
- 6) Extension Cord **ECxxCLZ** (connect at back of fixture)
- 7) Dual Module ColourLine Lazer (CLZF-2M)
- 8) Extension Cords connect fixtures **ECxxCLZ**
- 9) Terminator Cap **TCAPDCLZ** (required at end of run)
- 10) Max Run Length = 13 Units

Modular System



Spread Lens Holder (SPH)

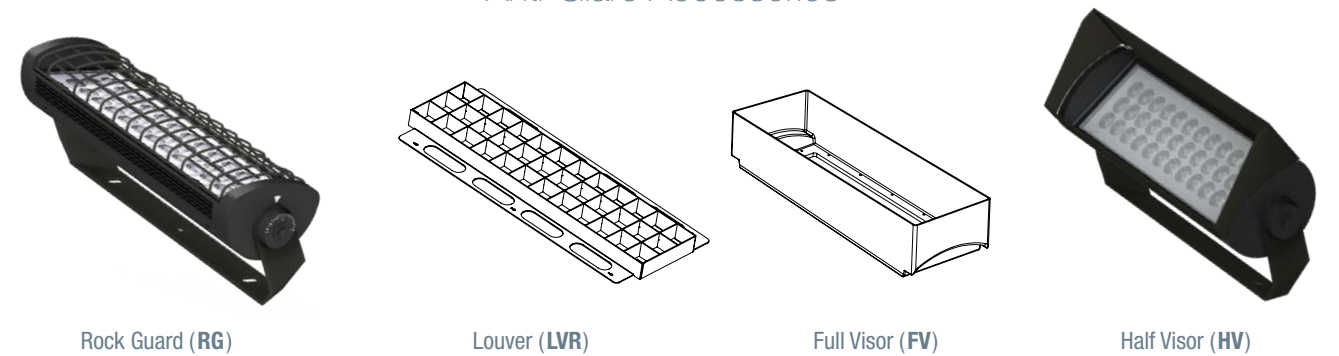


Shown with Spread Lens Holder **SPH**

The Lazer has a base 3° super-spot optic. Addition or wider optics require the SPH accessory.

- Required for these optics:
- 5°x50° Narrow Spot
 - 10° Narrow Flood
 - 10°x40° Mid Flood
 - 30° Wide Flood
 - 60° Full Flood

Anti-Glare Accessories



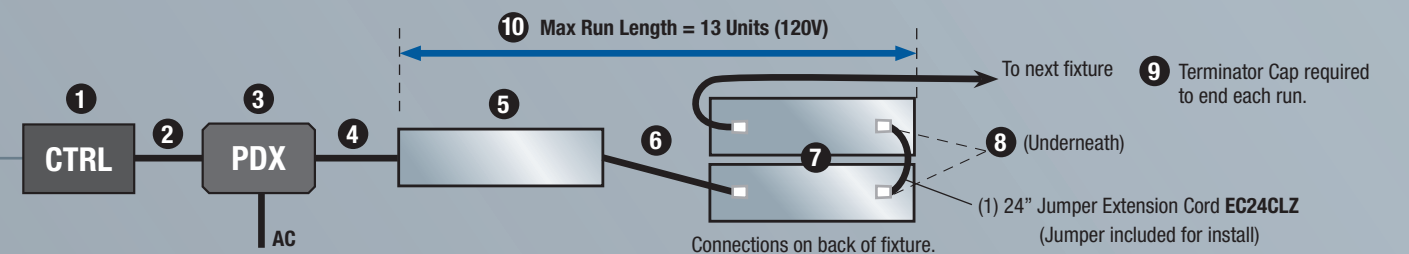
Rock Guard (**RG**)

Louver (**LVR**)

Full Visor (**FV**)

Half Visor (**HV**)

Dual Module Configuration Example



Applications

Wall Wash, Wall Grazer, Flood and Spot Flood are typical uses that can be applied to many projects ranging from buildings, stadiums and statues to parks, bridges, and tunnels.



Application Identification

1. Graze a vertical facade
2. Grazing or Washing peaks
3. Wall Wash large surfaces
4. Spot or Flood a focused area
5. Graze around skyscrapers
6. Illuminate long columns
7. Accentuate unique surfaces



ColourLine Lazer

Solid State Luminaires understands the design and application challenges required to achieve successful RGBW installations. The ColourLine Lazer is designed for large scale illumination projects using demanding color-changing specifications. Our team is ready to enhance your experience with next generation technology and support your needs for success.



Product Features



- Adjustable, incremental beam direction
- IP66 Exterior rated for extreme conditions
- DMX 512, RDM based control (ANSI E1.20)
- Latest ESTA RDM and ACN standards
- Sturdy construction and heavy-duty mounting yoke



- Rock guard, anti-glare louver and visors accessories
- Anti-reflective tempered glass lens (IK08 Impact Rating)
- Vibration resistant compliant with 3G ANSI C136.31
- Universal input voltage 120–277V AC
- Expandable Modular System (stack up to 3 modules per yoke)

- Standard 3° super-spot optic*
- Incl: 5°x50°, 10°, 10°x40°, 30°, 60°
- RGBW - 4.6 billion colors
- RGBA - Amber rich colors
- RGBW-TW - Tuneable White

* Native beam



ColourLine
Lazer

— RGBW —



CLZF-1M
RGBW

RGBW supports up to 4.6 billion colors available to use with ColourLine Lazer.

Like all ColourLine products any controllers that support the latest ESTA RDM and ACN standards will allow optimal control of the huge RGBW color spectrum. Regardless of the surface color you're casting light across, you'll be able to adjust color to capture your specific brand colors or add unique settings for subtle or intense color-changing hues.





ColourLine Lazer

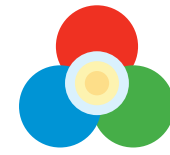
— **RGBA** —
Amber



CLZF-1M
RGBA

Amber is used in place of white in the RGBA color gamut. Adjusting to the lighter color spectrum adds warm tones of amber.

As subjective as color selection is, using amber for a more chromatically warmer color palette allows for a broader yellow color spectrum. The warm rich colors create a more inviting setting for night lighting applications. RGB alone will produce white and yellow but in a smaller color spectrum.



ColourLine Lazer

— **RGBW-TW** —
Tuneable White



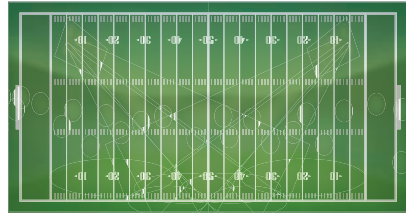
CLZF-1M
RGBW-TW

The addition of Tuneable White with RGBW-TW makes up a robust all-in-one luminaire.

Having an all-in-one fixture means full-color lighting control. The white Correlated Color Temperature (CCT) ranges from 2200K- 6000K. The RGBW still offers 4.6 billion colors. You can switch between full color and white CCT with any controllers that support the latest ESTA RDM and ACN standards.



How far does a 1-module Lazer reach?



Over 2 football fields.
(including endzones)



That's 14 trailer trucks ...



or 38 elephants,



47 Lamborghinis,



121 Darth Vaders,



1,286 bananas,



2,571 english muffins ...

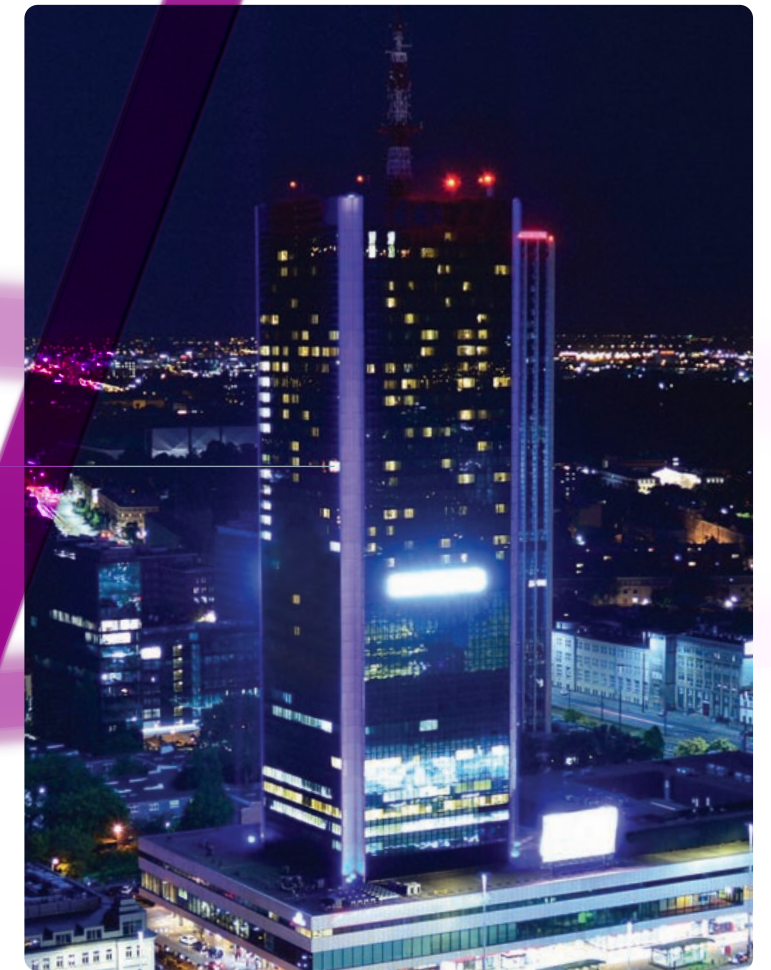


or 1 massive tower.

ColourLine Lazer Get Super-sized.

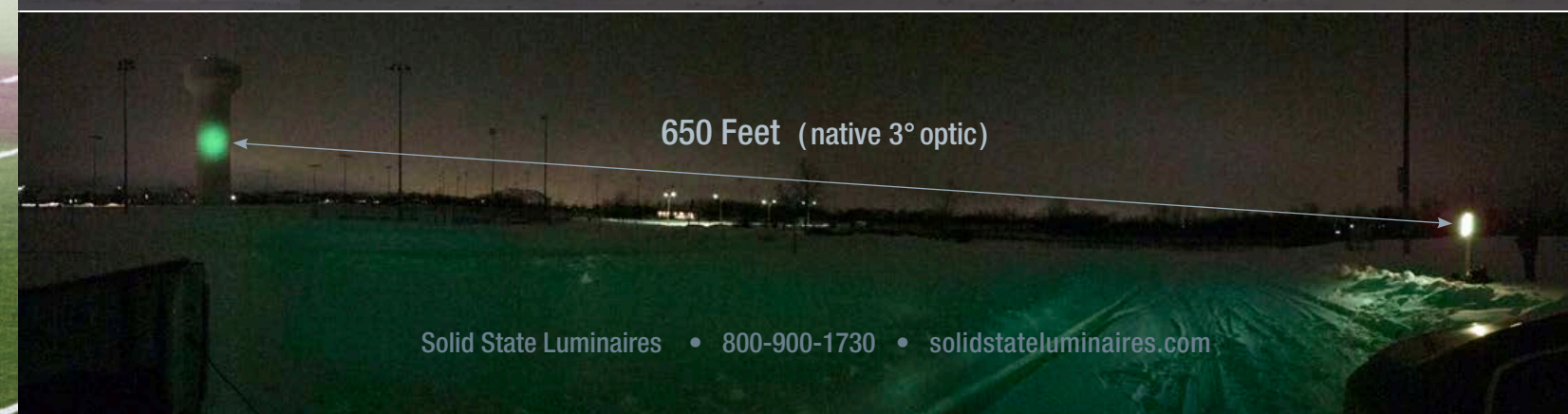
- 4650 Lumens (RGBW full on)
- 777,764 Candela (native 3° optic)

ColourLine Lazer can impressively
light architectural features of
skyscrapers twice as tall as this
40 story building.



LONG-CASTING OPTIC

The images below shows the ColourLine Lazer (single-module system)
casting a spot on water tower at 650 feet away using the standard 3° optic.





- 4.6 billion colors** - color match anything
- 65,536 dimming steps** - no low-end trim flickering
- 1:1 factory cloning** - calibrated for 1-step color consistency
- 6 DMX channels in 1** - 1-4 RGBW and 5-6 Tuneable White

ColourClone TRU-COLOR RGBW MATCHING



As part of our manufacturing process, SSL Automated Manufacturing Robots calibrate every fixture to the exact same X,Y color coordinates to provide Step-1 like consistency. This process enables every fixture to be an exact clone. At the end of the process, a bar code is generated for every board. This allows for exact matching for job add-ons or warranty replacements.

ColourSoft SMOOTH LOW-TRIM DIMMING



Standard dimming technology uses 8-bit resolution for 256 individual steps. Our 32-bit on-board MCU uses SSL developed software to provide 16-bit resolution that allows 65,536 steps of resolution and only use 8-bits of addressing space! We also use a logarithmic delineation of the resolution to concentrate in the lower third of the dimming curve so the low-end dimming and color transitions have zero flicker.

ColourMode RGBW & TUNEABLE WHITE IN ONE



SSL uses Digital Dual Mode (DDM) technology to provide RGBW and Tuneable White in one fixture! SSL firmware is designed to use 6 DMX channels in the DDM Personality Mode. Maximum Mood Enhancement is available to use for any type of environment. Channels 1-4 are reserved for RGBW. Channels 5-6 are used for White color tuning. Channel 5 controls intensity, channel 6 controls White color.

CONTROLLERS

The key to a successful RGBW installation is having the proper level of control. ColourLine RGBW luminaires are compatible with the highest industry standard controllers.

STANDARDS BASED

Solid State Luminaires line of RGBW products fully comply with the most up-to-date industry standards. The in-house developed RDM firmware is continually reviewed to keep up with the latest ESTA RDM and ACN standard released. This provides assurance that SSL RGBW products will inter-operate with all RDM controls, devices and fixtures in the market that comply to the standard.

Features

- Scalable for Large and Small Projects
- Most up-to-date industry standards
- Fixture Selection Control

ColourSelect Controller

- Small to Mid-size Projects
- 64 Available Presets
- 2 Universe Control
- Controller is RDM Compatible



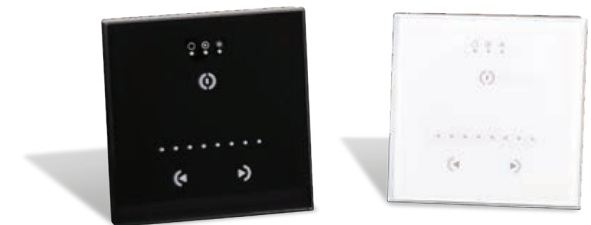
ColourSelect RGBW CONTROL



ColourLine RGBW products fully comply with the most up-to-date industry standards. The in-house developed RDM firmware is continually reviewed to keep up with the latest ESTA RDM and ACN standard released. This provides assurance that SSL RGBW products will inter-operate with all RDM controls, devices and fixtures in the market that comply to the standard.

Nicolaudie STICK-GU2 Controller

- Modern style in Black or White
- 3 Touch Sensitive Button Controls
- Can Store Up To 24 Scenes
- DMX Stand Alone (128 Channels)



Pharos Controller

- Scalable to Enterprise Size Projects
- Touch Panel Simplicity
- Capable of RGBW and 0-10V Dimming
- Integration & Design Services available



ColourLine Lazer

RGBW

Part of our **LAZER** series

SSL
solid state luminaires

solidstateluminaires.com

3609 Swenson Ave., St. Charles, IL 60174 • 800-900-1730