



SiteLite



InVision-1 / InVision-2 / InVision-4

Recessed Driveover Marker Light

- 3K or 4K uniform white light application
- Single, two-way and four-way directional output
- Die cast aluminum for maximum durability
- 120-240VAC line voltage connection
- 0-10V and DMX dimming options



Catalog Number

model	color temperature	finish	options	accessories
IV1	3K - Warm White	G - Green	BK - Black	SL - Silver
IV2	4K - Cool White	B - Blue	BZ - Bronze	WH - White
IV4	R - Red	CC - Custom Color	D - Dimming 0-10V	EMR - Emergency Backup-Remote (120V)
			DMX - DMX 512	EC - E-Coat

Specifications

item	specifications	details
Output	beam spread	N/A
	lumens	IV1 - 74 IV2 - 150 IV4 - 145
	LEDs	IV1 - 2 IV2 - 4 IV4 - 4
	driver efficiency	94%
	lifetime	> 60,000 hours / L70 or better
Color	lumen maintenance	meets Energy Star® lumen maintenance requirement
	color consistency / CRI	≤ 4 step MacAdam Ellipse, color corrected / CRI: ≥ 80
Electrical	color temperature	3K CCT, 4K CCT
	input voltage	120-240VAC
	power consumption	IV 1 - 4W IV2 - 7W IV4 - 7W
	RFI	EMC (compatible and resistant)
Control	reverse polarity protection	integral
	dimming	0-10V, DMX 512
Physical	power supply	Class II integral
	dimensions (h x ø)	IV1 - 5" x 6¼" IV2 - 5" x 6¼" IV4 - 5" x 6¼"
	weight	5 lbs
	housing	die cast aluminum
	lens	tempered glass
	junction temperature	83°C @ T _A 25°C
Documentation	operating temperature	-20°C to 50°C
	certifications	ETL / cETL
	standards	UL-Class I, IES LM-79, LM-80
Warranty	IP rating	IP65
	5 year limited warranty	See website for details



Construction

Marine grade, corrosion resistant, heavy walled, die cast aluminum construction. IP65 Rating. Lens is 1/8" thick, tempered, clear, heat resistant. Emergency battery backup remote up to 25W also available.

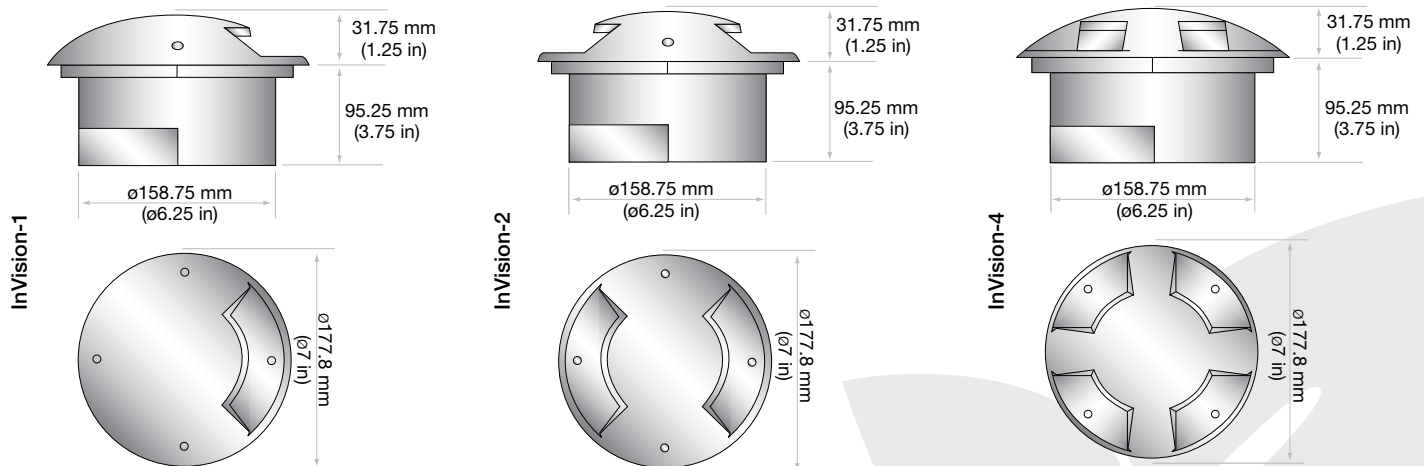
Power Supply Requirements

Integral inverter and driver with a variable input of voltage from 120-240V.



Δtolerance +/- 5%

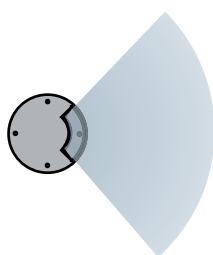
Dimensions



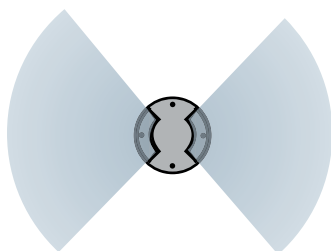
Performance

Model	Connected Wattage	Delivered Lumens	
		3K	4K
InVision-1	4	58	74
InVision-2	7	117	150
InVision-4	7	113	145

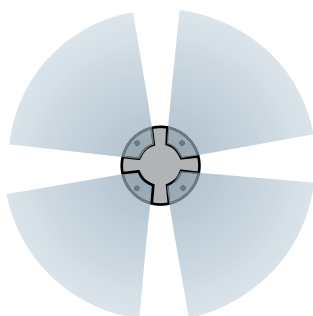
Orientation Options



InVision-1

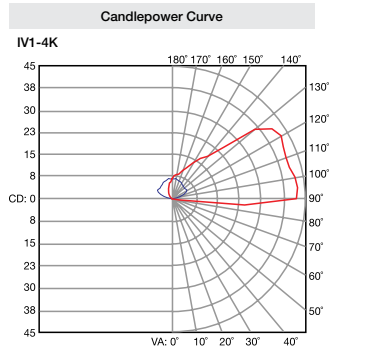


InVision-2



InVision-4

Photometry



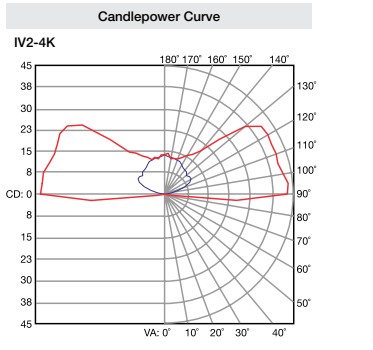
Zonal Lumen Summary

Zone	Lumens	%Lamp	%Luminaire
0-30	0	0%	0%
0-40	0	0%	0%
0-60	0	0%	0%
60-90	7	5%	9%
0-90	7	5%	9%
90-180	67	52%	91%
0-180	74	57%	100%

Efficiency Total: 57%

Lumens Per Zone

Zone	Lumens	%Total	Zone	Lumens	%Total
0-10	0	0%	90-100	12	9%
10-20	1	0%	100-110	10	8%
20-30	4	3%	110-120	8	6%
30-40	11	8%	120-130	5	4%
40-50	14	11%	130-140	3	2%
50-60	16	13%	140-150	2	1%
60-70	17	13%	150-160	1	1%
70-80	15	12%	160-170	0	0%
80-90	12	10%	170-180	0	0%



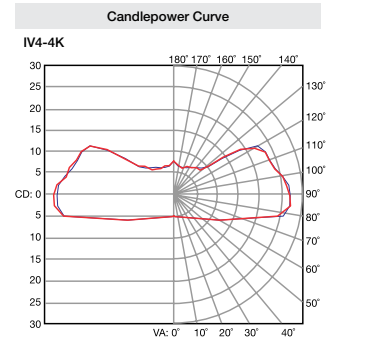
Zonal Lumen Summary

Zone	Lumens	%Lamp	%Luminaire
0-30	0	0%	0%
0-40	0	0%	0%
0-60	0	0%	0%
60-90	14	5%	9%
0-90	14	5%	9%
90-180	136	52%	91%
0-180	150	58%	100%

Efficiency Total: 58%

Zonal Lumen Summary

Zone	Lumens	%Total	Zone	Lumens	%Total
0-10	0	0%	90-100	12	9%
10-20	1	0%	100-110	10	8%
20-30	4	3%	110-120	8	6%
30-40	11	8%	120-130	5	4%
40-50	14	11%	130-140	3	2%
50-60	16	13%	140-150	2	1%
60-70	17	13%	150-160	1	1%
70-80	15	12%	160-170	0	0%
80-90	12	10%	170-180	0	0%



Zonal Lumen Summary

Zone	Lumens	%Lamp	%Luminaire
0-30	0	0%	0%
0-40	0	0%	0%
0-60	0	0%	0%
60-90	11	4%	8%
0-90	11	4%	8%
90-180	134	52%	92%
0-180	145	56%	100%

Efficiency Total: 56%

Zonal Lumen Summary

Zone	Lumens	%Total	Zone	Lumens	%Total
0-10	0	0%	90-100	12	9%
10-20	1	0%	100-110	10	8%
20-30	4	3%	110-120	8	6%
30-40	11	8%	120-130	5	4%
40-50	14	11%	130-140	3	2%
50-60	16	13%	140-150	2	1%
60-70	17	13%	150-160	1	1%
70-80	15	12%	160-170	0	0%
80-90	12	10%	170-180	0	0%



RunwayLite

Pathway Low Level Marker Light

- 3K or 4K uniform white light application
- Symmetrical distribution for maximum spacing and uniformity
- Die cast aluminum for maximum durability
- Four standard colors and custom finish
- 120-240VAC line voltage connection



Catalog Number

model	color temperature	finish	options	accessories
RNWYL	3K - Warm White 4K - Cool White	BK - Black BZ - Bronze CC - Custom Color SL - Silver WH - White	EC - E-Coat CS - Custom Shield (consult factory)	EMR - Emergency Backup-Remote (120V)

Specifications

item	specifications	details
Output	beam spread	360°
	lumens	570
	LEDs	9
	driver efficiency	93%
	lifetime	> 60,000 hours / L70 or better
Color	lumen maintenance	meets Energy Star® lumen maintenance requirement
	color consistency / CRI	≤ 4 step MacAdam Ellipse / CRI: ≥ 80
	color temperature	3K CCT, 4K CCT
Electrical	input voltage	120-240VDC
	power consumption	17W
	RFI	EMC (compatible and resistant)
	reverse polarity protection	integral
Control	power supply	constant current
Physical	dimensions (h x id x ø)	9 5/8" x 8" x 10 1/4"
	weight	14 lbs
	housing	die cast aluminum
	lens	tempered glass
	junction temperature	71°C @ T _A 25°C
	operating temperature	-20°C to 50°C
Documentation	certifications	ETL / cETL
	standards	UL-Class I, IES LM-79, LM-80
	IP rating	IP65
Warranty	5 year limited warranty	See website for details



Construction

Marine grade, corrosion resistant, heavy walled, high pressure die cast aluminum construction. Listed for wet locations. Impact resistant, UV stabilized, opal, polycarbonate diffuser. Emergency battery backup remote up to 25W also available.

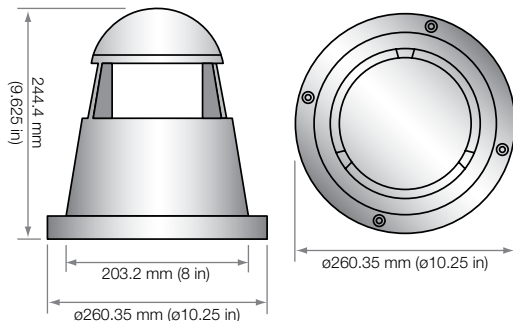
Power Supply Requirements

Integral inverter and driver potted with a variable input of voltage from 120-240V. *Consult Power Supply section.*

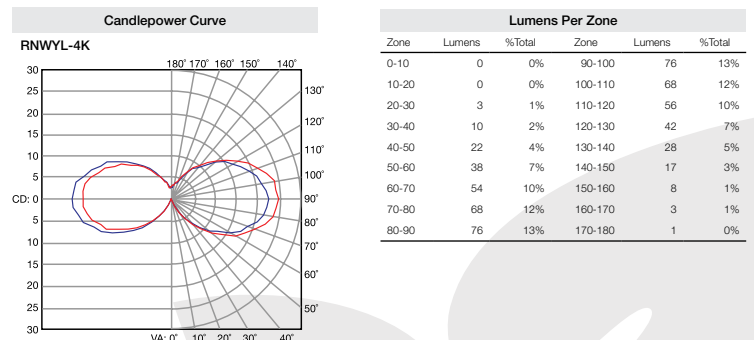


*tolerance +/- 5%

Dimensions



Photometry





AlumLite

Outdoor Pathway Bollard

- 3K or 4K uniform white light application
- Symmetrical distribution for maximum spacing and uniformity
- Extruded aluminum for maximum durability
- Four standard colors and custom finish
- 120-277VAC line voltage connection
- 0-10V and DMX dimming options



SiteLite Series AlumLite

Catalog Number

model	color temperature	finish	options	accessories
ALML	3K - Warm White 4K - Cool White	BK - Black BZ - Bronze CC - Custom Color SL - Silver WH - White	D - Dimming DMX - DMX 512 EC - E-Coat	EMR - Emergency Backup-Remote (120V)

Specifications

item	specifications	details
Output	beam spread	symmetrical
	lumens	835
	LEDs	9
	driver efficiency	93%
	lifetime	> 60,000 hours / L70 or better
Color	lumen maintenance	meets Energy Star® lumen maintenance requirement
	color consistency / CRI	≤ 4 step MacAdam Ellipse / CRI: ≥ 80
Electrical	color temperature	3K CCT, 4K CCT
	input voltage	120-277VDC
Control	power consumption	18W
	RFI	EMC (compatible and resistant)
	reverse polarity protection	integral
Physical	dimming	0-10V, DMX 512
	power supply	constant current
	dimensions (h x ø)	39 3/8" x 7"
	weight	16 lbs.
	housing	extruded and die cast aluminum
	lens	polycarbonate
Documentation	junction temperature	71°C @ T _A 25°C
	operating temperature	-20°C to 50°C
	certifications	ETL / cETL
Warranty	standards	UL-Class II, IES LM-79, LM-80
	IP rating	IP65
Warranty	5 year limited warranty	See website for details



Construction

Marine grade, corrosion resistant, heavy walled, high pressure die cast aluminum construction. Extruded aluminum tubular housing. Impact resistant, UV stabilized, clear, polycarbonate diffuser. Emergency battery backup remote up to 25W also available.

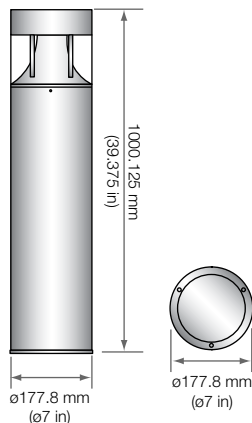
Power Supply Requirements

Integral inverter and driver with a variable input of voltage from 120-277V.

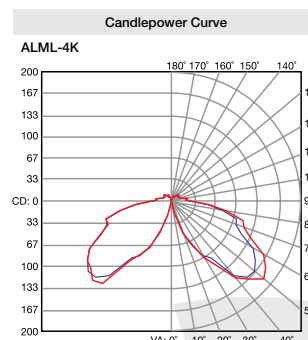


*tolerance +/- 5%

Dimensions



Photometry



Lumens Per Zone					
Zone	Lumens	%Total	Zone	Lumens	%Total
0-10	0.0	0%	90-100	29	4%
10-20	8	1%	100-110	21	3%
20-30	37	5%	110-120	15	2%
30-40	81	10%	120-130	12	2%
40-50	138	17%	130-140	11	1%
50-60	155	19%	140-150	7	1%
60-70	134	16%	150-160	5	1%
70-80	114	14%	160-170	2	0%
80-90	65	8%	170-180	0.0	0%



MicroScope

Wide Range Landscape Accent Spot Light

- 3K or 4K uniform white light application
- 12° spot distribution
- Red, Green, Blue or Amber single color light application
- Die cast aluminum construction for long lasting performance
- 20-24VDC Class II power operation
- 0-10V, DMX or RMD dimming control options



Catalog Number

model	color temperature	optics	options
MS			
	3K - Warm White 4K - Cool White R - Red	12 - 12° Grazer 120 - 120° Wash	D - Dimming 0-10V DMX - DMX 512 RMD - RMD Dimming
	G - Green B - Blue A - Amber		

Specifications

item	specifications	details
Output	beam spread	12° / 120°
	lumens	111
	LEDs	1
	driver efficiency	≥ 92%
	lifetime	> 60,000 hours / L70 or better
Color	lumen maintenance	meets Energy Star® lumen maintenance requirement
	color consistency / CRI	≤ 4 step MacAdam Ellipse / CRI: ≥ 80
	color temperature	3K CCT, 4K CCT, Color
Electrical	input voltage	12VAC or 24VDC
	power consumption	3W
	RFI	EMC (compatible and resistant)
	reverse polarity protection	integral
Control	dimming	0-10V, DMX 512, RMD
	remote power AC	120' (w/ 10 AWG)
Physical	dimensions (h x w x ø)	2.5" x 1.8" x 1.4"
	weight	¼ lbs
	housing	die cast aluminum
	lens	tempered glass
	junction temperature	75°C @ T _A 25°C
Documentation	operating temperature	-20°C to 50°C
	certifications	ETL / cETL
	standards	UL-Class II, IES LM-79, LM-80
Warranty	IP rating	IP67
	5 year limited warranty	See website for details



Construction

Die cast aluminum housing, trim and mounting pad with clear, tempered glass. Surface mounted. Rotates 350° and tilts 80°.

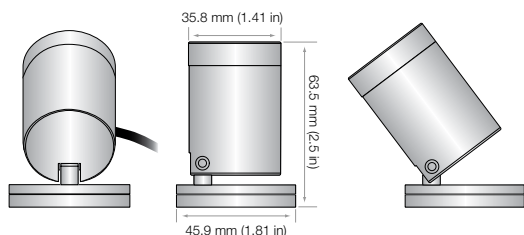
Power Supply Requirements

Class II internally regulated for operation on external 12-24VDC input. 20" power cord is standard. Use PX-325/PXI-310/PXO-330 for DC power input. Power supplies and controllers are specified separately. Consult Power Supply section.

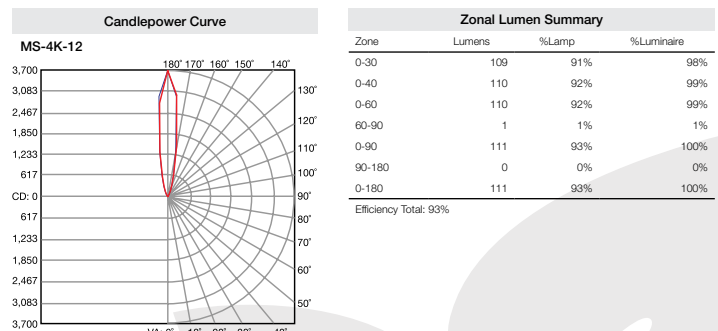


*tolerance +/- 5%

Dimensions



Photometry








TerraScape

Durable Landscape Accent Light

- 3K or 4K uniform white light application
- Sealed 15° spot, 25° narrow flood and 40° flood distributions
- Optional 7W or 11W to suit intensity needs
- Die cast aluminum construction for long lasting performance
- 110VAC 240VAC power connection requires no remote power supply



Catalog Number

model	color temperature	optics
		
TS1	3K - Warm White	SP - 15° Spot
TS2	4K - Cool White	NFL - 25° Narrow Flood
		FL - 40° Flood

Specifications

item	specifications	details
Output	beam spread	15° spot, 25° narrow flood, 40° flood
	lumens	TS1 - 339 TS2 - 541
	LEDs	TS1 - 3 TS2 - 5
	driver efficiency	≥ 92%
	lifetime	> 60,000 hours / L70 or better
	lumen maintenance	meets Energy Star® lumen maintenance requirement
Color	color consistency / CRI	≤ 4 step MacAdam Ellipse / CRI: ≥ 80
	color temperature	3K CCT, 4K CCT
Electrical	input voltage	110VAV 249VAC
	power consumption	TS1 - 7W TS2 - 11W
	RFI	EMC (compatible and resistant)
	reverse polarity protection	integral
Control	dimming	not available
	remote power supply	not available
Physical	dimensions (w x h x ø)	TS1 - 4" x 3" x 2.2" TS2 - 4.6" x 2.7" x 2.6"
	weight	TS1 - 3 lbs TS2 - 4 lbs
	housing	die cast aluminum, extruded aluminum
	lens	tempered glass
	junction temperature	81°C @ T _A 25°C
	operating temperature	-20°C-50°C
Documentation	certifications	ETL / cETL
	standards	UL-Class I, IES LM-79, LM-80
	IP rating	IP65
Warranty	5 year limited warranty	See website for details



Construction

Die cast aluminum housing, trim and mounting pad with clear, tempered glass. Surface mounted.

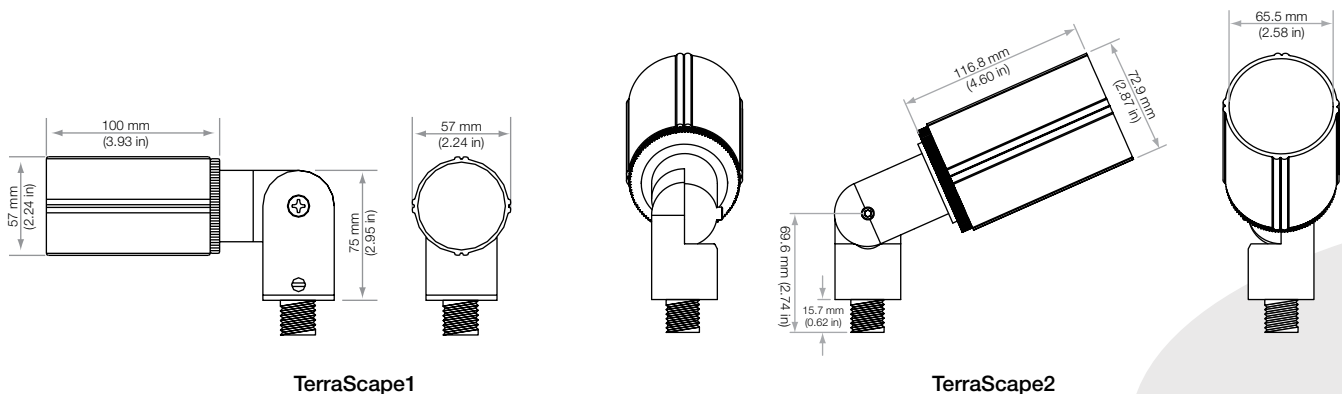
Power Supply Requirements

Class II internally regulated for operation on external 120-240VAC input. 20" power cord is standard.



Δtolerance +/- 5%

Dimensions

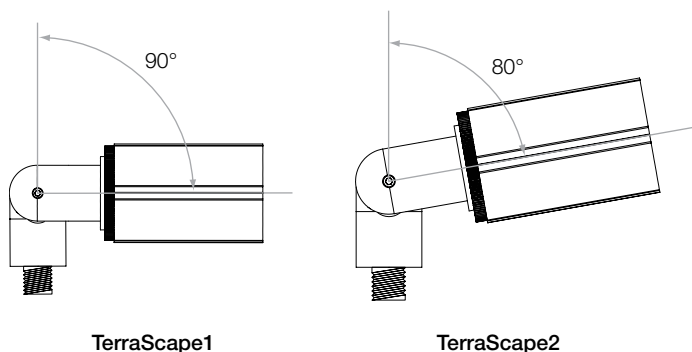
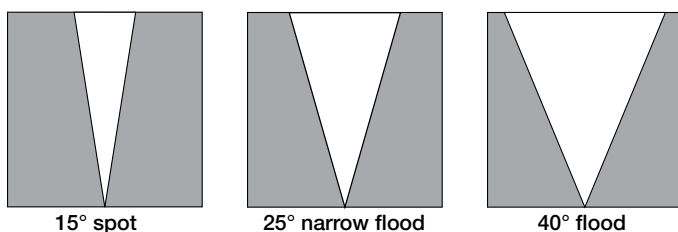


Performance

Model	Connected Wattage	Delivered Lumens	
		3K	4K
TerraScape1	7	264	341
TerraScape2	11	414	531

Δbased on 85% efficient power supply

Optics



System Efficacy to

The efficacy of the Calculite LED system exceeds that of conventional sources. While a 26W compact fluorescent lamp generates 1800 lumens, the fixture itself may translate only 50% of those lumens into functional light. Calculite's solid-state downlight converts 20W of energy into 1000 fixture lumens, or 50 lumens per watt.

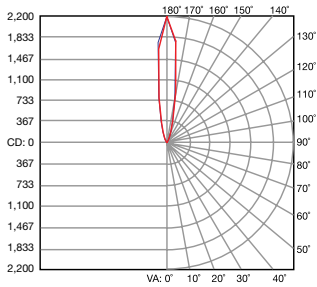
Product	Initial Performance			Mean Performance			
	Fixture Lumens	Fixture Watts	Fixture Efficacy	Fixture Lumens	Fixture Watts	Fixture Efficacy	
SSL	TS1-3K-NFL	339	7	48.4	288	7	41.1
	TS2-3K-NFL	531	11	48.3	451	11	41.0
Conv.	20W MR16 NFL Landscape	289	20	14.5	260	20	13.0
	35W MR16 NFL Landscape	505	35	14.4	454	35	13.0

Linear
Power/Control
Downlite
Deco
Stepite
InGrade
Stelite
210

Photometry

Candlepower Curve

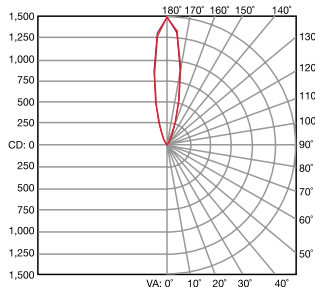
TS1-4K-SP



Lumens Per Zone					
Zone	Lumens	%Total	Zone	Lumens	%Total
0-10	0	0%	90-100	0	0%
10-20	0	0%	100-110	0	0%
20-30	0	0%	110-120	1	0%
30-40	0	0%	120-130	2	1%
40-50	0	0%	130-140	10	0%
50-60	0	0%	140-150	24	3%
60-70	0	0%	150-160	54	24%
70-80	0	0%	160-170	120	46%
80-90	0	0%	170-180	128	25%

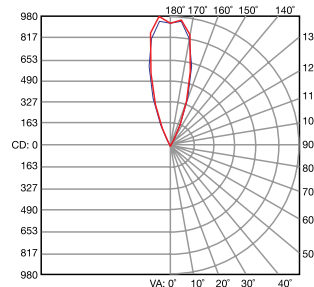
Candlepower Curve

TS1-4K-NFL



Lumens Per Zone					
Zone	Lumens	%Total	Zone	Lumens	%Total
0-10	0	0%	90-100	0	0%
10-20	0	0%	100-110	0	0%
20-30	0	0%	110-120	0	0%
30-40	0	0%	120-130	1	0%
40-50	0	0%	130-140	9	3%
50-60	0	0%	140-150	28	8%
60-70	0	0%	150-160	65	19%
70-80	0	0%	160-170	135	40%
80-90	0	0%	170-180	101	30%

Candlepower Curve



Lumens Per Zone					
Zone	Lumens	%Total	Zone	Lumens	%Total
0-10	0	0%	90-100	1	0%
10-20	0	0%	100-110	1	0%
20-30	0	0%	110-120	1	0%
30-40	0	0%	120-130	2	1%
40-50	0	0%	130-140	1	0%
50-60	0	0%	140-150	12	3%
60-70	0	0%	150-160	81	24%
70-80	0	0%	160-170	155	46%
80-90	0	0%	170-180	84	25%

Illuminance at a Distance

Distance	Center Beam fc	Beam Width
6 ft	60 fc	2 ft 4 ft
5 ft	87 fc	2 ft 4 ft
4 ft	135 fc	1 ft 3 ft
3 ft	241 fc	1 ft 2 ft
2 ft	542 fc	0.6 ft 1 ft
1 ft	2,168 fc	0.3 ft 1 ft

• Beam Spread: 17° • Field Angle: 39°

Δwarm white calculated at 78% of output

Illuminance at a Distance

Distance	Center Beam fc	Beam Width
6 ft	39 fc	3 ft 6 ft
5 ft	56 fc	2 ft 5 ft
4 ft	88 fc	2 ft 4 ft
3 ft	156 fc	1 ft 3 ft
2 ft	351 fc	1 ft 2 ft
1 ft	1,405 fc	0.4 ft 1 ft

• Beam Spread: 23° • Field Angle: 49°

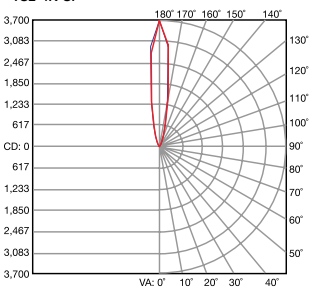
Illuminance at a Distance

Distance	Center Beam fc	Beam Width
6 ft	25 fc	4 ft 6 ft
5 ft	36 fc	3 ft 5 ft
4 ft	57 fc	2 ft 4 ft
3 ft	101 fc	2 ft 3 ft
2 ft	227 fc	1 ft 2 ft
1 ft	909 fc	1 ft 1 ft

• Beam Spread: 34° • Field Angle: 55°

Candlepower Curve

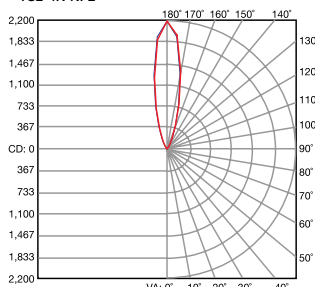
TS2-4K-SP



Lumens Per Zone					
Zone	Lumens	%Total	Zone	Lumens	%Total
0-10	0	0%	90-100	0	0%
10-20	0	0%	100-110	0	0%
20-30	0	0%	110-120	0	0%
30-40	0	0%	120-130	0	0%
40-50	0	0%	130-140	7	1%
50-60	0	0%	140-150	32	6%
60-70	0	0%	150-160	87	16%
70-80	0	0%	160-170	192	36%
80-90	0	0%	170-180	215	40%

Candlepower Curve

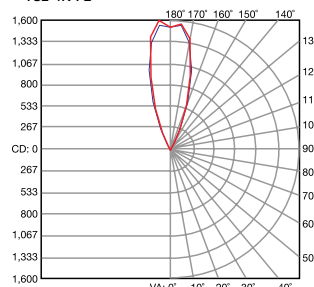
TS2-4K-NFL



Lumens Per Zone					
Zone	Lumens	%Total	Zone	Lumens	%Total
0-10	0	0%	90-100	0	0%
10-20	0	0%	100-110	0	0%
20-30	0	0%	110-120	0	0%
30-40	0	0%	120-130	2	0%
40-50	0	0%	130-140	13	2%
50-60	0	0%	140-150	43	8%
60-70	0	0%	150-160	106	20%
70-80	0	0%	160-170	211	40%
80-90	0	0%	170-180	157	30%

Candlepower Curve

TS2-4K-FL



Lumens Per Zone					
Zone	Lumens	%Total	Zone	Lumens	%Total
0-10	0	0%	90-100	1	0%
10-20	0	0%	100-110	2	0%
20-30	0	0%	110-120	2	0%
30-40	0	0%	120-130	3	1%
40-50	0	0%	130-140	2	0%
50-60	0	0%	140-150	19	3%
60-70	0	0%	150-160	130	24%
70-80	0	0%	160-170	249	46%
80-90	0	0%	170-180	133	25%

Illuminance at a Distance

Distance	Center Beam fc	Beam Width
6 ft	101 fc	2 ft 4 ft
5 ft	145 fc	2 ft 3 ft
4 ft	227 fc	1 ft 3 ft
3 ft	403 fc	1 ft 2 ft
2 ft	907 fc	1 ft 1 ft
1 ft	3,628 fc	0.3 ft 1 ft

• Beam Spread: 17° • Field Angle: 39°

Δwarm white calculated at 78% of output

Illuminance at a Distance

Distance	Center Beam fc	Beam Width
6 ft	60 fc	3 ft 6 ft
5 ft	86 fc	2 ft 5 ft
4 ft	135 fc	2 ft 4 ft
3 ft	240 fc	1 ft 3 ft
2 ft	540 fc	1 ft 2 ft
1 ft	2,159 fc	0.4 ft 1 ft

• Beam Spread: 24° • Field Angle: 49°

Illuminance at a Distance

Distance	Center Beam fc	Beam Width
6 ft	40 fc	4 ft 6 ft
5 ft	58 fc	3 ft 5 ft
4 ft	91 fc	2 ft 4 ft
3 ft	162 fc	2 ft 3 ft
2 ft	364 fc	1 ft 2 ft
1 ft	1,454 fc	0.6 ft 1 ft

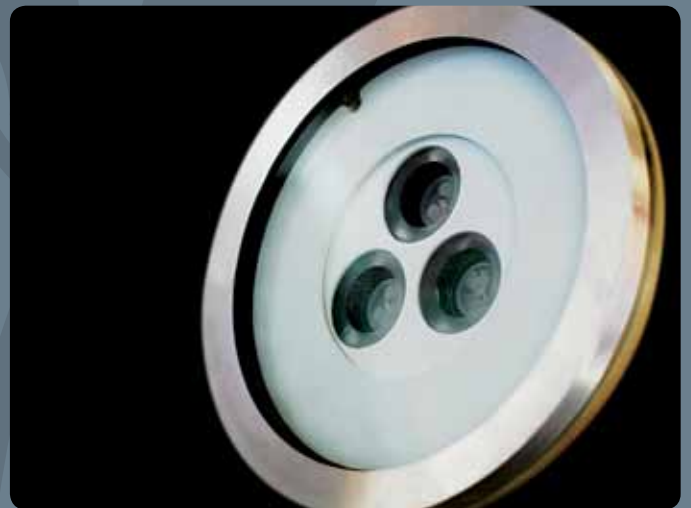
• Beam Spread: 34° • Field Angle: 55°



AquaScope

High Power Copper Submersible Water Effects Light

- RGB Color and 3K or 4K uniform white light application
- 15° spot, 25° narrow flood and 40° flood distributions
- Solid copper construction to withstand extreme conditions
- Fully sealed enclosure for optimal protection from water infiltration
- 12-24VDC Class II power operation
- 0-10V, DMX or RMD dimming control options
- Rated IP68 for underwater use



Catalog Number

model	color temperature	optics	options	accessories
AS	3K - Warm White 4K - Cool White RGB - RGB	SP - 15° Spot NFL - 25° Narrow Flood FL - 40° Flood	D - Dimming 0-10V DMX - DMX 512 RMD - RMD Dimming	EMR - Emergency Backup-Remote (120V)

Specifications

item	specifications	details
Output	beam spread	15° spot, 25° narrow flood, 40° flood
	lumens	1006
	LEDs	9
	driver efficiency	≥ 94%
	lifetime	> 60,000 hours / L70 or better
Color	lumen maintenance	meets Energy Star® lumen maintenance requirement
	color consistency / CRI	≤ 4 step MacAdam Ellipse / CRI: ≥ 80
Electrical	color temperature	3K CCT, 4K CCT, RGB
	input voltage	12V-24VDC
	power consumption	17W
	RFI	EMC (compatible and resistant)
Control	reverse polarity protection	integral
	dimming	0-10V, DMX 512, RDM
Physical	power supply	Class II
	dimensions (h x ø x id)	1.8" x 7" x 2"
	weight	14 lbs
	housing	die cast brass
	lens	tempered glass
	junction temperature	60°C @ T _A 25°C in water
Documentation	operating temperature	-10°C to 40°C
	certifications	ETL / cETL
	standards	UL-Class II, IES LM-79, LM-80
Warranty	IP rating	IP68
	5 year limited warranty	See website for details



Construction

Die cast copper housing and copper trim; stainless steel screw; tempered glass. Surface mount directly to water feature. Fits PAR56 underwater housings. Includes custom microprocessor that senses a higher junction temperature (when luminaire is not submerged in water), reducing power by 50% to save life of LED and luminaire. Emergency battery backup remote up to 25W also available.

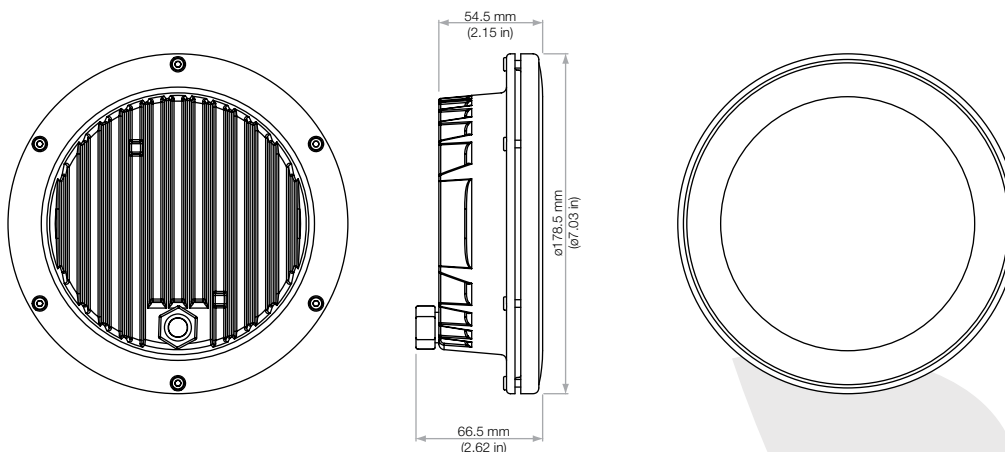
Power Supply Requirements

Class II, internally regulated for operation on external 12-24VDC input. Power supplies and controllers are specified separately. Consult Power Supply section.



Δtolerance +/- 5%

Dimensions



Performance

Model	Connected Wattage	Delivered Lumens		
		3K	4K	RGB
AquaScape	17	784	1006	444

Δbased on 85% efficient power supply
 Δbased on RGB full power 42% of output

Optics



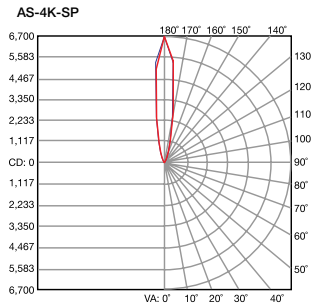
15° spot

25° narrow flood

40° flood

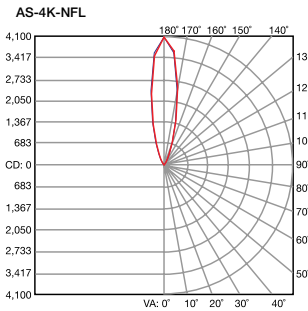
Photometry

Candlepower Curve



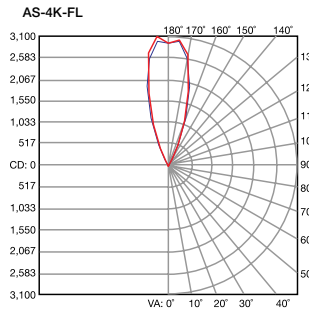
Lumens Per Zone					
Zone	Lumens	%Total	Zone	Lumens	%Total
0-10	0	0%	90-100	0	0%
10-20	0	0%	100-110	0	0%
20-30	0	0%	110-120	0	0%
30-40	0	0%	120-130	0	0%
40-50	0	0%	130-140	13	1%
50-60	0	0%	140-150	59	6%
60-70	0	0%	150-160	160	16%
70-80	0	0%	160-170	354	36%
80-90	0	0%	170-180	398	40%

Candlepower Curve



Lumens Per Zone					
Zone	Lumens	%Total	Zone	Lumens	%Total
0-10	0	0%	90-100	0	0%
10-20	0	0%	100-110	0	0%
20-30	0	0%	110-120	0	0%
30-40	0	0%	120-130	4	0%
40-50	0	0%	130-140	23	2%
50-60	0	0%	140-150	80	8%
60-70	0	0%	150-160	199	20%
70-80	0	0%	160-170	395	40%
80-90	0	0%	170-180	294	30%

Candlepower Curve



Lumens Per Zone					
Zone	Lumens	%Total	Zone	Lumens	%Total
0-10	0	0%	90-100	3	0%
10-20	0	0%	100-110	5	0%
20-30	0	0%	110-120	5	1%
30-40	0	0%	120-130	5	1%
40-50	0	0%	130-140	3	0%
50-60	0	0%	140-150	35	3%
60-70	0	0%	150-160	252	24%
70-80	0	0%	160-170	496	46%
80-90	1	0%	170-180	261	25%

Illuminance at a Distance

Distance	Beam Spread: 17°		Field Angle: 39°	
	Center Beam fc	Beam Width	Center Beam fc	Beam Width
6 ft	186 fc	2 ft 4 ft		
5 ft	268 fc	2 ft 4 ft		
4 ft	418 fc	1 ft 3 ft		
3 ft	744 fc	1 ft 2 ft		
2 ft	1,673 fc	0.6 ft 1 ft		
1 ft	6,693 fc	0.3 ft 0.7 ft		

● Beam Spread: 17° ● Field Angle: 39°

Δwarm white calculated at 78% of output

ΔRGB calculated at 42% of output

Illuminance at a Distance

Distance	Beam Spread: 24°		Field Angle: 49°	
	Center Beam fc	Beam Width	Center Beam fc	Beam Width
6 ft	113 fc	3 ft 6 ft		
5 ft	162 fc	2 ft 5 ft		
4 ft	253 fc	2 ft 4 ft		
3 ft	450 fc	1 ft 3 ft		
2 ft	1,013 fc	1 ft 2 ft		
1 ft	4,054 fc	0.4 ft 1 ft		

● Beam Spread: 24° ● Field Angle: 49°

Illuminance at a Distance

Distance	Beam Spread: 34°		Field Angle: 55°	
	Center Beam fc	Beam Width	Center Beam fc	Beam Width
6 ft	79 fc	4 ft 6 ft		
5 ft	114 fc	3 ft 5 ft		
4 ft	178 fc	2 ft 4 ft		
3 ft	316 fc	2 ft 3 ft		
2 ft	711 fc	1 ft 2 ft		
1 ft	2,843 fc	0.6 ft 1 ft		

● Beam Spread: 34° ● Field Angle: 55°

Linear

Power/Control

Downlite

Deco

Steplite

InGrade

Sitelite

215



SeaScape

Submersible Water Effects Light

- RGB Color and 3K or 4K uniform white light application
- 15° spot, 25° narrow flood and 40° flood distributions
- Solid copper construction to withstand extreme conditions
- Fully sealed enclosure for optimal protection IP68
- 20-24VDC Class II power operation
- 0-10V, DMX or RMD dimming control options
- Fits standard 2" sprinkler head



Catalog Number

model	color temperature	optics	options	accessories
SS	3K - Warm White 4K - Cool White RGB - RGB	SP - 15° Spot NFL - 25° Narrow Flood FL - 40° Flood	D - Dimming 0-10V DMX - DMX 512 RMD - RMD Dimming	EMR - Emergency Backup-Remote (120V)

Specifications

item	specifications	details
Output	beam spread	15° spot, 25° narrow flood, 40° flood
	lumens	1006
	LEDs	9
	driver efficiency	≥ 91%
	lifetime	> 60,000 hours / L70 or better
Color	lumen maintenance	meets Energy Star® lumen maintenance requirement
	color consistency / CRI	≤ 4 step MacAdam Ellipse / CRI: ≥ 80
	color temperature	3K CCT, 4K CCT, RGB
Electrical	input voltage	20-24VDC
	power consumption	17W
	RFI	EMC (compatible and resistant)
	reverse polarity protection	integral
Control	dimming	0-10V, DMX 512, RDM
	power supply	Class II
Physical	dimensions (h x ø x id)	1.8" x 7" x 2"
	weight	14 lbs
	housing	die cast brass
	lens	tempered glass
	junction temperature	60°C @ T _A 25°C in water
	operating temperature	-20°C to 50°C
Documentation	certifications	ETL / cETL
	standards	UL-Class II, IES LM-79, LM-80
	IP rating	IP68
Warranty	5 year limited warranty	See website for details



Construction

Die cast copper housing and trim with stainless steel screws and tempered glass. Surface mount directly to water feature. Fits over standard 2 inch fountain head. Includes custom microprocessor that senses a higher junction temperature (when luminaire is not submerged in water), reducing power by 50% to save life of LED and luminaire. Emergency battery backup remote up to 25W also available.

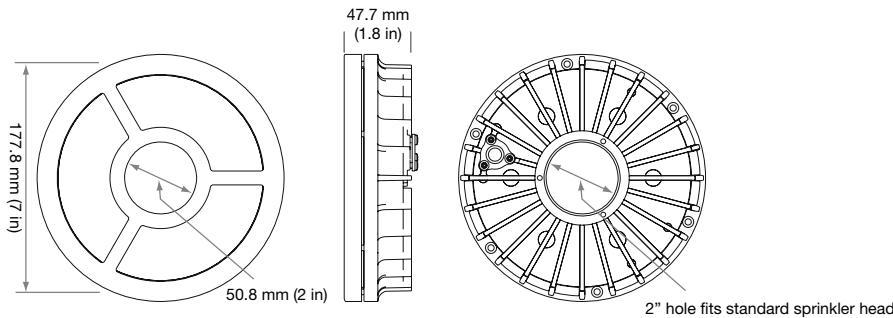
Power Supply Requirements

Class II internally regulated for operation on external 20-240VDC input. Power supplies and controllers are specified separately. Consult Power Supply section.



Δtolerance +/- 5%

Dimensions

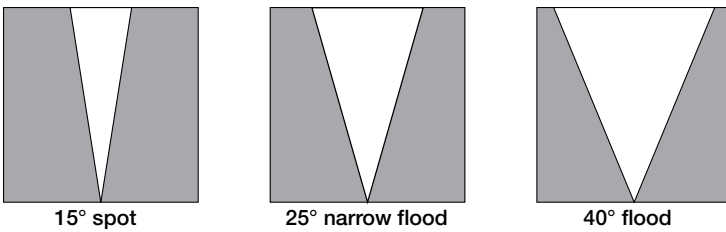


Performance

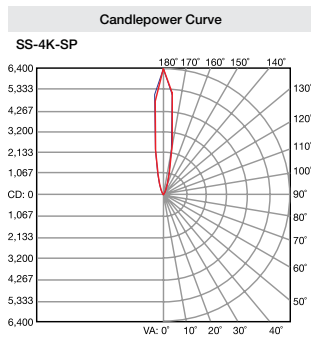
Model	Connected Wattage	Delivered Lumens		
		3K	4K	RGB
SeaScape	17	784	1006	423

Δbased on 85% efficient power supply
 Δbased on RGB full power 42% of output

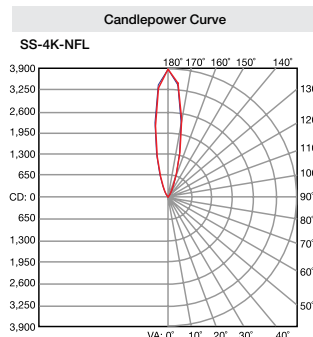
Optics



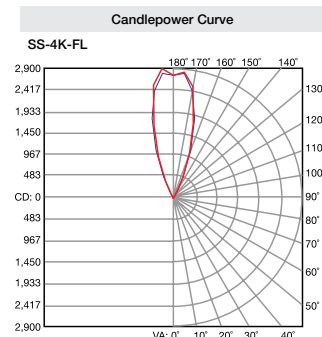
Photometry



Lumens Per Zone					
Zone	Lumens	%Total	Zone	Lumens	%Total
0-10	0	0%	90-100	0	0%
10-20	0	0%	100-110	0	0%
20-30	0	0%	110-120	0	0%
30-40	0	0%	120-130	0	0%
40-50	0	0%	130-140	12	1%
50-60	0	0%	140-150	56	6%
60-70	0	0%	150-160	153	16%
70-80	0	0%	160-170	339	36%
80-90	0	0%	170-180	379	40%



Lumens Per Zone					
Zone	Lumens	%Total	Zone	Lumens	%Total
0-10	0	0%	90-100	0	0%
10-20	0	0%	100-110	0	0%
20-30	0	0%	110-120	0	0%
30-40	0	0%	120-130	4	0%
40-50	0	0%	130-140	2	2%
50-60	0	0%	140-150	77	8%
60-70	0	0%	150-160	189	20%
70-80	0	0%	160-170	377	40%
80-90	0	0%	170-180	280	30%



Lumens Per Zone					
Zone	Lumens	%Total	Zone	Lumens	%Total
0-10	0	0%	90-100	3	0%
10-20	0	0%	100-110	5	0%
20-30	0	0%	110-120	5	1%
30-40	0	0%	120-130	5	1%
40-50	0	0%	130-140	3	0%
50-60	0	0%	140-150	34	3%
60-70	0	0%	150-160	240	24%
70-80	0	0%	160-170	463	46%
80-90	1	0%	170-180	249	25%

